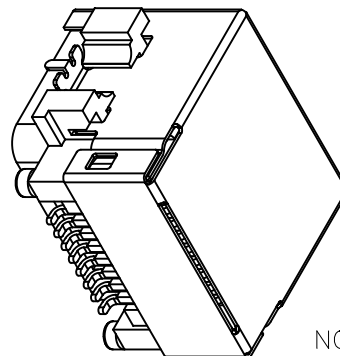
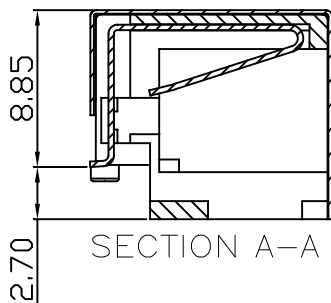
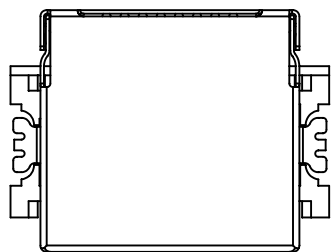
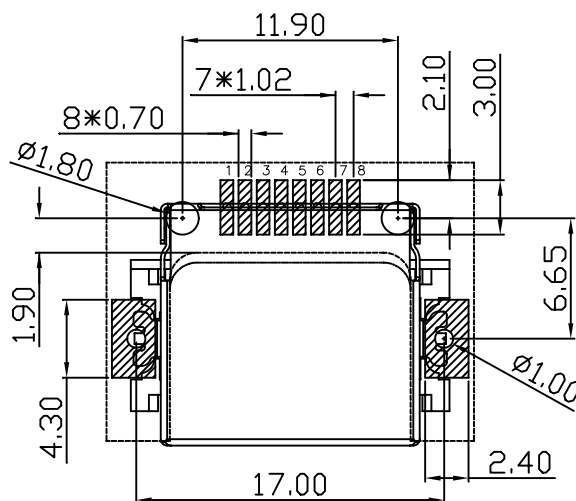
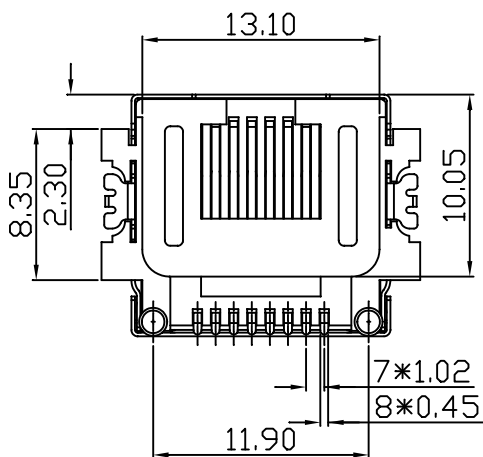
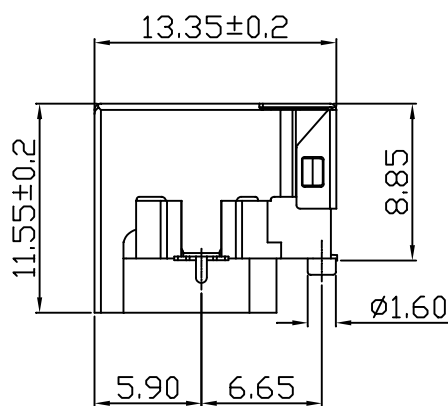
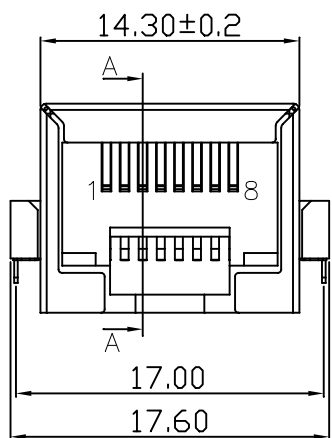


RoHS 2.0

REV.	ECN NO.	DESCRIPTION	DATE	DESIGN
A1.	/.	重新校对图面	21.01.11	LiHui



3D VIEW



▨ PAD AREA (TOP VIEW)

NOTES:

- MATERIAL:
  - HOUSING: LCP ,COLOR IS GRAY;
  - CONTACT: PHOSPHOR COPPER (C5191 T=0.30mm) ;
  - SHELL: BRASS (H65 T=0.2mm);
- FINISH:
  - CONTACT: PLATED OVER NI,GOLD PLATED G/Fu";
  - SHELL: PLATED OVER NI;
- ELECTRICAL:
  - VOLTAGE RATING: 125 VAC RMS;
  - CURRENT RATING: 1.5 AMP;
  - CONTACT RESISTANCE: 35MILLIOHMS MAX.;
  - WITHSTAND VOLTAGE: 500 VAC RMS 50(60)Hz,1MIN.;
  - INSULATION RESISTANCE: 500MEGOHMS MIN @500V DC.
- MECHANICAL:
  - MATING/UNMATING FORCE: 22N MAX.;
  - RETENTIION STRENGTH: 50N MIN.;
  - OPERATING LIFE: 750 CYCLES MIN.;
- ENVIRONMENTAL:
  - STORAGE TEMPERATURE RANGE: -40°C~+85°C;
  - OPERATION TEMPERATURE RANGE: -25°C~+70°C;

### 深圳市华灿天禄电子有限公司

UNLESS OTHERWISE, GENERAL TOLERANCE: X.xxx ±0.10 X.xx ±0.20 X.x ±0.30	NAME: RJ沉板 (全包铜壳编带)		P/N: HC-RJ45-055-4	
	DWG NO.:			
THIRD ANGLE PROJECTION 	UNIT: mm	SCALE: 1:1	SIZE: A4	SHEET: 1/1
ANGULAR: X.xx° ±1° X.x° ±3° X° ±5°	DRAWN:		CHECKED:	APPROVED