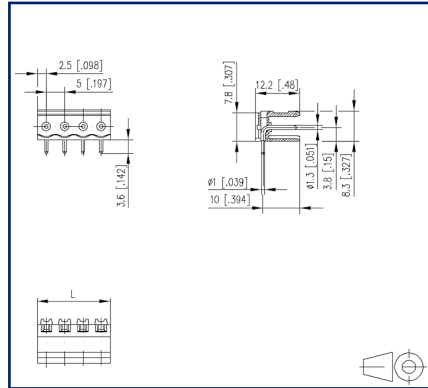


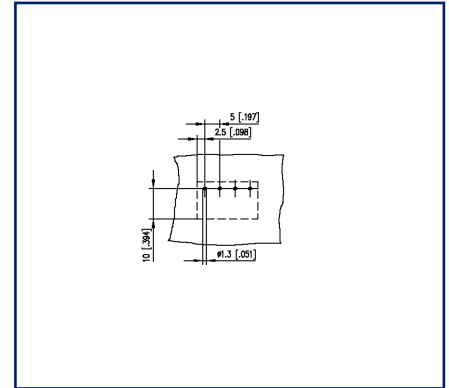
**Illustrations**



Dimensional drawing



Drill pattern



See enlarged drawings at the end of document

**Product specification**


- pin header, solderable
- centerline 5.00 mm, direction of connection 90°
- open ends, fittable without loss of poles
- color black

## Technical Data

### General Data

Solder pin length	3.6 mm		
min. number of poles	2		
max. number of poles	22		
Insulating material class	CTI 600		
clearance/creepage dist.	3.7 mm		
Protection category	IP00		
Rated current	10 A		
Overvoltage category	III	III	II
Pollution degree	3	2	2
Rated voltage	250 V	630 V	630 V
Rated test voltage	4 kV	4 kV	4 kV

### Approvals

 V / A	300 / 10
approval UL - File No.	E121004
1.5 mm <sup>2</sup>	

### Material

insulating material	PA66
flammability class	V0
contact pin material	CuZnPb
contact pin surface	Ni + Ag
Glow-Wire Flammability GWFI	960 °C acc. to IEC 60695-2-12
Glow-Wire Flammability GWIT	775 °C acc. to IEC 60695-2-13

### Climatic Data

upper limit temperature	105 °C
lower limit temperature	-40 °C

### general

Tolerance	ISO 2768 -mH
Solderability	Acc. to JEDEC JESD22-B102E 245°C/5s

# U | Contact

Data sheet  
**PT045xxHBEC Type 029**

Page 3/5

P/N  
**310291xx**

**xx=number of poles**

2023/06/26

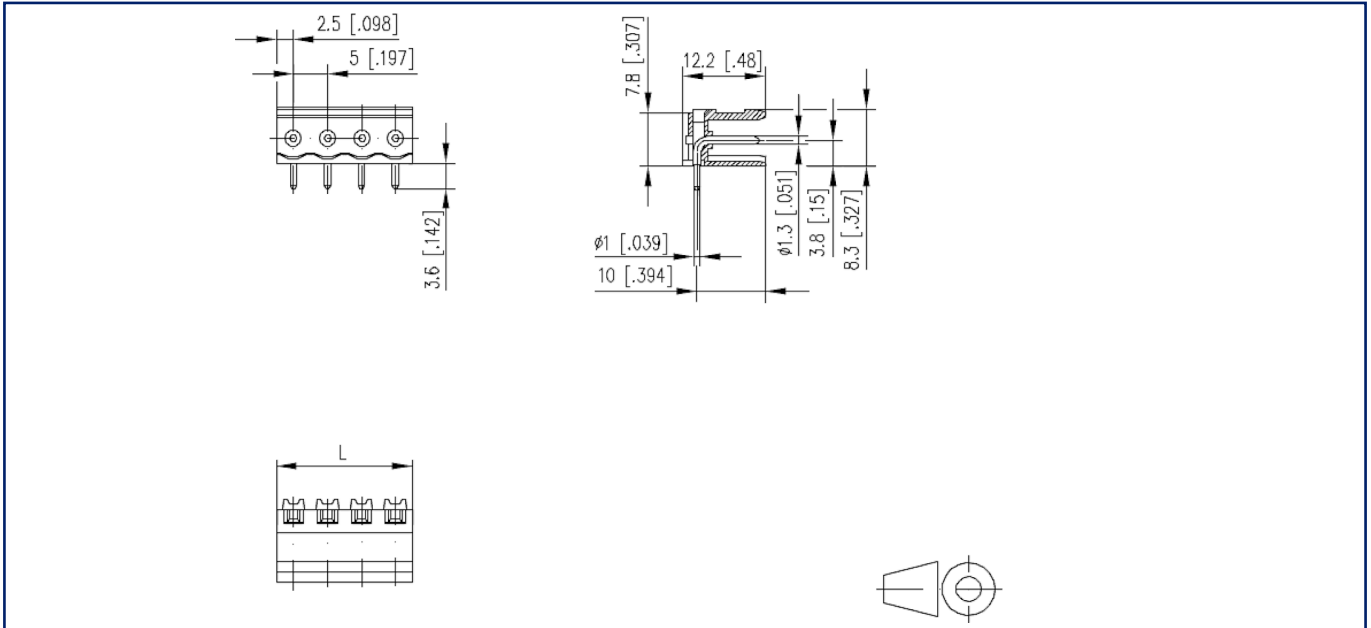
Version: V

## Counterpart of

P/N	Designation
310091	RP015xxWBWC Type 009
310131	RP035xxIBLN Type 013
310261	FT085xxVBFC Type 026
310491	RP015xxWBLC Type 049

## Illustrations

### Dimensional drawing



$L = (\text{pole size} - 1) \times \text{centerline} + 5 \text{ mm } [0.197]$

## Illustrations

### Drill pattern

