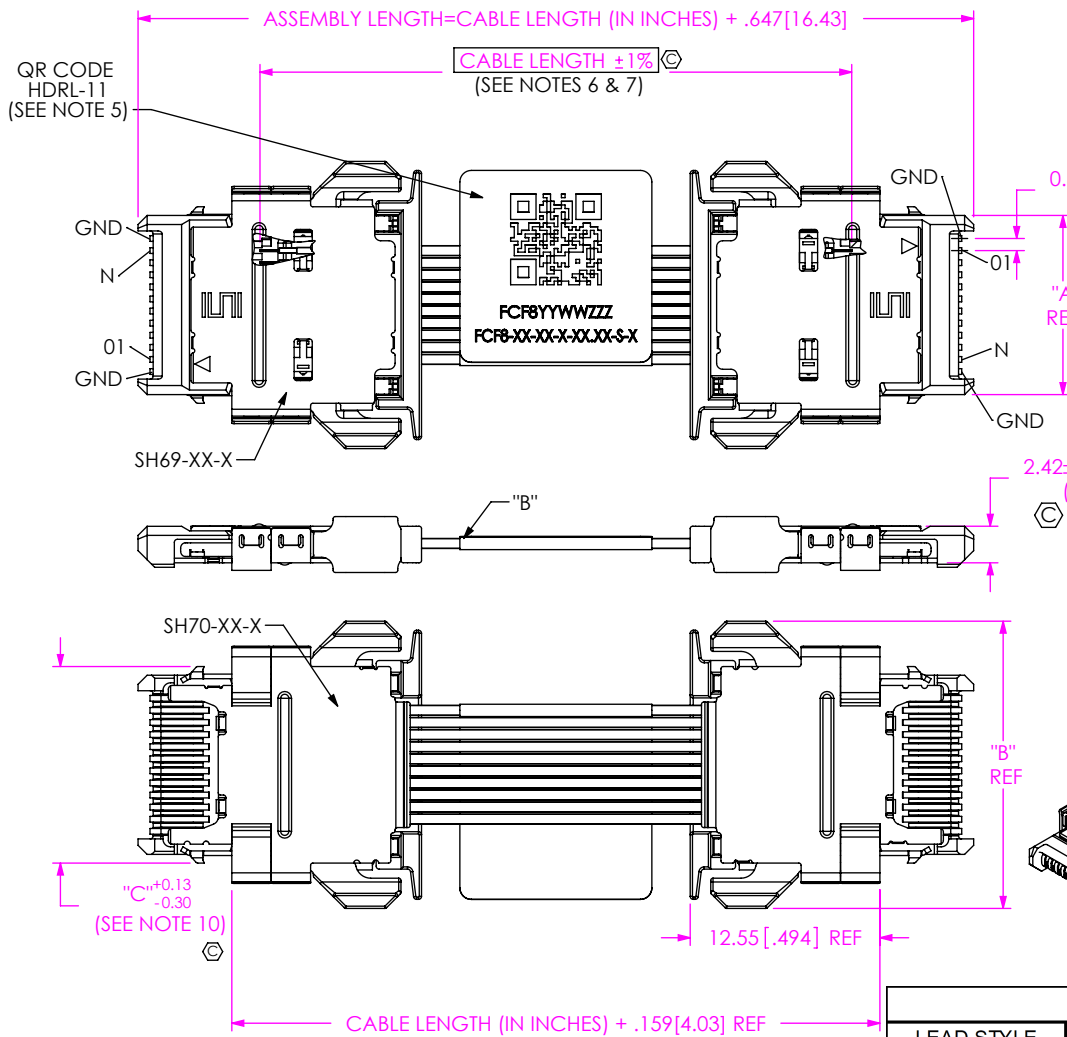


DO NOT SCALE FROM THIS PRINT

DESIGNED & DIMENSIONED IN MILLIMETERS [INCHES]

**Pb** THIS PRODUCT MANUFACTURED WITH LEAD-FREE PROCESSING

FCF8-XX-XX-X-XX.XX-S-X



No OF POSITIONS  
\*05, -10, \*-15, -20  
\*-25, -30, \*-35, \*-40

LEAD STYLE  
-01: 38 AWG COAX  
\*02: 34 AWG TWINAX  
\*03: 32 AWG POWER

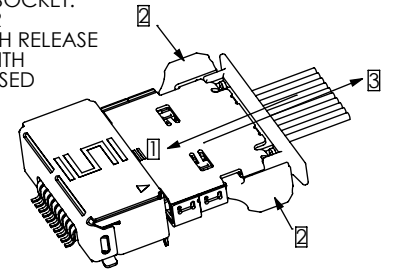
\* = NOT TOOLED

WIRING OPTION  
-1: 1 TO 1 (SEE FIG. 2)  
(LEAVE BLANK FOR 1 TO N)  
ROW SPECIFICATION  
-S: SINGLE ROW

CABLE LENGTH (IN INCHES)  
-XX.XX: 03.00 [76.2] MIN  
(SEE NOTE 6)

PLATING SPECIFICATION  
-L: 10µ" SELECTIVE GOLD IN CONTACT AREA, MATTE TIN ON TAIL

TO DISENGAGE CABLE FROM SOCKET:  
FIRST, FULLY SEAT CONNECTOR  
SECOND, FULLY DEPRESS LATCH RELEASE  
THIRD, PULL STRAIGHT BACK WITH LATCH RELEASE DEPRESSED



**TABLE 4**  
SIGNAL MAPPING  
FCF8-XX-XX-X-XX.XX-S  
WIRING OPTION

J1	NAME	J2
1	SIG	N
2	SIG	N-1
...	SIG	...
N-1	SIG	2
N	SIG	1

FCF8-XX-XX-X-XX.XX-S-1  
WIRING OPTION

J1	NAME	J2
1	SIG	1
2	SIG	2
...	SIG	...
N-1	SIG	N-1
N	SIG	N

**TABLE 3**

No OF POSITIONS	"N" POSITION
*05	05
-10	10
*-15	15
-20	20
*-25	25
-30	30
*-35	35
*-40	40

\* NOT TOOLED

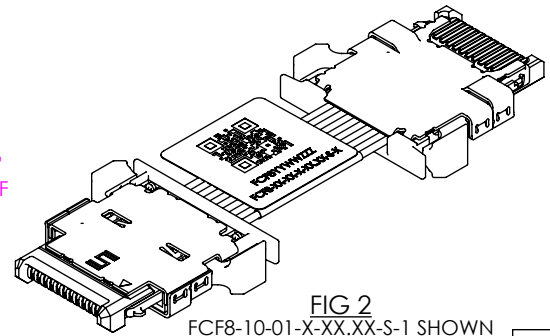


FIG 2  
FCF8-10-01-X-XX.XX-S-1 SHOWN

**TABLE 2**

LEAD STYLE	"B"	AWG	TYPE
-01	TCF-3850-XX-01-TB-0315	38	COAX
*02	GBTX-34100-01	34	TWINAX
*03	CCS-158266-01-CC	32	POWER

\* NOT TOOLED

**TABLE 1**

POSITION	"A"	"B"	"C"
*05	7.85	15.00	9.00
-10	11.85	19.00	13.00
*-15	15.85	23.00	17.00
-20	19.85	27.00	21.00
*-25	23.85	31.00	25.00
-30	27.85	35.00	29.00
*-35	31.85	39.00	33.00
*-40	35.85	43.00	37.00

\* NOT TOOLED

FIG 1  
FCF8-10-01-X-XX.XX-S SHOWN

- NOTES:
- ⊗ REPRESENTS A CRITICAL DIMENSION.
  - ⊙ ALL ASSEMBLIES TO BE 100% ELECTRICALLY TESTED FOR SHORTS & OPENS.
  - ⊙ ALL ASSEMBLIES TO BE 100% HI-POT TESTED AT 300V.
  - FOR SUB-ASSEMBLY AND FINISHED GOOD PACKAGING REQUIREMENTS, REFERENCE PACKAGING STANDARD CO-HD-WI-3033-M.
  - LABEL TO BE CENTERED ON CABLE ASSEMBLY AS SHOWN. LABEL TO CONTAIN: TOP SIDE-QR CODE, LINE 1- SERIAL NUMBER "FCF8YYWZZZ", LINE 2- PART NUMBER "FCF8-XX-XX-X-XX.XX-S-X".
  - CABLE LENGTH GREATER THAN 40" [1016mm] IS A VALID PART NUMBER, BUT NOT SUPPORTED BY S.I. TEST DATA.
  - CABLES LESS THAN 5" [127.0mm] HAVE A LENGTH TOLERANCE OF +/- .050" [1.27mm].
  - DEFAULT SIGNAL MAPPING IS PIN 01 TO PIN N. OUTER GND POSITIONS ARE CONNECTED TO CONNECTOR SHELL AND WHEN APPLICABLE TO COAX AND TWINAX SHIELD. FOR PIN 01 TO PIN 01 SIGNAL MAPPING, SELECT WIRING OPTION -1.
  - NOTE DELETED.
  - ACTUATE LATCHES TO ENSURE THEY WILL DEFLECT FLUSH WITH PLASTIC AND RETURN TO DIM "C" POSITION.
  - SOLDER THESE 3 LOCATIONS AFTER SHIELD HAS BEEN FULLY SEATED.
  - MEASURE ACROSS SHIELDS AT A POINT CLOSEST TO THE END OF THE CABLE.

F:\DWG\MISC\MKTG\FCF8-XX-XX-X-XX.XX-S-X-MT.SLDDRW

UNLESS OTHERWISE SPECIFIED, DIMENSIONS ARE IN MILLIMETERS.

TOLERANCES ARE:

DECIMALS	ANGLES
X.X: ±0.3 [0.1]	2°
X.XX: ±0.13 [0.05]	
X.XXX: ±0.051 [0.020]	

**PROPRIETARY NOTE**

THIS DOCUMENT CONTAINS CONFIDENTIAL AND PROPRIETARY INFORMATION AND ALL DESIGN, MANUFACTURING, REPRODUCTION, USE, PATENT RIGHTS AND SALES RIGHTS ARE EXPRESSLY RESERVED BY SAMTEC, INC. THIS DOCUMENT SHALL NOT BE DISCLOSED, IN WHOLE OR PART, TO ANY UNAUTHORIZED PERSON OR ENTITY NOR REPRODUCED, TRANSFERRED OR INCORPORATED IN ANY OTHER PROJECT IN ANY MANNER WITHOUT THE EXPRESS WRITTEN CONSENT OF SAMTEC, INC.

**MATERIAL:** DO NOT SCALE DRAWING SHEET SCALE: 2:1

OVERMOLD: LCP  
TERMINAL: PHOS BRONZE  
SHIELD: PHOS BRONZE  
PLATING:  
-L GOLD: 10µ" CONTACT

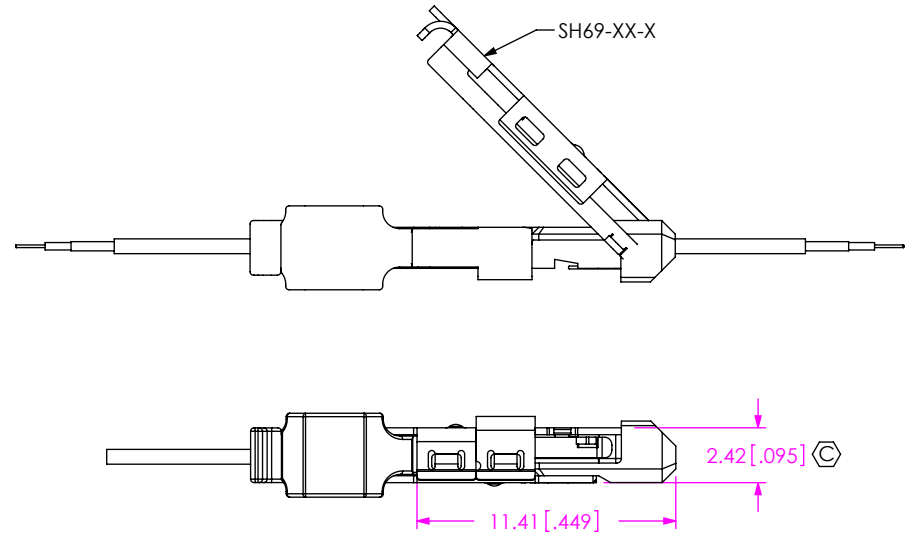
520 PARK EAST BLVD, NEW ALBANY, IN 47150  
PHONE: 812-944-6733 FAX: 812-948-5047  
e-Mail: info@SAMTEC.com code: 55322

DESCRIPTION: FCF8 CABLE ASSEMBLY

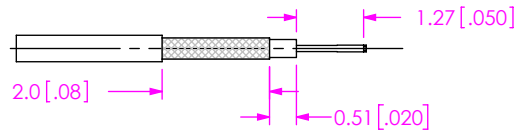
DWG. NO. FCF8-XX-XX-X-XX.XX-S-X

BY: D.SCHMELZ 8/18/2011 SHEET 1 OF 2

**IN-PROCESS 3**  
 ADD SH69-XX-X AS SHOWN THEN SH70-XX-X, HAND SEATED  
 (BOTH ENDS OF CABLE)



**IN-PROCESS 1**  
 CUT & PREP CABLES



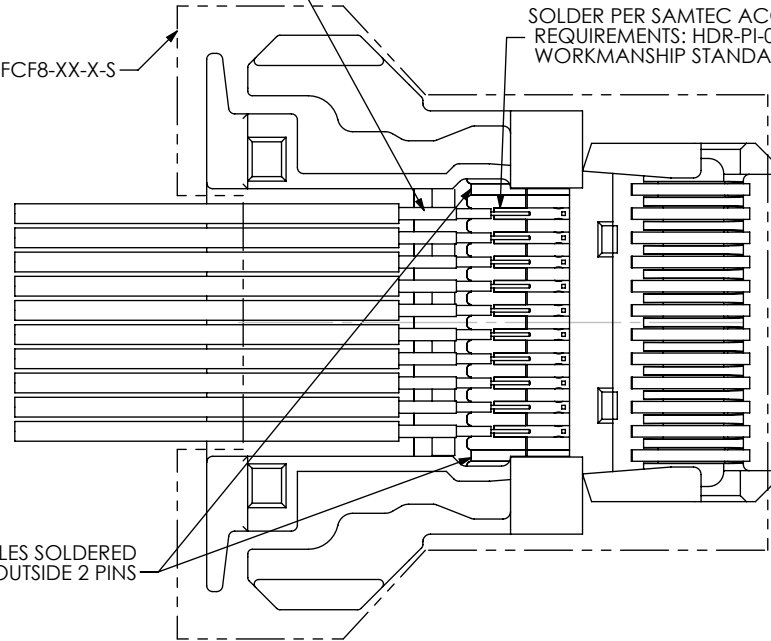
**IN-PROCESS 2**  
 SOLDER CABLES TO SUB-FCF8-XX-X-S  
 (BOTH ENDS OF CABLE)

SOLDER PER SAMTEC ACCEPTABILITY  
 REQUIREMENTS: HDR-PI-01 "CABLE ASSEMBLY  
 WORKMANSHIP STANDARDS".

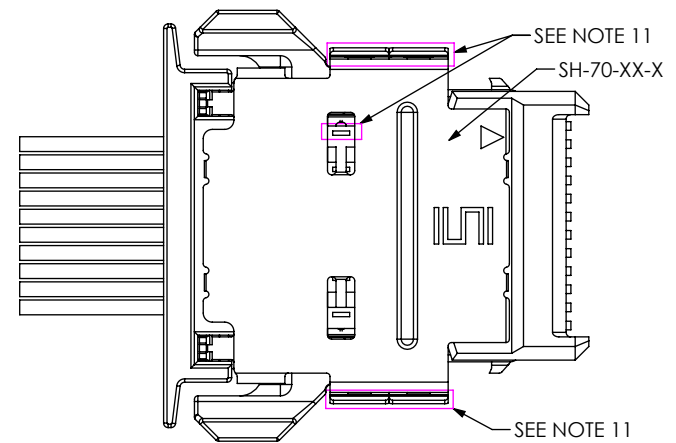
SRP-065-005-01  
 (PLACED ON TOP OF SHIELD,  
 HIDDEN FOR CLARITY)

SUB-FCF8-XX-X-S

NO CABLES SOLDERED  
 TO OUTSIDE 2 PINS



**IN-PROCESS 4**  
 ADD SH70-XX-X, SEAT WITH PRESS



**PROPRIETARY NOTE**  
 \* THIS DOCUMENT CONTAINS CONFIDENTIAL AND  
 PROPRIETARY INFORMATION AND ALL DESIGN,  
 MANUFACTURING, REPRODUCTION, USE, PATENT RIGHTS  
 AND SALES RIGHTS ARE EXPRESSLY RESERVED BY SAMTEC,  
 INC. THIS DOCUMENT SHALL NOT BE DISCLOSED, IN WHOLE  
 OR PART, TO ANY UNAUTHORIZED PERSON OR ENTITY NOR  
 REPRODUCED, TRANSFERRED OR INCORPORATED IN ANY  
 OTHER PROJECT IN ANY MANNER WITHOUT THE EXPRESS  
 WRITTEN CONSENT OF SAMTEC, INC.

DO NOT SCALE DRAWING

SHEET SCALE: 3:1

**samtec**

520 PARK EAST BLVD, NEW ALBANY, IN 47150  
 PHONE: 812-944-6733 FAX: 812-948-5047  
 e-Mail: info@SAMTEC.com code: 55322

DESCRIPTION: FCF8 CABLE ASSEMBLY

DWG. NO. FCF8-XX-XX-X-XX.XX-S-X

BY: D.SCHMELZ 8/18/2011 SHEET 2 OF 2