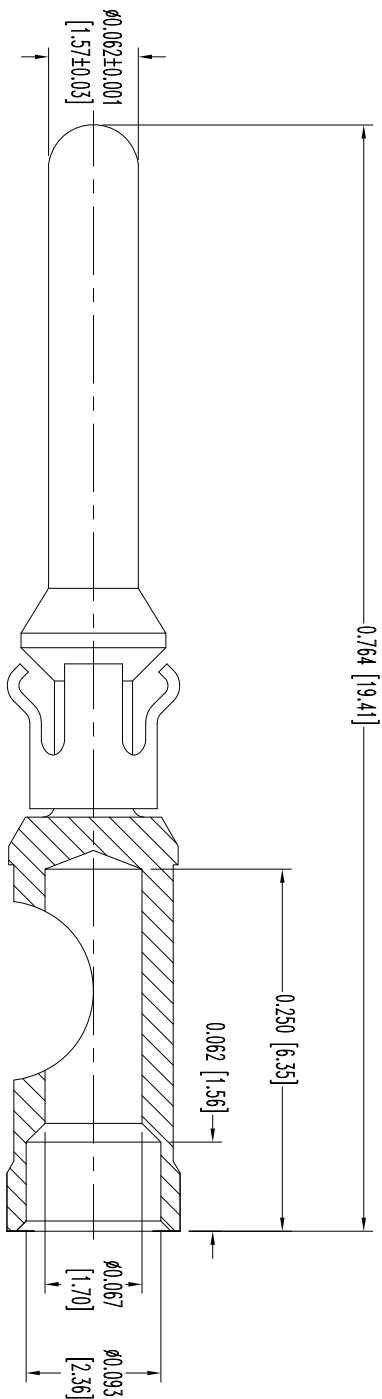



THIS DRAWING CONTAINS INFORMATION PROPRIETARY TO POSITRONIC AND ITS SUBSIDIARIES. POSITRONIC BELIEVES THE DATA ON THIS DRAWING TO BE RELIABLE, SINCE THE TECHNICAL INFORMATION IS GIVEN FREE OF CHARGE, THE USER ASSUMES ALL LIABILITY FOR THE USE OF THE INFORMATION AND RISK. POSITRONIC ASSUMES NO RESPONSIBILITY FOR RESULTS OBTAINED OR DAMAGES INCURRED FROM USE OF SUCH INFORMATION IN WHOLE OR IN PART.



- NOTES:
1. MATERIALS AND FINISHES:  
CONTACTS: COPPER ALLOY, GOLD FLASH OVER NICKEL PLATE.  
SPRING CLIP: BERYLLIUM COPPER, GOLD FLASH OVER NICKEL PLATE.
  2. DETAILED PRODUCT, MECHANICAL, AND ELECTRICAL INFORMATION IS AVAILABLE IN THE LATEST STANDARD DENSITY RECTANGULAR PRODUCT PUBLICATION. VISIT [CONNECTPOSITRONIC.COM/PRODUCTS/53/STANDARDENSITYRECTANGULAR](http://CONNECTPOSITRONIC.COM/PRODUCTS/53/STANDARDENSITYRECTANGULAR) OR [CONNECTPOSITRONIC.COM](http://CONNECTPOSITRONIC.COM).
  3. DIMENSIONS ARE IN INCHES [MILLIMETERS].

DATE	REV	REVISION/DESCRIPTION	APP	DR	CK
5-16-13	NC	ECO 39506	COLB	MP	COLB

SK15108

		<b>POSITRONIC INDUSTRIES INC.</b> <a href="http://www.connectpositronic.com">www.connectpositronic.com</a>		<b>FSCM 28198</b>	
		GMCT/PCS SERIALS		SCALE: N.T.S.	
DECIMAL TOL. ± 0.015 [0.38]		TITLE: MS116N		DRAWN BY: MP	
ANGULAR TOL. ± 5°		DATE: 5-16-13		APPROVED BY: COLB	
		DRAWING NUMBER: SK15108		REV: NC	