

GlobTek, Inc. www.globtek.com 186 Veterans Drive, Northvale, NJ 07647 Tel. (201) 784-1000 Fax (201) 784-0111	Drawing Title: GTM41080-1817.9-2.9-F(Class I), Medical Power Supply, Efficiency Level: V, Case Color/Style: PCB, Open Frame/Internal, Regulated Switchmode AC-DC Power Supply AC Adaptor, Input Rating: 100-240V~, 50-60 Hz, Molex Header (or equal), . Output Rating: 18.00W, 15.0V@1.2A, Pin Out: 1 & 2=Negative (-V) / Gnd, 3 & 4= Positive (+V), Output Configuration: N/A mm, N/A/4 Cond, , Molex 4-Pin 2.54mm Pitch Friction Lock Header P/N 22-23-2041 (4 Circuit), Ferrite: None, N/A, GT Cord # C0269, Blades/Input Cord: (Order Separately), Approvals:	
	Model No. GTM41080-1817.9-2.9-F(Class I)	
	Part No./Ordering No. GTM41080-1815-FRV	Rev D

In Addition to GlobTek Inc.'s renewed ISO9001:2015 - Quality Management System Certification, GlobTek Inc. is now certified to:

ISO13485:2016 - Medical Devices Quality Management System Certification

ISO14001:2015 - Environmental Management System Certification

ISO Certificates are available online at <https://www.globtek.com/iso-certificates/>

The acceptance of this specification and use of the product described in this document indicates the acceptance and binding of the customer to Globtek TERMS AND CONDITIONS (attached to the end of this document), which supersede all other agreements, terms, and conditions (<https://www.globtek.com/terms-and-conditions/>).

The purchaser of this product (Customer) agrees that it is their sole responsibility to determine suitability/fitness of the product described in this specification for their application and to take precautions for protection against any hazards attendant to the handling and use of the product.

Footnote:

GlobTek Inc. will not be liable for the safety and performance of these power supplies/battery packs if unauthorized access and repair occurs. End user should consult applicable UL, CSA or EN standards for proper installation instruction.

Limitation of Use:

GlobTek products are intended for use with commercial, medical, and/or industrial equipment only. GlobTek product are not authorized for use as mission critical components in life support hazardous environment, nuclear or aircraft applications without prior written approval from the CEO of GlobTek Inc.

Contents of this document are subject to change without prior notice.

Customer Approval of Specification:

Please approve, sign and send back to GlobTek so we can complete order processing.

A delay in receipt of this form will delay delivery schedule.

Company Name: _____	Customer P/N: _____
Quote Number: _____	Date: _____
Authorized Representative Name: _____	Authorized Representative Signature: _____

GlobTek, Inc. www.globtek.com 186 Veterans Drive, Northvale, NJ 07647 Tel. (201) 784-1000 Fax (201) 784-0111	Drawing Title: GTM41080-1817.9-2.9-F(Class I), Medical Power Supply, Efficiency Level: V, Case Color/Style: PCB, Open Frame/Internal, Regulated Switchmode AC-DC Power Supply AC Adaptor, Input Rating: 100-240V~, 50-60 Hz, Molex Header (or equal), . Output Rating: 18.00W, 15.0V@1.2A, Pin Out: 1 & 2=Negative (-V) / Gnd, 3 & 4= Positive (+V), Output Configuration: N/A mm, N/A/4 Cond, , Molex 4-Pin 2.54mm Pitch Friction Lock Header P/N 22-23-2041 (4 Circuit), Ferrite: None, N/A, GT Cord # C0269, Blades/Input Cord: (Order Separately), Approvals:	
	Model No. GTM41080-1817.9-2.9-F(Class I)	
	Part No./Ordering No. GTM41080-1815-FRV	Rev D

REVISION HISTORY

REV	DESCRIPTION	SUB	DATE	APPROVED
D	Update label specs to ISO 15223 medical device compliant label, add UKCA approval, Update engineering model to GTM41080-1817.9-2.9-F(Class I), add grounding configuration E1, Update Molex P/N 22-23-2171 to P/N 22-23-2041, add pinout drawing Update packing: Qty to 224 pcs, master carton to 380*380*250 mm	QA	04/08/2021	QA
C	corrected model to GTM41080-1817.9-2.9-F	rmünt	09/25/2013	QA
B	removed Ground, Ukraine and VCCI from the label due to limited space	GTde1	09/05/2013	QA
A	Initial Release	rmünt	07/01/2013	ES

POWER SUPPLY INFORMATION

TYPE	Open Frame/Internal
TECHNOLOGY	Regulated Switchmode AC-DC Power Supply AC Adaptor
CASE COLOR	PCB
NAMEPLATE RATED INPUT	100-240V~, 50-60 Hz, 0.6A
INPUT CONFIG	Molex Header (or equal)
WATTS	18.00
VOLTS OUT	15.0
CURRENT OUT (Amps)	1.2
BLADE/CORD INCLUDED	None (Order Separately)
BLADE/CORD INSTALLED	None :(Order Separately)
INGRESS PROTECTION	IPX0
GROUNDING CONFIGURATION	(E1) Earthed output
EFFICIENCY LEVEL	V
OUTPUT CONFIGURATION	N/A mm, N/A/4 Cond, , Molex 4-Pin 2.54mm Pitch Friction Lock Header P/N 22-23-2041 (4 Circuit), Ferrite: None, N/A, GT Cord # C0269
OVERMOLDED	No
CONNECTOR PIN OUT	1 & 2=Negative (-V) / Gnd, 3 & 4= Positive (+V)
LABEL SPECS	ISO 15223 medical device compliant label,L-1470
SPECIAL BARCODE LABEL MATERIAL	No
PACK SPEC	Standard OF, Individually Box
USER MANUAL	N/A User Manual

PROPRIETARY INFORMATION

PROPRIETARY OF GLOBTEK, INC. ANY REPRODUCTION, DISCLOSURE OR USE OF THIS DRAWING, IN WHOLE OR IN PART, IS HEREBY PROHIBITED EXCEPT AS SPECIFIED IN WRITING BY GLOBTEK, INC. © GlobTek, Inc. 2013 - 2024

GlobTek, Inc. www.globtek.com 186 Veterans Drive, Northvale, NJ 07647 Tel. (201) 784-1000 Fax (201) 784-0111	Drawing Title: GTM41080-1817.9-2.9-F(Class I), Medical Power Supply, Efficiency Level: V, Case Color/Style: PCB, Open Frame/Internal, Regulated Switchmode AC-DC Power Supply AC Adaptor, Input Rating: 100-240V~, 50-60 Hz, Molex Header (or equal), . Output Rating: 18.00W, 15.0V@1.2A, Pin Out: 1 & 2=Negative (-V) / Gnd, 3 & 4= Positive (+V), Output Configuration: N/A mm, N/A/4 Cond, , Molex 4-Pin 2.54mm Pitch Friction Lock Header P/N 22-23-2041 (4 Circuit), Ferrite: None, N/A, GT Cord # C0269, Blades/Input Cord: (Order Separately), Approvals:	
	Model No. GTM41080-1817.9-2.9-F(Class I)	
	Part No./Ordering No. GTM41080-1815-FRV	Rev D

Notes/Modifications/Customizations (notes in this section supersede the values shown in the standard spec)

DIMENSIONS ARE IN MM UNLESS SPECIFIED OTHERWISE

GlobTek, Inc. www.globtek.com 186 Veterans Drive, Northvale, NJ 07647 Tel. (201) 784-1000 Fax (201) 784-0111	Drawing Title: GTM41080-1817.9-2.9-F(Class I), Medical Power Supply, Efficiency Level: V, Case Color/Style: PCB, Open Frame/Internal, Regulated Switchmode AC-DC Power Supply AC Adaptor, Input Rating: 100-240V~, 50-60 Hz, Molex Header (or equal), . Output Rating: 18.00W, 15.0V@1.2A, Pin Out: 1 & 2=Negative (-V) / Gnd, 3 & 4= Positive (+V), Output Configuration: N/A mm, N/A/4 Cond, , Molex 4-Pin 2.54mm Pitch Friction Lock Header P/N 22-23-2041 (4 Circuit), Ferrite: None, N/A, GT Cord # C0269, Blades/Input Cord: (Order Separately), Approvals:	
	Model No. GTM41080-1817.9-2.9-F(Class I)	
	Part No./Ordering No. GTM41080-1815-FRV	Rev D

ELECTRICAL SPECIFICATIONS

A) ELECTRICAL SPECIFICATIONS:

01. Input Voltage: 100-240 Vac
02. Input Frequency: 47 - 63 Hz
03. Output Regulation: +/- 5% measured at the output connector
04. Line Voltage Regulation: +/- 1% typical measured at full load
05. Output Ripple (Vp-p): +/-1% or 150 mV whichever is greater, measured at 20 MHz bandwidth with 0.1 uf ceramic capacitor in parallel with 10 uf electrolytic capacitor connected at the end of the output connector at nominal line
06. Turn-ON/OFF Overshoot: 5% maximum, 1 mS typical recovery time for 25% to 50% step load
07. Turn-ON Delay: 3000 mS, maximum @ full load, nominal line
08. Hold-Up Time: 8 mS typical @ nominal input voltage and full load
09. Inrush Current: 30A maximum cold start @ 240Vac input
10. Switching Frequency: 65 KHz typical
11. Efficiency: Compliant with Worldwide Level V standards.
12. No Load Standby Power: <0.3 W

B) PROTECTION

01. Over-Voltage: Electronically Protected Zener clamp across the output
02. Short Circuit: Electronically Protected unit will auto recover upon removal of fault
04. Input Protection: Input line and neutral fusing

C) SAFETY

01. Protection class: Factory configured and labeled as Class I Functional Earth equipment. May be used as Class II equipment by physically removing(cutting) the Functional Earth terminal from the input connector (as provisioned by CB report). May be ordered as Class II with a 2 circuit input connector and double-box marking under an alternate ordering part number.
02. Dielectric Withstand Voltage: 5656Vdc from primary to secondary
03. Earth Leakage Current: <0.25 mA at 240Vac input voltage

D) OTHER:

01. MTBF: 200,000 Hours @ 25°C ambient temperature
02. Operating Temperature: 0°C to 40°C ambient temperature
03. Humidity: 0% to 90% relative humidity
04. Storage Temperature: -10°C to 80°C
05. Cooling: Convection

E) ENCLOSURE

01. Open Frame
02. Size: 84.5*41.5*21.6 mm +/-1.0 mm (3.3*1.6*0.9 inches)
03. Markings: Label

PROPRIETARY INFORMATION

PROPRIETARY OF GLOBTEK, INC. ANY REPRODUCTION, DISCLOSURE OR USE OF THIS DRAWING, IN WHOLE OR IN PART, IS HEREBY PROHIBITED EXCEPT AS SPECIFIED IN WRITING BY GLOBTEK, INC. © GlobTek, Inc. 2013 - 2024

GloTek, Inc. www.globtek.com 186 Veterans Drive, Northvale, NJ 07647 Tel. (201) 784-1000 Fax (201) 784-0111	Drawing Title: GTM41080-1817.9-2.9-F(Class I), Medical Power Supply, Efficiency Level: V, Case Color/Style: PCB, Open Frame/Internal, Regulated Switchmode AC-DC Power Supply AC Adaptor, Input Rating: 100-240V~, 50-60 Hz, Molex Header (or equal), . Output Rating: 18.00W, 15.0V@1.2A, Pin Out: 1 & 2=Negative (-V) / Gnd, 3 & 4= Positive (+V), Output Configuration: N/A mm, N/A/4 Cond, , Molex 4-Pin 2.54mm Pitch Friction Lock Header P/N 22-23-2041 (4 Circuit), Ferrite: None, N/A, GT Cord # C0269, Blades/Input Cord: (Order Separately), Approvals:	
	Model No. GTM41080-1817.9-2.9-F(Class I)	
	Part No./Ordering No. GTM41080-1815-FRV	Rev D

TO ADDRESS SYSTEM-LEVEL EMI CONCERNS, FERRITE CHOKES/BEADS MAY BE ADDED/REVISED UPON REQUEST. A SAMPLE KIT OF GLOBTEK'S STANDARD FERRITES IS AVAILABLE UNDER GLOBTEK P/N: EMI-MITIGATION-KIT1

FOR ADDITIONAL INFORMATION, PLEASE READ OUR WHITE PAPER AT: <https://r.globtek.info/3QeaqtD>

INGRESS PROTECTION: IPX0

GlobTek, Inc.
 www.globtek.com
 186 Veterans Drive,
 Northvale, NJ 07647
 Tel. (201) 784-1000
 Fax (201) 784-0111

Drawing Title: GTM41080-1817.9-2.9-F(Class I), Medical Power Supply, Efficiency Level: V, Case Color/Style: PCB, Open Frame/Internal, Regulated Switchmode AC-DC Power Supply AC Adaptor, Input Rating: 100-240V~, 50-60 Hz, Molex Header (or equal), . Output Rating: 18.00W, 15.0V@1.2A, Pin Out: 1 & 2=Negative (-V) / Gnd, 3 & 4= Positive (+V), Output Configuration: N/A mm, N/A/4 Cond, , Molex 4-Pin 2.54mm Pitch Friction Lock Header P/N 22-23-2041 (4 Circuit), Ferrite: None, N/A, GT Cord # C0269, Blades/Input Cord: (Order Separately), Approvals:

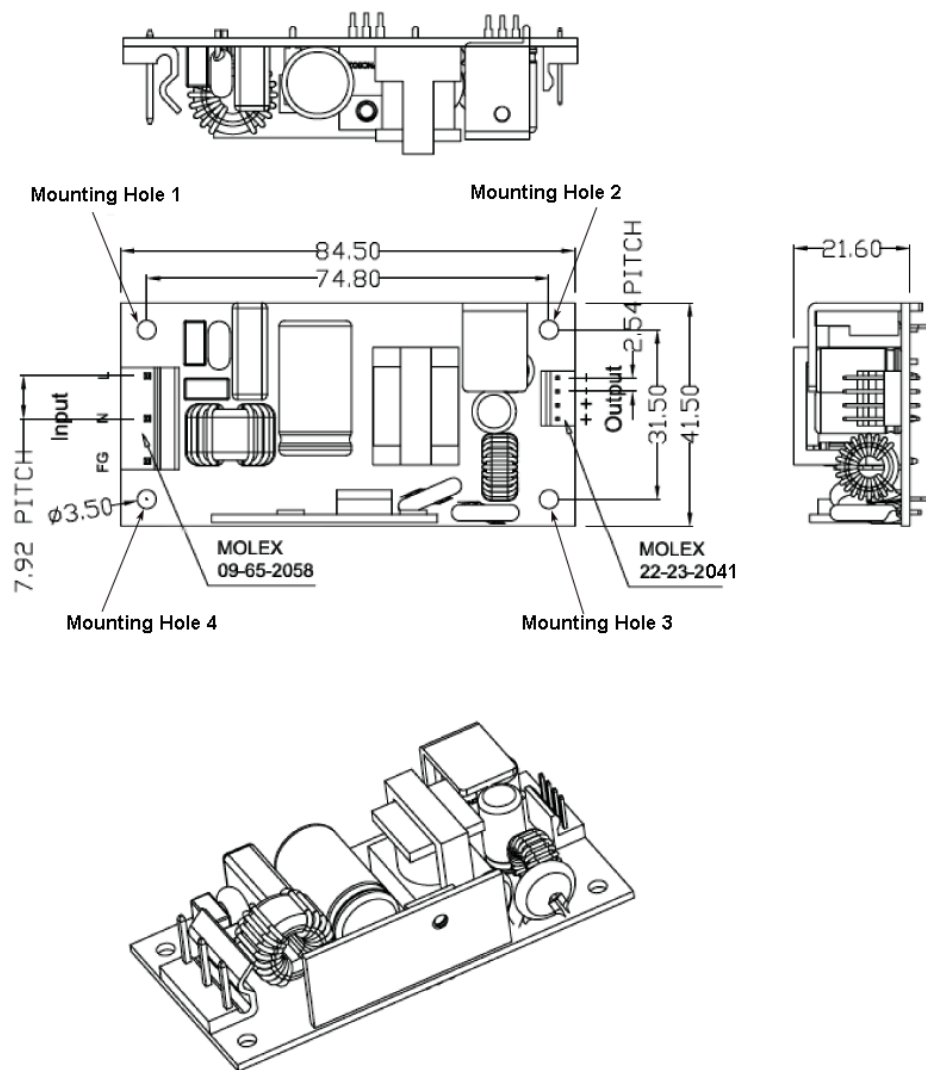
Model No. GTM41080-1817.9-2.9-F(Class I)

Part No./Ordering No. GTM41080-1815-FRV

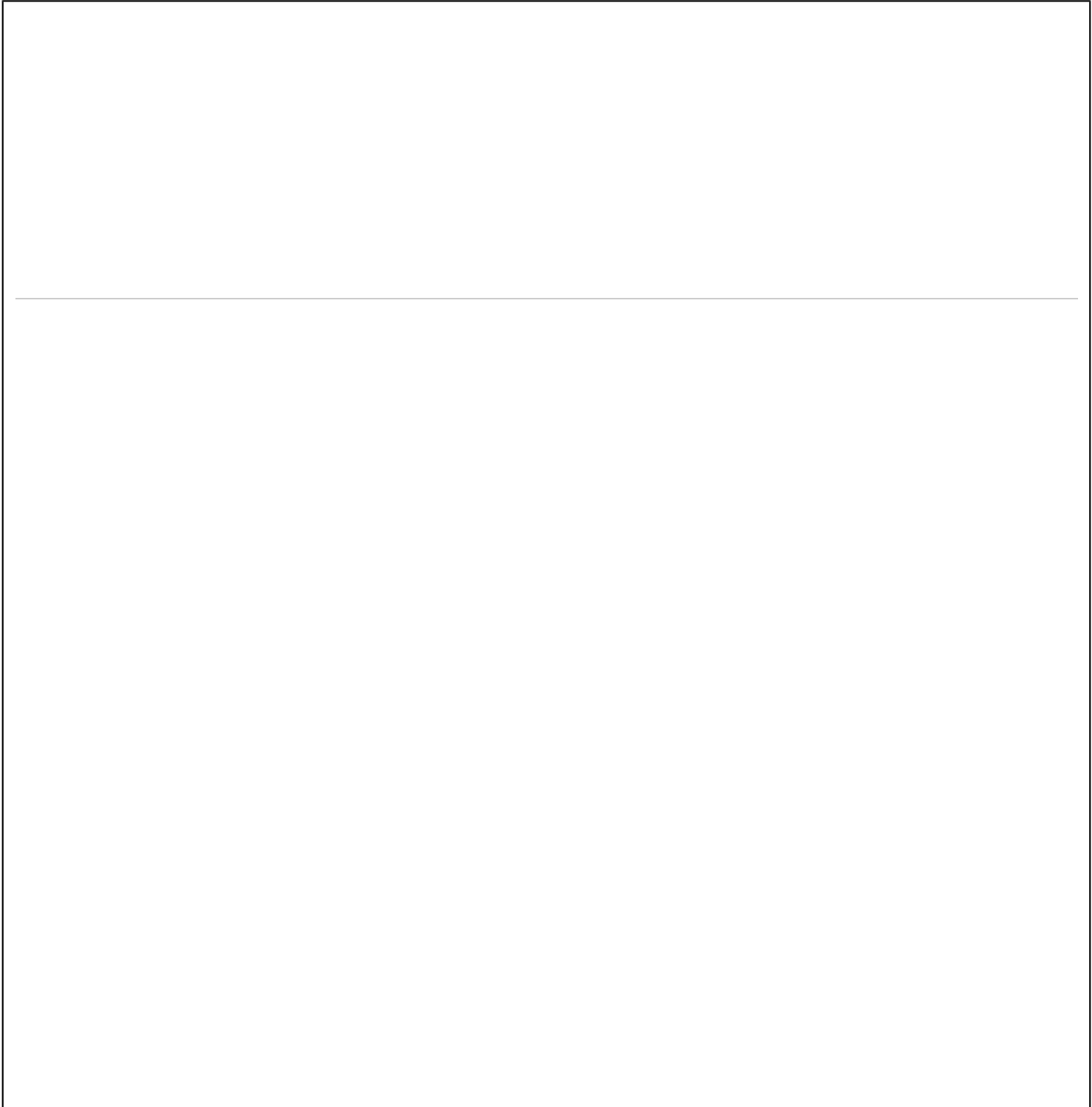
Rev D

3D File Download <https://www.globtek.com/file/dl/GTM41080-18VV-F.zip>

Mechanical drawing



GlobTek, Inc. www.globtek.com 186 Veterans Drive, Northvale, NJ 07647 Tel. (201) 784-1000 Fax (201) 784-0111	Drawing Title: GTM41080-1817.9-2.9-F(Class I), Medical Power Supply, Efficiency Level: V, Case Color/Style: PCB, Open Frame/Internal, Regulated Switchmode AC-DC Power Supply AC Adaptor, Input Rating: 100-240V~, 50-60 Hz, Molex Header (or equal), . Output Rating: 18.00W, 15.0V@1.2A, Pin Out: 1 & 2=Negative (-V) / Gnd, 3 & 4= Positive (+V), Output Configuration: N/A mm, N/A/4 Cond, , Molex 4-Pin 2.54mm Pitch Friction Lock Header P/N 22-23-2041 (4 Circuit), Ferrite: None, N/A, GT Cord # C0269, Blades/Input Cord: (Order Separately), Approvals:	
	Model No. GTM41080-1817.9-2.9-F(Class I)	
	Part No./Ordering No. GTM41080-1815-FRV	Rev D



GlobTek, Inc.
www.globtek.com
186 Veterans Drive,
Northvale, NJ 07647
Tel. (201) 784-1000
Fax (201) 784-0111

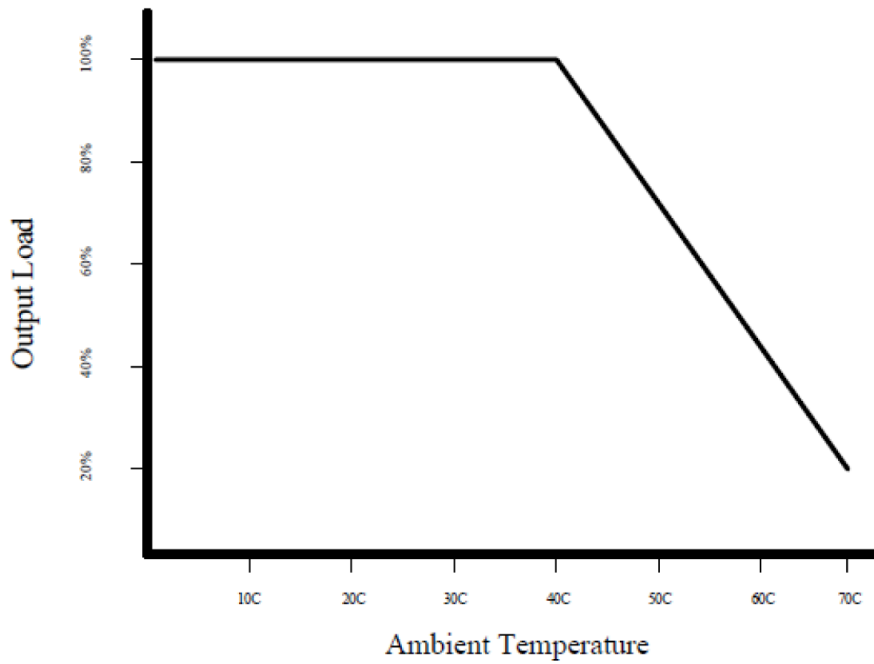
Drawing Title: GTM41080-1817.9-2.9-F(Class I), Medical Power Supply, Efficiency Level: V, Case Color/Style: PCB, Open Frame/Internal, Regulated Switchmode AC-DC Power Supply AC Adaptor, Input Rating: 100-240V~, 50-60 Hz, Molex Header (or equal), . Output Rating: 18.00W, 15.0V@1.2A, Pin Out: 1 & 2=Negative (-V) / Gnd, 3 & 4= Positive (+V), Output Configuration: N/A mm, N/A/4 Cond, , Molex 4-Pin 2.54mm Pitch Friction Lock Header P/N 22-23-2041 (4 Circuit), Ferrite: None, N/A, GT Cord # C0269, Blades/Input Cord: (Order Separately), Approvals:

Model No. GTM41080-1817.9-2.9-F(Class I)

Part No./Ordering No. GTM41080-1815-FRV

Rev D

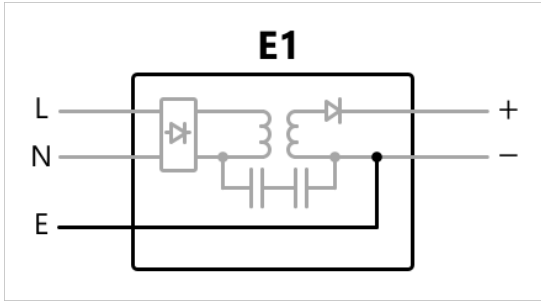
DERATING CURVE



GlobTek, Inc. www.globtek.com 186 Veterans Drive, Northvale, NJ 07647 Tel. (201) 784-1000 Fax (201) 784-0111	Drawing Title: GTM41080-1817.9-2.9-F(Class I), Medical Power Supply, Efficiency Level: V, Case Color/Style: PCB, Open Frame/Internal, Regulated Switchmode AC-DC Power Supply AC Adaptor, Input Rating: 100-240V~, 50-60 Hz, Molex Header (or equal), . Output Rating: 18.00W, 15.0V@1.2A, Pin Out: 1 & 2=Negative (-V) / Gnd, 3 & 4= Positive (+V), Output Configuration: N/A mm, N/A/4 Cond, , Molex 4-Pin 2.54mm Pitch Friction Lock Header P/N 22-23-2041 (4 Circuit), Ferrite: None, N/A, GT Cord # C0269, Blades/Input Cord: (Order Separately), Approvals:	
	Model No. GTM41080-1817.9-2.9-F(Class I)	
	Part No./Ordering No. GTM41080-1815-FRV	Rev D

INPUT CONFIGURATION

(E1) Earthed output



[Alternate grounding configurations](#) available upon request.

Blades/Cord Included:None:(Order Separately)

Blades/Cord Installed:None:(Order Separately)

Molex 09-65-2058 5 Position Header with 2 pins removed P1:E,P3:N,P5:L

Molex 09-65-2058 5 Position Header Pin 1: Earth, Pin 2: Removed, PIN 3: Neutral, Pin 4: removed, Pin 5: Line

GlobTek, Inc.
 www.globtek.com
 186 Veterans Drive,
 Northvale, NJ 07647
 Tel. (201) 784-1000
 Fax (201) 784-0111

Drawing Title: GTM41080-1817.9-2.9-F(Class I), Medical Power Supply, Efficiency Level: V, Case Color/Style: PCB, Open Frame/Internal, Regulated Switchmode AC-DC Power Supply AC Adaptor, Input Rating: 100-240V~, 50-60 Hz, Molex Header (or equal), . Output Rating: 18.00W, 15.0V@1.2A, Pin Out: 1 & 2=Negative (-V) / Gnd, 3 & 4= Positive (+V), Output Configuration: N/A mm, N/A/4 Cond, , Molex 4-Pin 2.54mm Pitch Friction Lock Header P/N 22-23-2041 (4 Circuit), Ferrite: None, N/A, GT Cord # C0269, Blades/Input Cord: (Order Separately), Approvals:

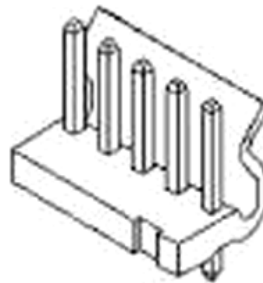
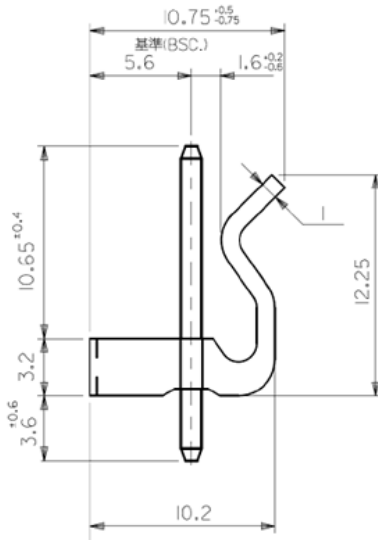
Model No. GTM41080-1817.9-2.9-F(Class I)

Part No./Ordering No. GTM41080-1815-FRV

Rev D

Document: http://www.molex.com/pdm_docs/sd/009652058_sd.pdf

Catalog Page: http://www.molex.com/molex/products/datasheet.jsp?part=active/0009652058_PCB_HEADERS.xml



Mates With Part(s):

5195 SPOX™ Crimp Housing, **5239** KK® Crimp Housing

GloTek, Inc. www.globtek.com 186 Veterans Drive, Northvale, NJ 07647 Tel. (201) 784-1000 Fax (201) 784-0111	Drawing Title: GTM41080-1817.9-2.9-F(Class I), Medical Power Supply, Efficiency Level: V, Case Color/Style: PCB, Open Frame/Internal, Regulated Switchmode AC-DC Power Supply AC Adaptor, Input Rating: 100-240V~, 50-60 Hz, Molex Header (or equal), . Output Rating: 18.00W, 15.0V@1.2A, Pin Out: 1 & 2=Negative (-V) / Gnd, 3 & 4= Positive (+V), Output Configuration: N/A mm, N/A/4 Cond, , Molex 4-Pin 2.54mm Pitch Friction Lock Header P/N 22-23-2041 (4 Circuit), Ferrite: None, N/A, GT Cord # C0269, Blades/Input Cord: (Order Separately), Approvals:	
	Model No. GTM41080-1817.9-2.9-F(Class I)	
	Part No./Ordering No. GTM41080-1815-FRV	Rev D

OUTPUT CORD AND CONNECTOR: MOLF4/C0269

ACTUAL CONNECTORS, OVERMOLDS, FERRITES MAY VARY SLIGHTLY FROM THE PICTURE BELOW

CABLE TYPE

CABLE LENGTH (mm)	N/A
CABLE TOLERANCE (mm)	N/A
WIRE GAUGE (AWG)	N/A
CONDUCTORS	4
HANK DIMENSION (mm)	
CABLE / CONNECTOR OVERMOLD COLOR	N/A
FERRITE TYPE AND DIMENSION	None
FERRITE NUMBER OF TURNS(Definition)	N/A
FERRITE DIMENSION FROM STRAIN RELIEF	N/A
FERRITE DIMENSION FROM PLUG	N/A
PLUG TYPE	Molex 4-Pin 2.54mm Pitch Friction Lock Header P/N 22-23-2041 (4 Circuit)
OVERMOLDED	No
CONNECTOR PIN OUT	1 & 2=Negative (-V) / Gnd, 3 & 4= Positive (+V)

Molex pinout shown below:



Pin 3,4: V+, Pin 1,2:V-

Note: JST equivalent connector has reversed pin designations.

Optional wiring kits available:

PN/Ordering No	Length	End A	End B
XHP410070M7XHP4(R)	70	JST XHP-4	JST XHP-4
XHP410070M7MLX3(R)	70	JST XHP-4	Molex 09-93-0300

Custom lengths, construction, cable types, ferrites, filters, and termination available upon request.

ADDITIONAL OUTPUT PLUG OPTIONS ARE AVAILABLE AT <https://www.globtek.com/en/connectors>

STANDARD PLUGS AND CONNECTORS CAN BE SEEN ONLINE AT <https://www.globtek.com/en/connectors>

CALCULATE VOLTAGE REGULATION/DROP WITH OUR ONLINE CALCULATOR: <https://www.globtek.com/r2/PtgjL>

GlobTek, Inc. www.globtek.com 186 Veterans Drive, Northvale, NJ 07647 Tel. (201) 784-1000 Fax (201) 784-0111	Drawing Title: GTM41080-1817.9-2.9-F(Class I), Medical Power Supply, Efficiency Level: V, Case Color/Style: PCB, Open Frame/Internal, Regulated Switchmode AC-DC Power Supply AC Adaptor, Input Rating: 100-240V~, 50-60 Hz, Molex Header (or equal), . Output Rating: 18.00W, 15.0V@1.2A, Pin Out: 1 & 2=Negative (-V) / Gnd, 3 & 4= Positive (+V), Output Configuration: N/A mm, N/A/4 Cond, , Molex 4-Pin 2.54mm Pitch Friction Lock Header P/N 22-23-2041 (4 Circuit), Ferrite: None, N/A, GT Cord # C0269, Blades/Input Cord: (Order Separately), Approvals:	
	Model No. GTM41080-1817.9-2.9-F(Class I)	
	Part No./Ordering No. GTM41080-1815-FRV	Rev D

OUTPUT CONNECTOR HOOK UP

TO ADDRESS SYSTEM-LEVEL EMI CONCERNS, FERRITE CHOKES/BEADS MAY BE ADDED/REVISED UPON REQUEST. A SAMPLE KIT OF GLOBTEK'S STANDARD FERRITES IS AVAILABLE UNDER GLOBTEK P/N: EMI-MITIGATION-KIT1

FOR ADDITIONAL INFORMATION, PLEASE READ OUR WHITE PAPER AT:

<https://www.globtek.com/en/technical-articles/ferrite-kit-radiated-emi-suppression-kit-for-globtek-power-supplies-cable-assemblies>

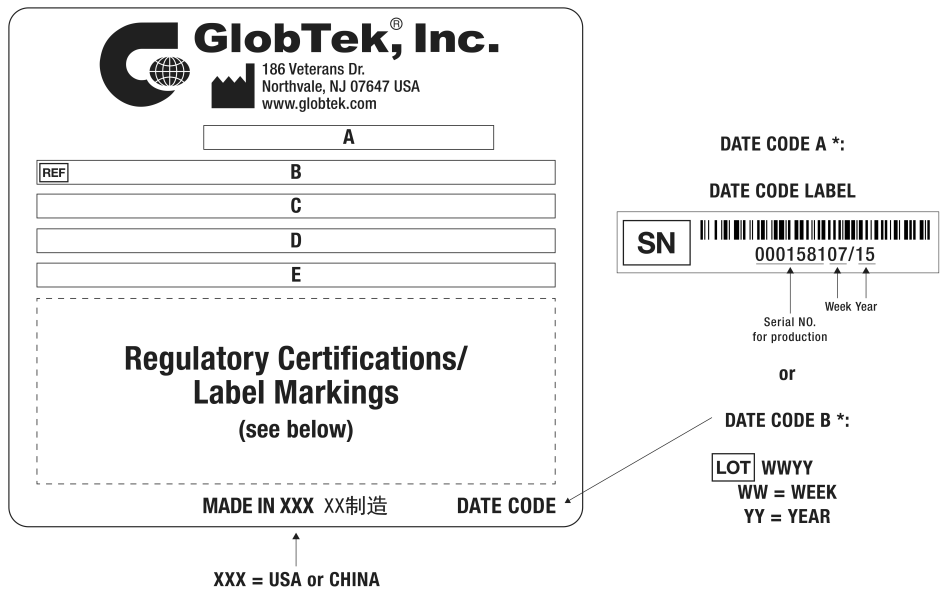
GlobTek, Inc. www.globtek.com 186 Veterans Drive, Northvale, NJ 07647 Tel. (201) 784-1000 Fax (201) 784-0111	Drawing Title: GTM41080-1817.9-2.9-F(Class I), Medical Power Supply, Efficiency Level: V, Case Color/Style: PCB, Open Frame/Internal, Regulated Switchmode AC-DC Power Supply AC Adaptor, Input Rating: 100-240V~, 50-60 Hz, Molex Header (or equal), . Output Rating: 18.00W, 15.0V@1.2A, Pin Out: 1 & 2=Negative (-V) / Gnd, 3 & 4= Positive (+V), Output Configuration: N/A mm, N/A/4 Cond, , Molex 4-Pin 2.54mm Pitch Friction Lock Header P/N 22-23-2041 (4 Circuit), Ferrite: None, N/A, GT Cord # C0269, Blades/Input Cord: (Order Separately), Approvals:	
	Model No. GTM41080-1817.9-2.9-F(Class I)	
	Part No./Ordering No. GTM41080-1815-FRV	Rev D

LABEL:L-1470

LABEL P/N	ISO 15223 medical device compliant label
MATERIAL	Flat Thermal Transfer, Imprintable, Polyester Label and/or Pad Printed and/or Molded, and/or Laser Engraved in the case
BACKGROUND COLOR	Black if housing is Black, White or Silver if housing is White or Gray.
TEXT COLOR	White or Silver if label is Black Background for Black housing. Black if label is White or Silver background and Housing is White or Gray.
LABEL WIDTH (mm)	25.4
LABEL HEIGHT (mm)	17.8
SPECIAL BARCODE LABEL MATERIAL	No

Below is the minimum information which will appear on the label. NOTE: in the logo area additional/actual positioning of symbols and text is subjected to change as per agency updates/requirements or additional model approvals become available.

Agency logos may be in Regulatory Certifications/Label Markings area on the label or molded into the case housing outside the label area. Information will be shown via Label and/or Pad Printed and/or Molded in the case.



- A=Medical Power Supply
- B=P/N: (料号) GTM41080-1815-FRV
- C=Model (型号) GTM41080-1817.9-2.9-F(Class I)
- D=Input (输入)100-240V~, 50-60 Hz, 0.6A
- E=Output (输出)15.0 V \equiv 1.2 A, 18.00W

GlobTek, Inc. www.globtek.com 186 Veterans Drive, Northvale, NJ 07647 Tel. (201) 784-1000 Fax (201) 784-0111	Drawing Title: GTM41080-1817.9-2.9-F(Class I), Medical Power Supply, Efficiency Level: V, Case Color/Style: PCB, Open Frame/Internal, Regulated Switchmode AC-DC Power Supply AC Adaptor, Input Rating: 100-240V~, 50-60 Hz, Molex Header (or equal), . Output Rating: 18.00W, 15.0V@1.2A, Pin Out: 1 & 2=Negative (-V) / Gnd, 3 & 4= Positive (+V), Output Configuration: N/A mm, N/A/4 Cond, , Molex 4-Pin 2.54mm Pitch Friction Lock Header P/N 22-23-2041 (4 Circuit), Ferrite: None, N/A, GT Cord # C0269, Blades/Input Cord: (Order Separately), Approvals:	
	Model No. GTM41080-1817.9-2.9-F(Class I)	
	Part No./Ordering No. GTM41080-1815-FRV	Rev D

AGENCY ONLINE DOCUMENTS	http://www.globtek.info/certs/GTM41080/
CE EC-Declaration for Medical	https://cs.globtek.info/ec_declaration_product?id=01ta0000003fdyp&m=1
CE EC-Declaration for Industrial/Commercial/ITE	Contact GlobTek for more information
CE EC-Declaration for Household	Contact GlobTek for more information
UKCA-Declaration for Medical	https://cs.globtek.info/ukca_declaration_product?id=01ta0000003fdyp&m=1
UKCA-Declaration for Industrial/Commercial/ITE	Contact GlobTek for more information
UKCA-Declaration for Household	Contact GlobTek for more information
Morocco SDoC Declaration	https://cs.globtek.info/Morocco_SDoC_Declaration?id=a0Oa000000C2xQjEAJ
RoHS/RoHS3 Declaration	https://www.globtek.com/pdf/rohs_cert/01ta0000003fdypAAA
REACH Declaration	https://www.globtek.com/pdf/iso_certificates/REACH.pdf
Conflict Minerals Declaration	https://www.globtek.com/pdf/conflict-minerals.pdf
Prop 65 Statement	https://www.globtek.com/prop-65-statement.pdf

IPXY rating is based on 3rd party testing and customers should check suitability and test system level IPXY rating before ordering.

Regulatory Certifications/Label Markings

Below follows a link to the latest regulatory certifications and marks for this specific product. National standards as well as certification schemes are constantly changing and so is the set of certification marks and symbols applicable to this product. Various standards, marks and symbols, and certificates are subject to change at any time without notice.

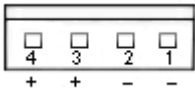
Additional standards or unique country certifications are available upon request. Please contact Globtek to request a quotation.

LATEST PRODUCT/MODEL CERTIFICATIONS: <https://www.globtek.com/ds/7ZAGxM2QaWv/HtsrGbyAd5w.html>

AGENCY ONLINE DOCUMENTS <http://www.globtek.info/certs/GTM41080/>



(E1) Earthed output



1 & 2=Negative (-V) / Gnd, 3 & 4= Positive (+V)

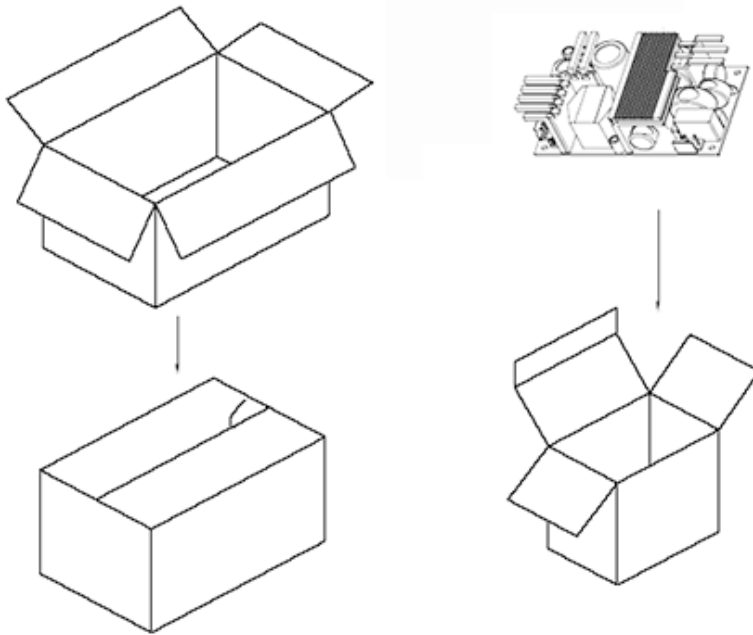
GlobTek, Inc. www.globtek.com 186 Veterans Drive, Northvale, NJ 07647 Tel. (201) 784-1000 Fax (201) 784-0111	Drawing Title: GTM41080-1817.9-2.9-F(Class I), Medical Power Supply, Efficiency Level: V, Case Color/Style: PCB, Open Frame/Internal, Regulated Switchmode AC-DC Power Supply AC Adaptor, Input Rating: 100-240V~, 50-60 Hz, Molex Header (or equal), . Output Rating: 18.00W, 15.0V@1.2A, Pin Out: 1 & 2=Negative (-V) / Gnd, 3 & 4= Positive (+V), Output Configuration: N/A mm, N/A/4 Cond, , Molex 4-Pin 2.54mm Pitch Friction Lock Header P/N 22-23-2041 (4 Circuit), Ferrite: None, N/A, GT Cord # C0269, Blades/Input Cord: (Order Separately), Approvals:	
	Model No. GTM41080-1817.9-2.9-F(Class I)	
	Part No./Ordering No. GTM41080-1815-FRV	Rev D

PACKAGING

Packing Spec P/N	Standard OF, Individually Box
Packing Quantity/Multiple/MPQ	224
Gift Box Size (mm)	90 x 45 x 30
Gift Box Color	White
Master Carton Size (mm)	380 x 380 x 250
Master Carton Cubic Volume (m ³)	0.04
Master GW (Kg)	12.8 kg
BLADES INCLUDED	None: (Order Separately)
BLADE/CORD INSTALLED	None: (Order Separately)
USER MANUAL*	N/A User Manual
USER MANUAL WEB LINK	

* This specification sheet is considered the user manual for all applications. It is expected that the buyer of this product will use it to formulate their own user manual for their end product and a user manual specifically for the power adapter is not usually required. If a user manual is not specifically listed above then none will be provided with this unit.

If specific packaging is required, this section must specify all requirements and note "no exceptions". If this section does not specify packaging, it is subject to change without notice at GlobTek's discretion
(Power Supply in picture for reference only)



PROPRIETARY INFORMATION

GlobTek, Inc. www.globtek.com 186 Veterans Drive, Northvale, NJ 07647 Tel. (201) 784-1000 Fax (201) 784-0111	Drawing Title: GTM41080-1817.9-2.9-F(Class I), Medical Power Supply, Efficiency Level: V, Case Color/Style: PCB, Open Frame/Internal, Regulated Switchmode AC-DC Power Supply AC Adaptor, Input Rating: 100-240V~, 50-60 Hz, Molex Header (or equal), . Output Rating: 18.00W, 15.0V@1.2A, Pin Out: 1 & 2=Negative (-V) / Gnd, 3 & 4= Positive (+V), Output Configuration: N/A mm, N/A/4 Cond, , Molex 4-Pin 2.54mm Pitch Friction Lock Header P/N 22-23-2041 (4 Circuit), Ferrite: None, N/A, GT Cord # C0269, Blades/Input Cord: (Order Separately), Approvals:	
	Model No. GTM41080-1817.9-2.9-F(Class I)	
	Part No./Ordering No. GTM41080-1815-FRV	Rev D

INSTRUCTIONS TO THE OEM SYSTEMS ENGINEER

It is the responsibility of the OEM systems engineer to provide the end system user instructions and warnings for the use of this product in the end system.

If an input cord is required for this product, AC Mains voltage should be provided to the power supply by a power supply cord approved to the national standards of the country in which it will be used.

This product is not designed to be repaired. No serviceable parts inside. A blown internal fuse is an indication of catastrophic failure of circuit component(s). If a Failure Analysis is required for a failed power supply/battery charger, please return the damaged unit to GlobTek for an accurate determination of the root cause of the failure.

EMC Compliance of the complete OEM product, including the GlobTek power supply/battery charger needs to be verified by the OEM systems engineer.

GlobTek, Inc. www.globtek.com 186 Veterans Drive, Northvale, NJ 07647 Tel. (201) 784-1000 Fax (201) 784-0111	Drawing Title: GTM41080-1817.9-2.9-F(Class I), Medical Power Supply, Efficiency Level: V, Case Color/Style: PCB, Open Frame/Internal, Regulated Switchmode AC-DC Power Supply AC Adaptor, Input Rating: 100-240V~, 50-60 Hz, Molex Header (or equal), . Output Rating: 18.00W, 15.0V@1.2A, Pin Out: 1 & 2=Negative (-V) / Gnd, 3 & 4= Positive (+V), Output Configuration: N/A mm, N/A/4 Cond, , Molex 4-Pin 2.54mm Pitch Friction Lock Header P/N 22-23-2041 (4 Circuit), Ferrite: None, N/A, GT Cord # C0269, Blades/Input Cord: (Order Separately), Approvals:	
	Model No. GTM41080-1817.9-2.9-F(Class I)	
	Part No./Ordering No. GTM41080-1815-FRV	Rev D

INSTRUCTION SHEET

N/A

GlobTek, Inc. www.globtek.com 186 Veterans Drive, Northvale, NJ 07647 Tel. (201) 784-1000 Fax (201) 784-0111	Drawing Title: GTM41080-1817.9-2.9-F(Class I), Medical Power Supply, Efficiency Level: V, Case Color/Style: PCB, Open Frame/Internal, Regulated Switchmode AC-DC Power Supply AC Adaptor, Input Rating: 100-240V~, 50-60 Hz, Molex Header (or equal), . Output Rating: 18.00W, 15.0V@1.2A, Pin Out: 1 & 2=Negative (-V) / Gnd, 3 & 4= Positive (+V), Output Configuration: N/A mm, N/A/4 Cond, , Molex 4-Pin 2.54mm Pitch Friction Lock Header P/N 22-23-2041 (4 Circuit), Ferrite: None, N/A, GT Cord # C0269, Blades/Input Cord: (Order Separately), Approvals:	
	Model No. GTM41080-1817.9-2.9-F(Class I)	
	Part No./Ordering No. GTM41080-1815-FRV	Rev D

