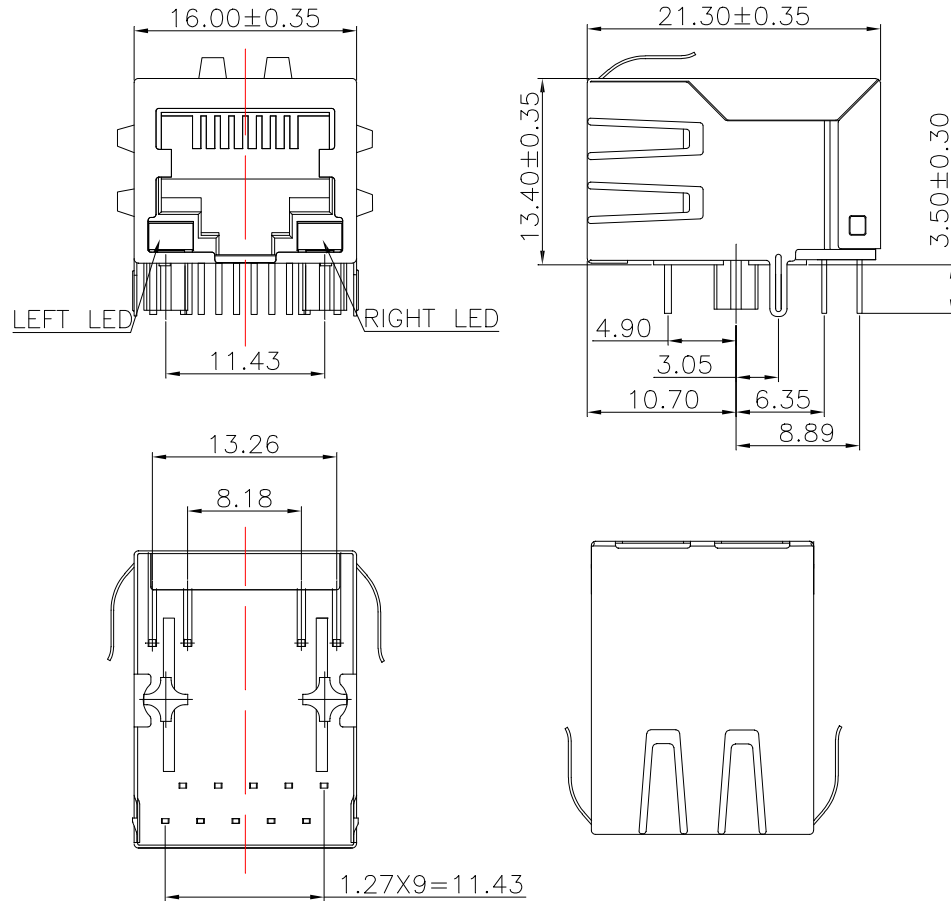


RoHS Mechanicals:

REV.	ECN NO.	LOCATIONS	DESCRIPTION	DATE	DESIGN
A		N/A	New Design	2022.4.25	Jerry Li

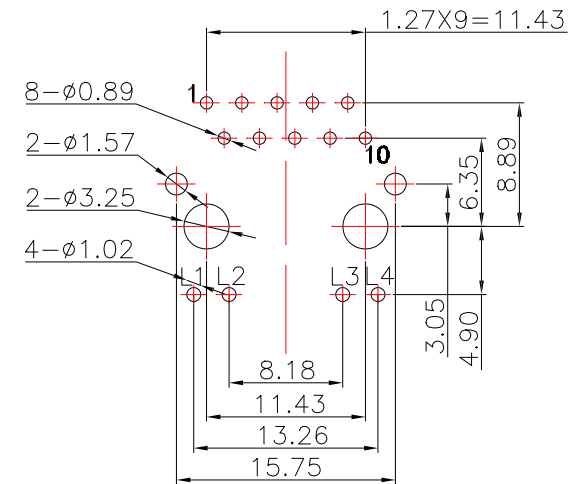


1. Material:

- 1.1 Housing: PBT UL94V-0 Black.
- 1.2 Contact :Phosphor Bronze,Gold plated on contact area 6u".
- 1.3 Input Terminal : Brass.
- 1.4 Metal shielding:Copper alloy with Nickel plated.

2.Environmental requirements:

- 2.1 Lead-free process,compliant RoHS.

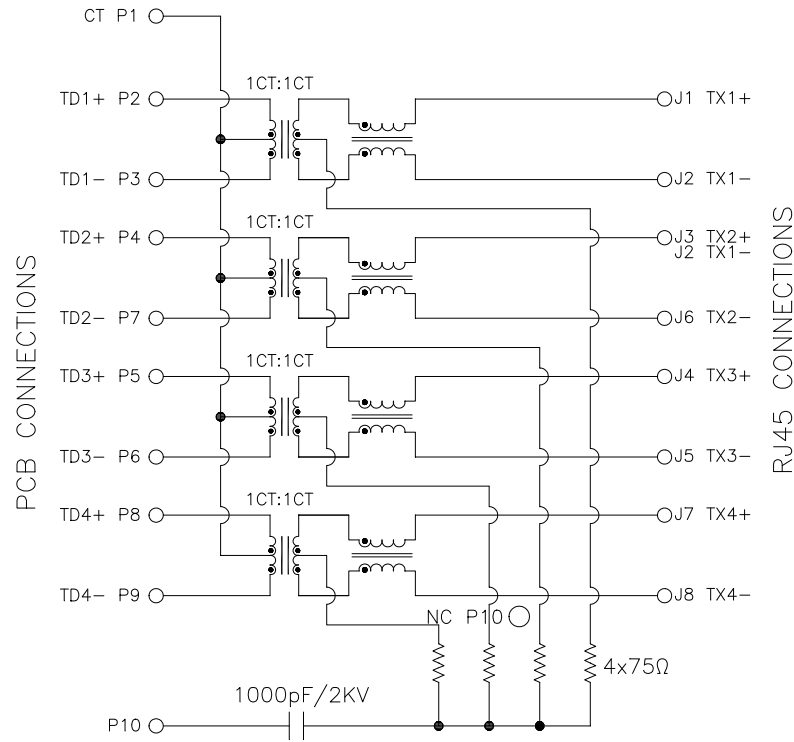


Suggested PCB Layout(Top View)
(Tolerance: ± 0.05)

 UNIT: mm [inch] TOLERANCE: Unless Otherwise Specified Tolerance Are ± 0.25 mm	深圳市华灿天禄电子有限公司	
	DESIGN: Jerry Li	PART NAME: RJ45 1x1 Dip Tab Zero Giga Base With LED 6u" BS
	CHECKED: Jerry Li	PART NO. HC911130C-M892-A
	APPROVED: J Mou	DRAW NO. SLW-M892-A
SCALE:1:1 SIZE:A4	SHEET NO. 01 OF 02	

RoHS Mechanicals:

REV.	ECN NO.	LOCATIONS	DESCRIPTION	DATE	DESIGN
A		N/A	New Design	2022.4.25	Jerry Li



3. Electrical Specification @25°C:

3.1 Inductance: 350uH Min With 8mA DC bias.

3.2 Insertion loss :
1-100MHZ -1dB max.

3.3 Return loss :
1-30MHZ -18dB min.
30-60MHZ -16dB min.
60-80MHZ -12dB min.
60-100MHZ -10dB min.

3.4 Common Mode Rejection: 1-100MHZ -30dB min.

3.5 Cross Talk: 1-100MHZ -30dB min.

4. Operating and Storage Temperature:

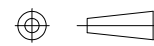
4.1 Operating Temperature : 0°C to +70°C.

4.2 Storage Temperature : -40°C to +85°C.

5. Wave soldering peak temperature: 260°C.



Emitting Color	λ_p (nm)	Vf@If=20mA
Green	565	1.8-2.5V
YELLOW	585	1.8-2.5V



UNIT: mm [inch]

TOLERANCE:

Unless Otherwise Specified
Tolerance Are ±0.25mm

SCALE:1:1 SIZE:A4

深圳市华灿天禄电子有限公司

DESIGN: Jerry Li

CHECKED: Jerry Li

APPROVED: J Mou

PART NAME:

RJ45 1x1 Dip 7pin Conn Ciga Base With LED 6x3 SS

PART NO.

HC911130C-M892-A

DRAW NO.

SLW-M892-A

SHEET NO.

02 OF 02