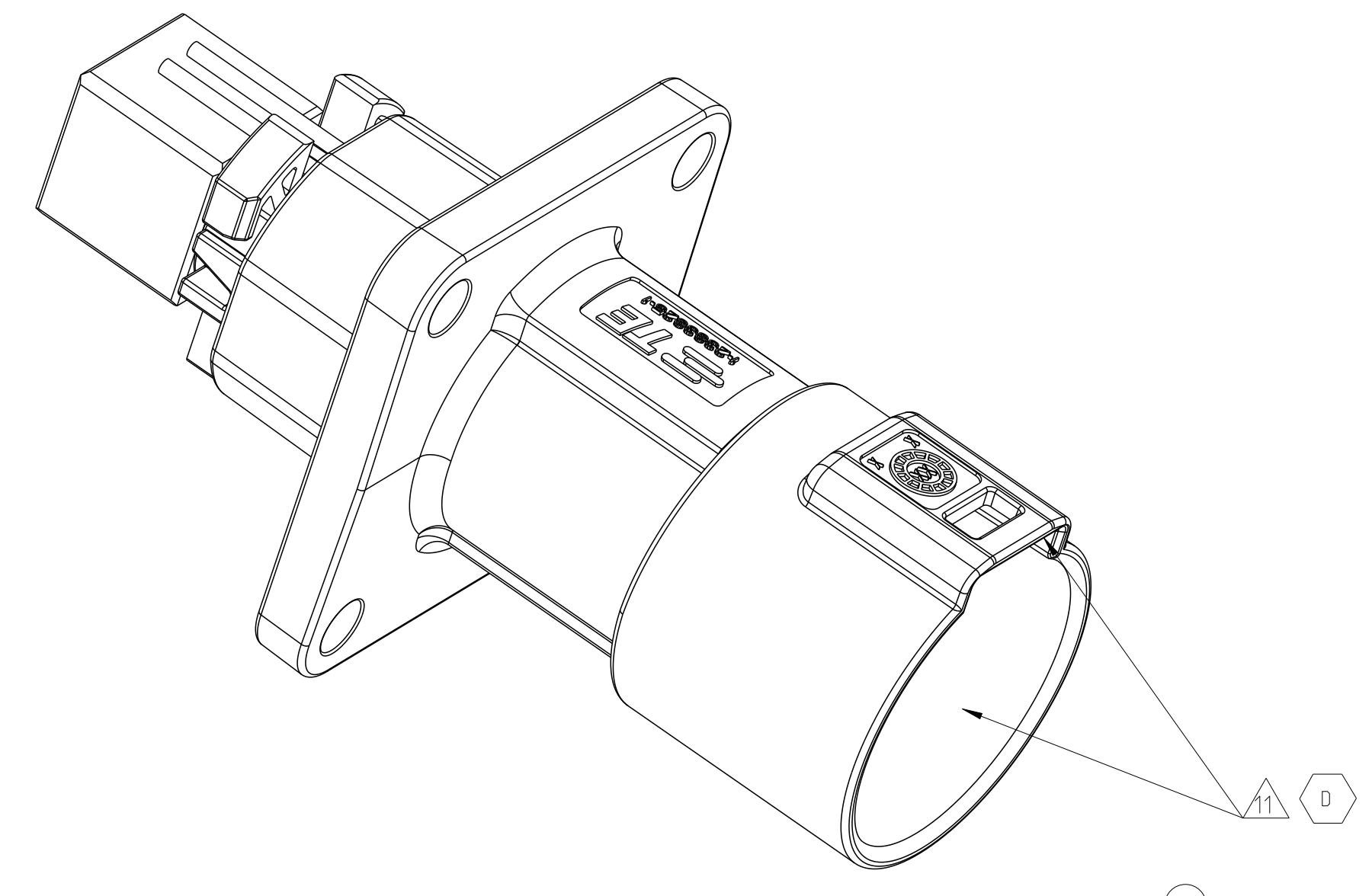
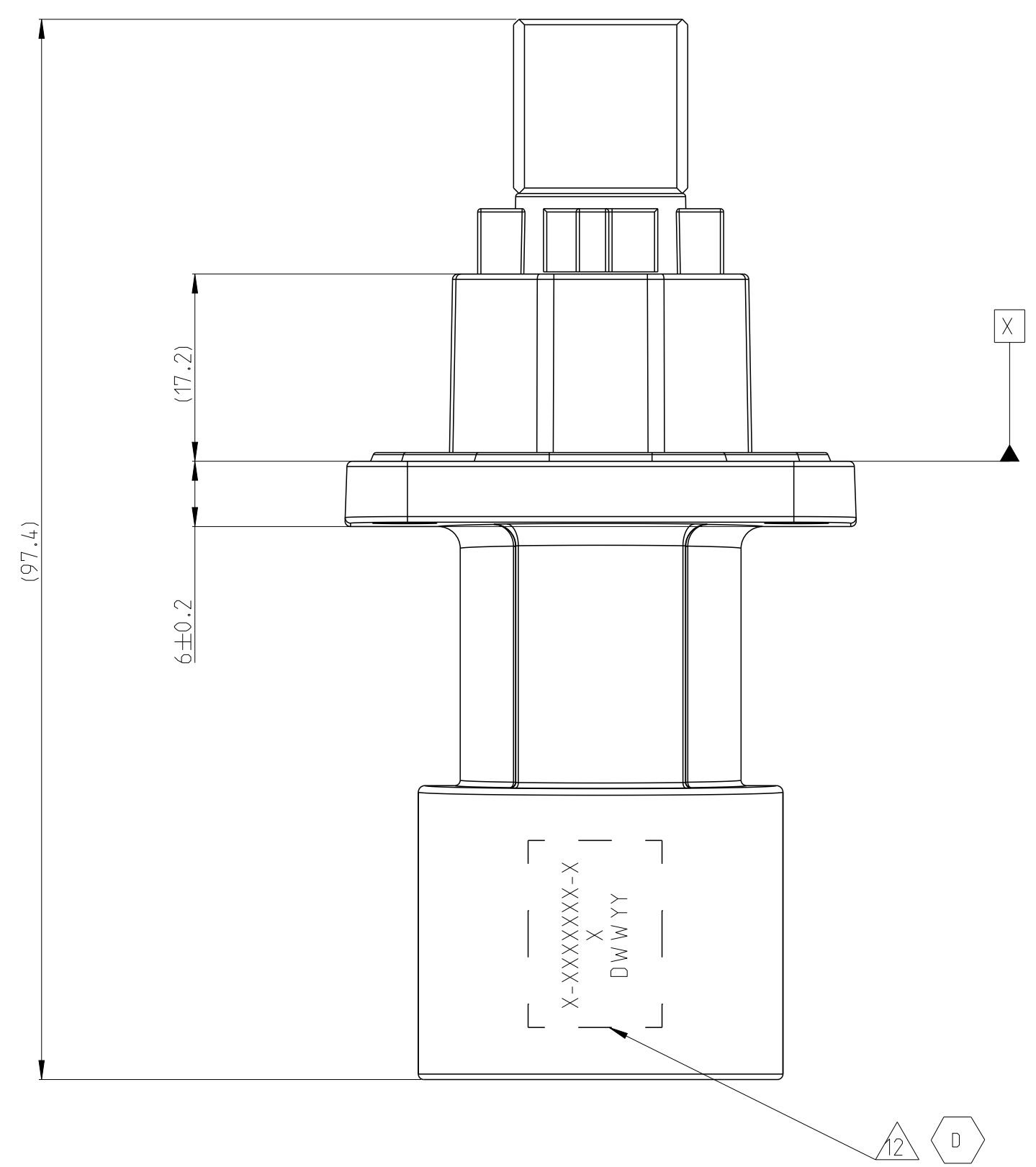
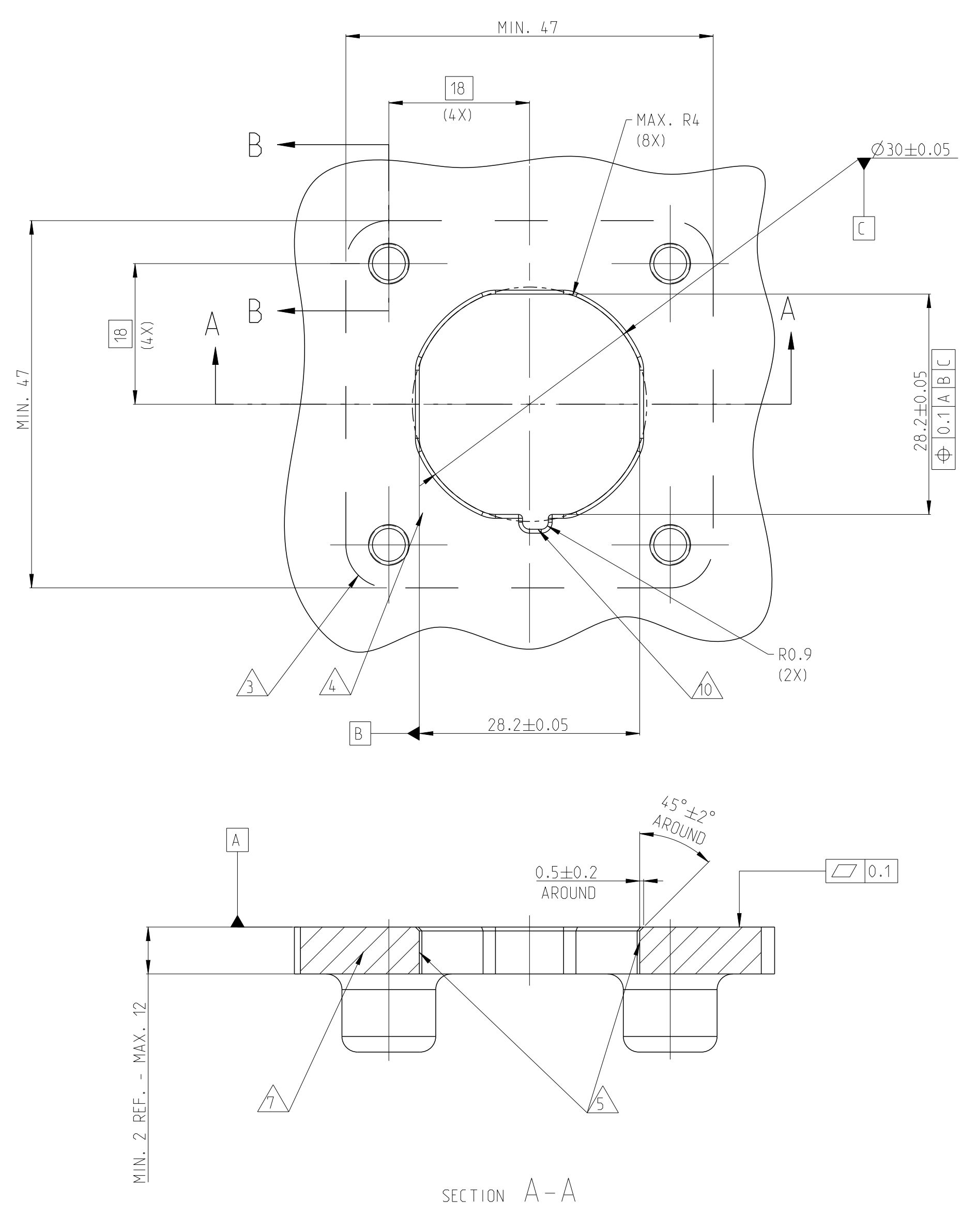
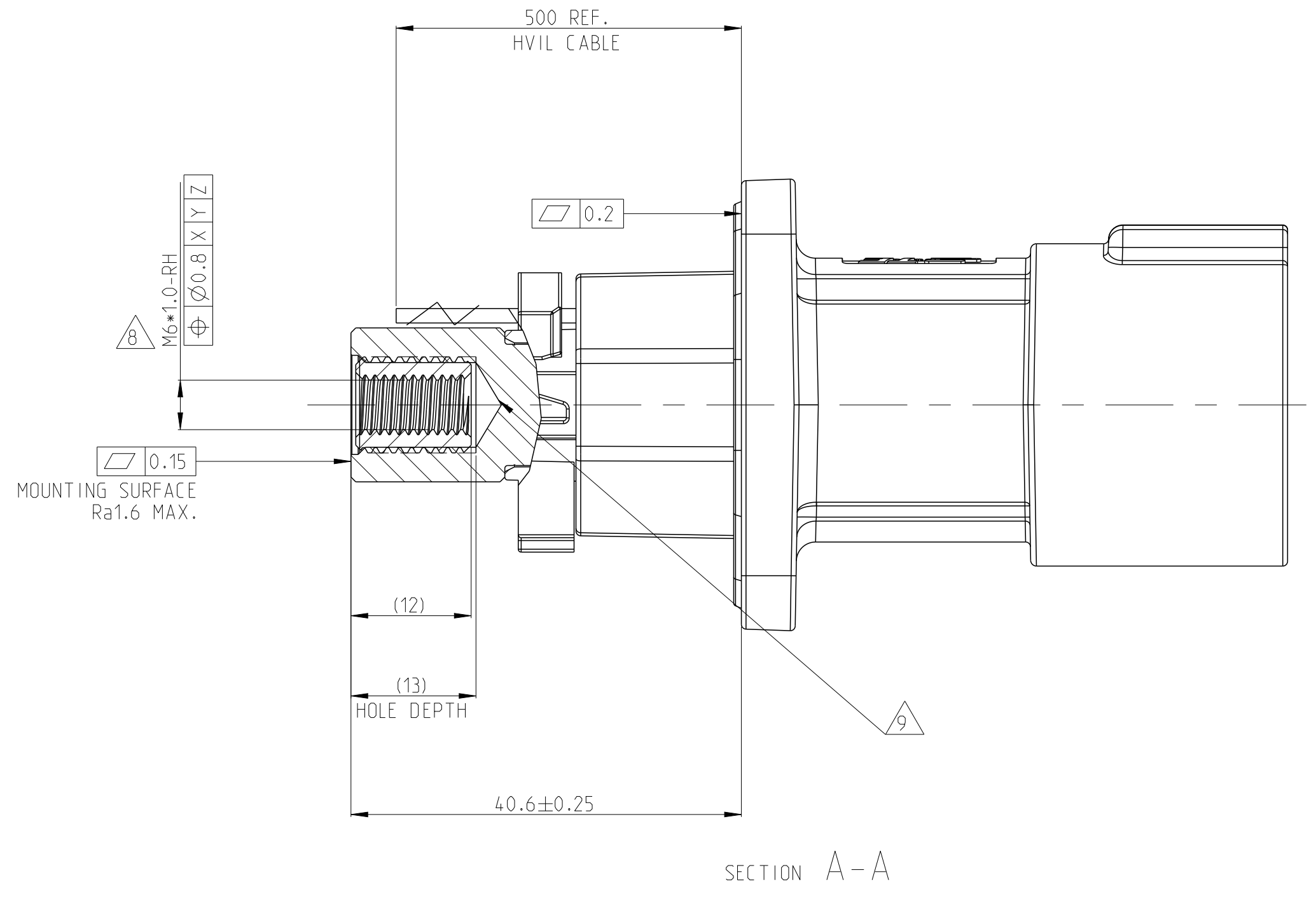
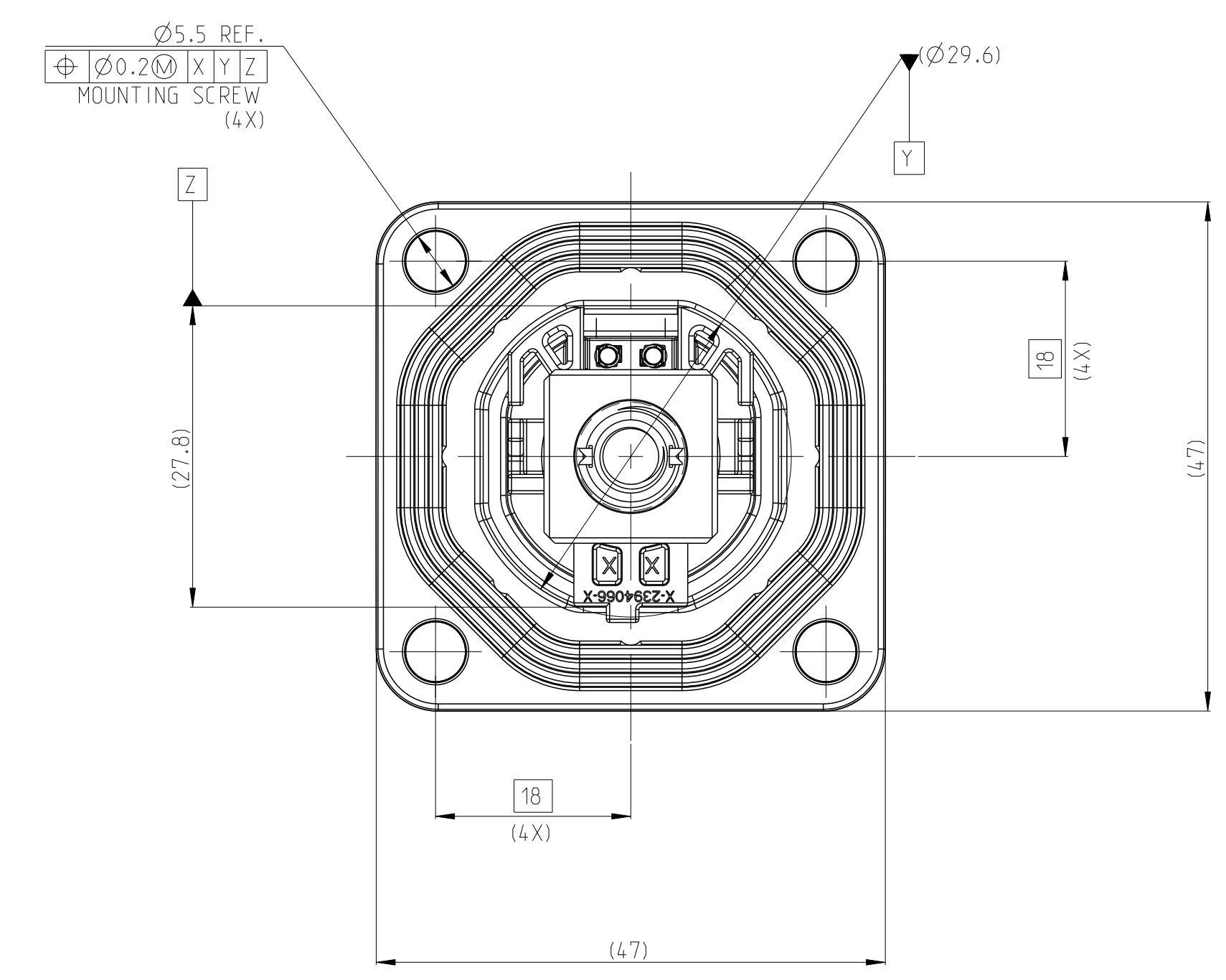
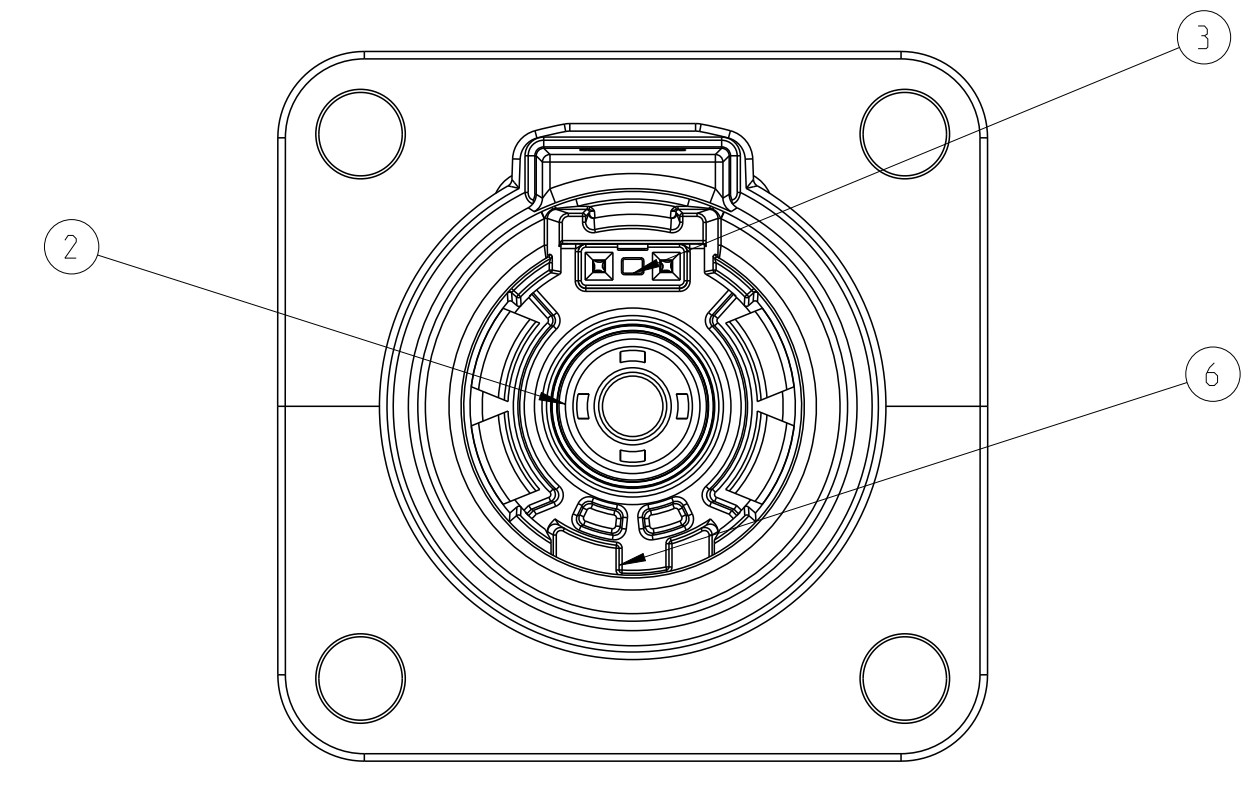
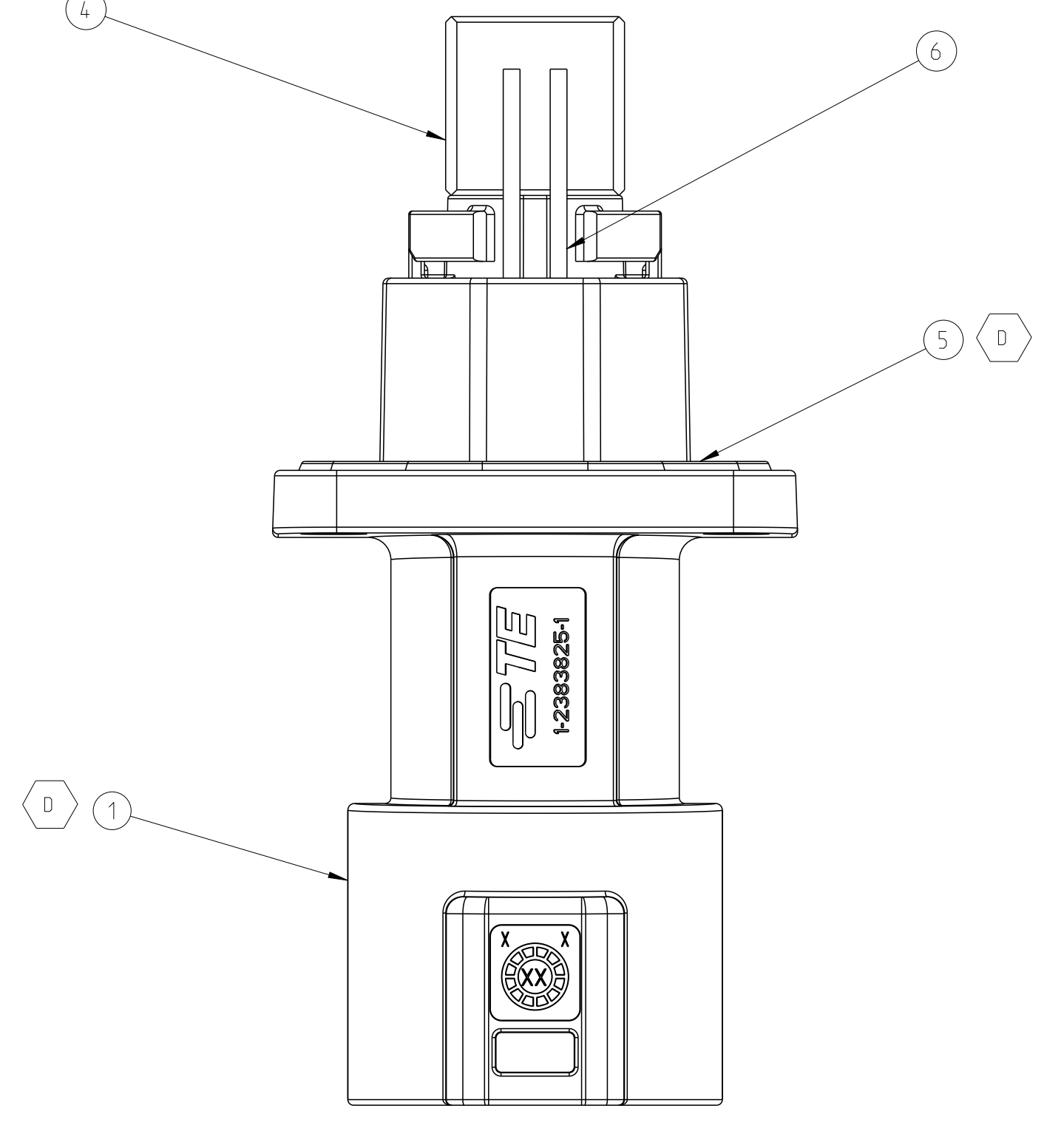


REVISIONS			
REV	DATE	DESCRIPTION	BY
A1	04MAY22	SCREW HOLE DIM. ADDED	C.C.
B	24JUL23	PLUG FINISHED, HEAT TREATED AND SHIMMER ADDED. CAP MATERIAL FINISHED. CODE HOUSING FINISHED. (SEE DIMENSIONS)	C.C.
C	30DEC23	CODE HOUSING IMPROVEMENT ON PIN RETENTION TORQUE	C.C.
D	30MAR24	HEADER HOUSING COATING CHANGED. LUBRICANT ADDED. HWL MFG ADDED. (SEE DIMENSIONS)	C.C.

ADAPTER PLATE - HVP-HD1000 1POS HEADER INTERFACE



8--1 AS SHOWN



TE-ASSY-NO.	TE REV.	CODE	DESCRIPTION	DESCRIPTION	CODE	MATERIAL	SURFACE COLOR/TREATMENT	WEIGHT (g)	QTY	ITEM
9-2394060-3	D	M	1POS.PIN DIA 10.0 HDR ASSY.180DEG	CODE HOUSING FOLLOW 8-2394060-1	M	PA66-GF	AQUA RED	(14.0)	1	7
9-2394060-2	D	L	1POS.PIN DIA 10.0 HDR ASSY.180DEG	CODE HOUSING FOLLOW 8-2394060-1	L	PA66-GF	AQUA BROWN	(14.0)	1	7
9-2394060-1	D	K	1POS.PIN DIA 10.0 HDR ASSY.180DEG	CODE HOUSING FOLLOW 8-2394060-1	K	PA66-GF	AQUA GREEN	(14.0)	1	7
8-2394060-9	D	J	1POS.PIN DIA 10.0 HDR ASSY.180DEG	CODE HOUSING FOLLOW 8-2394060-1	J	PA66-GF	ORANGE	(14.0)	1	7
8-2394060-8	D	H	1POS.PIN DIA 10.0 HDR ASSY.180DEG	CODE HOUSING FOLLOW 8-2394060-1	H	PA66-GF	YELLOW	(14.0)	1	7
8-2394060-7	D	G	1POS.PIN DIA 10.0 HDR ASSY.180DEG	CODE HOUSING FOLLOW 8-2394060-1	G	PA66-GF	RED	(14.0)	1	7
8-2394060-6	D	F	1POS.PIN DIA 10.0 HDR ASSY.180DEG	CODE HOUSING FOLLOW 8-2394060-1	F	PA66-GF	BROWN	(14.0)	1	7
8-2394060-5	D	E	1POS.PIN DIA 10.0 HDR ASSY.180DEG	CODE HOUSING FOLLOW 8-2394060-1	E	PA66-GF	GREEN	(14.0)	1	7
8-2394060-4	D	D	1POS.PIN DIA 10.0 HDR ASSY.180DEG	CODE HOUSING FOLLOW 8-2394060-1	D	PA66-GF	PURPLE	(14.0)	1	7
8-2394060-3	D	C	1POS.PIN DIA 10.0 HDR ASSY.180DEG	CODE HOUSING FOLLOW 8-2394060-1	C	PA66-GF	BLUE	(14.0)	1	7
8-2394060-2	D	B	1POS.PIN DIA 10.0 HDR ASSY.180DEG	CODE HOUSING FOLLOW 8-2394060-1	B	PA66-GF	NATURE	(14.0)	1	7
8-2394060-1	D	A	1POS.PIN DIA 10.0 HDR ASSY.180DEG	CODE HOUSING HVIL WIRE (LEONI MOCAR 180 E 0.550MM, WHITE ACCORDING TO L1112) WITH TERMINAL FACE SEAL BUSBAR, TOP SIDE HEADER TPA FINGER PROTECTION CAP HEADER HOUSING 180DEG	A	PA66-GF	BLACK	(14.0)	1	7
									2	6
									1	5
									1	4
									1	3
									1	2
									1	1

- 1. SUITABLE COUNTERPART HVP-HD1000 PLUG. SEE TE CONNECTIVITY PRODUCT DRAWING. TE-NO.: 2394115 AND 241905 (EMP1).
- CODING VARIANT
- MOUNTING SPACE FOR HEADER
- SEALING AREA: NO BURR, TOOL PARTING, SHRINKAGE, CAVITIES AND GATE MARKS PERMITTED. SURFACE ROUGHNESS: Ra=1.6
- DRAFT ANGLE UP TO 0.5° PERMITTED
- MOUNTING SCREW M5 (RECOMMENDED SCREW PLATING: ZINC-NICKEL). SCREW TYPE UP TO MANUFACTURER
- MATERIAL: CORROSION RESISTANT, ELECTROCONDUCTIVE
- SCREW M6 FOR BUSBAR CONNECTION
- ALL THREAD HOLES ARE BLIND HOLES
- INTERFACE PANEL CODE SEE SHEET 5
- LUBRICANT APPLIED ON THE RADIAL SEAL AREA AND CPA AREA
- ASSEMBLY PN: X-XXXXXX-X
ASSEMBLY REV: X
DATE CODE: DWYY

THIS DRAWING IS A CONTROLLED DOCUMENT.

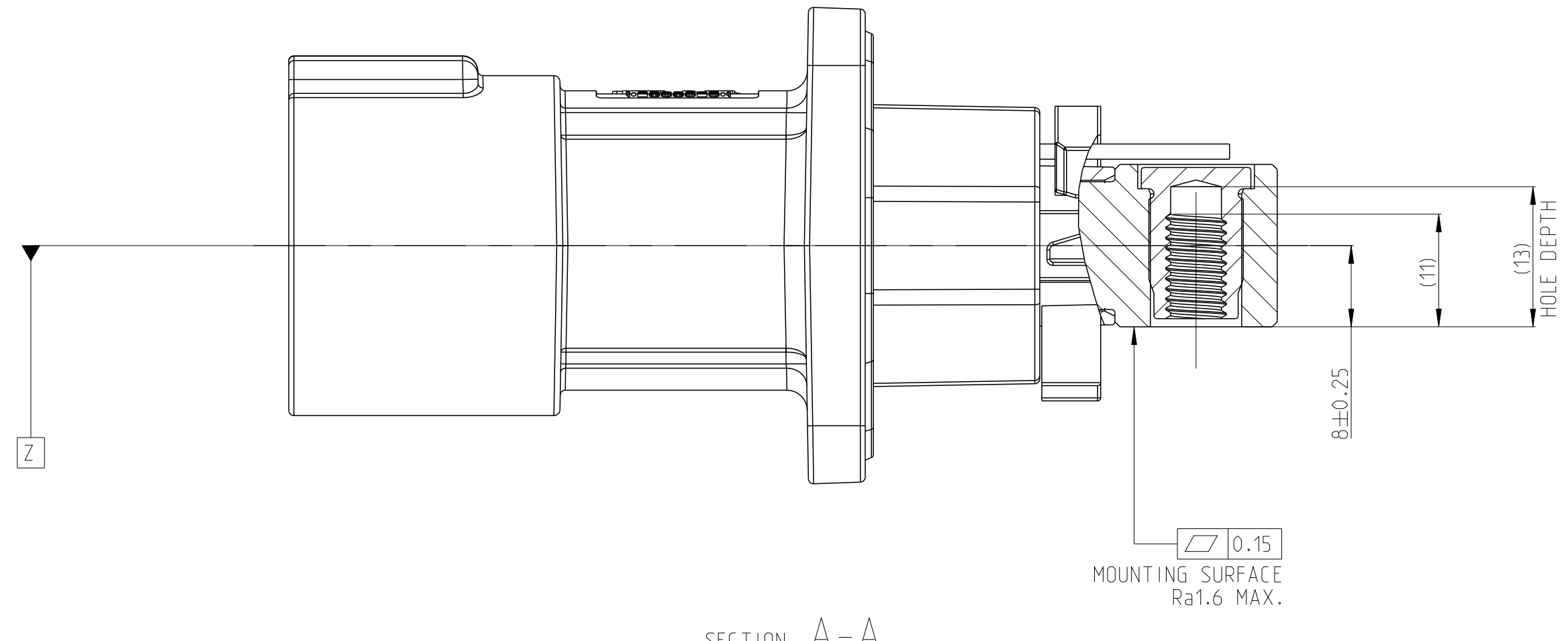
DATE: 30AUG2021	REV: 1	BY: C.C.
DATE: 30AUG2021	REV: 2	BY: C.C.
DATE: 30AUG2021	REV: 3	BY: C.C.

TE Connectivity

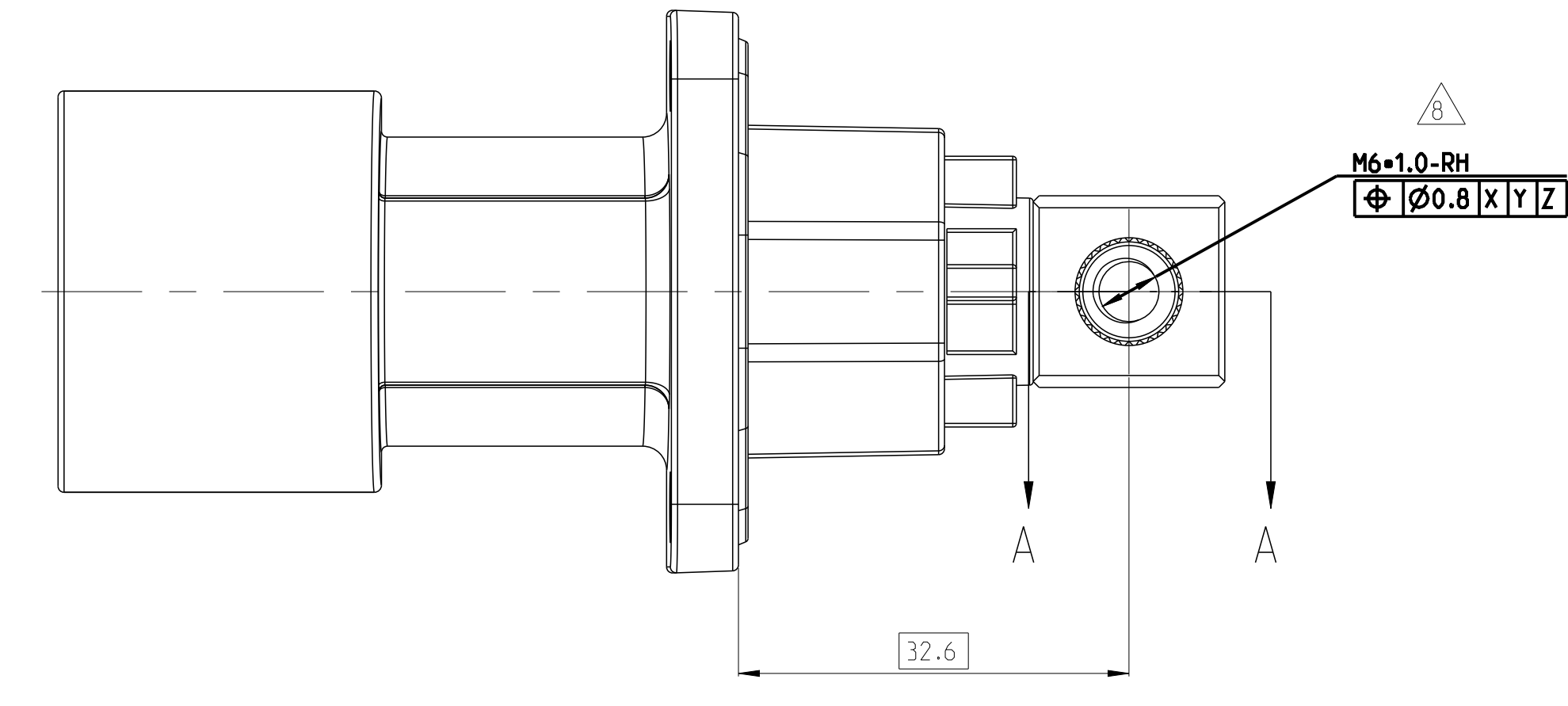
1POS.PIN DIA 10.0 HDR ASSY.180DEG
HVP-HD1000

SCALE: 2:1 SHEET 1 OF 5

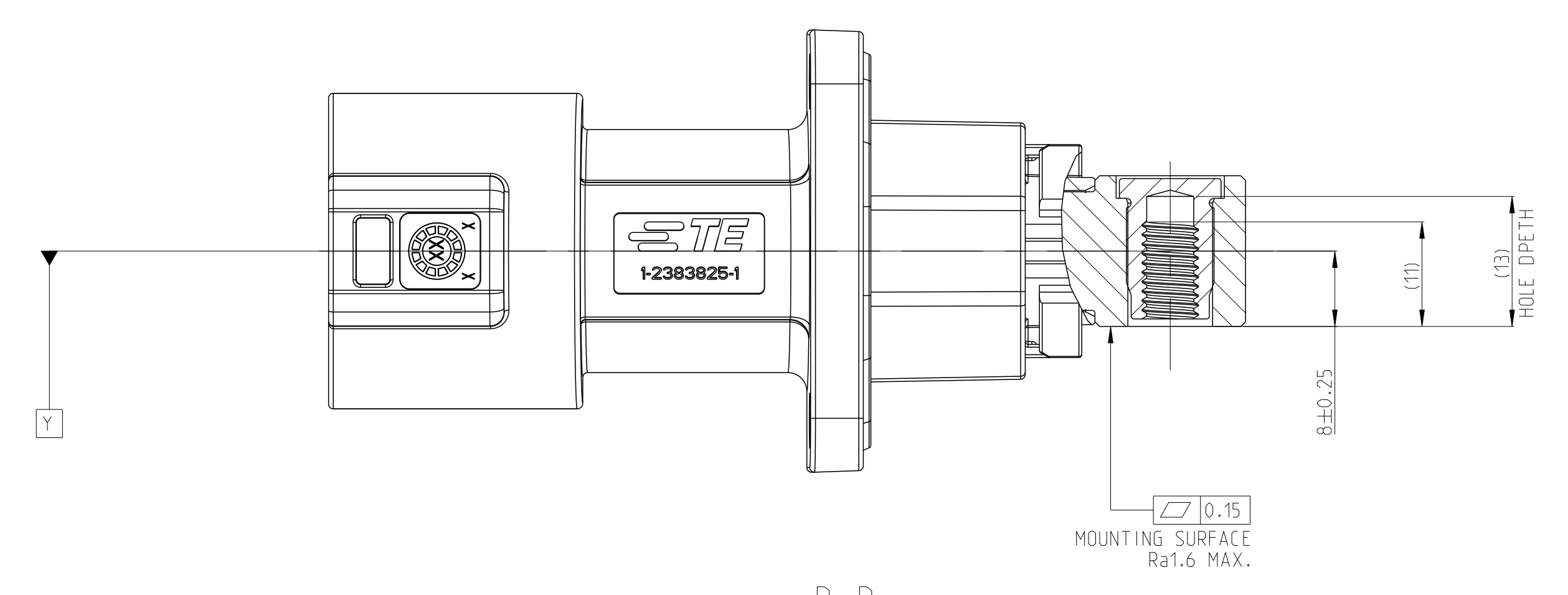
REVISIONS			
REV	DATE	BY	APPD
1			
SEE SHEET 1			



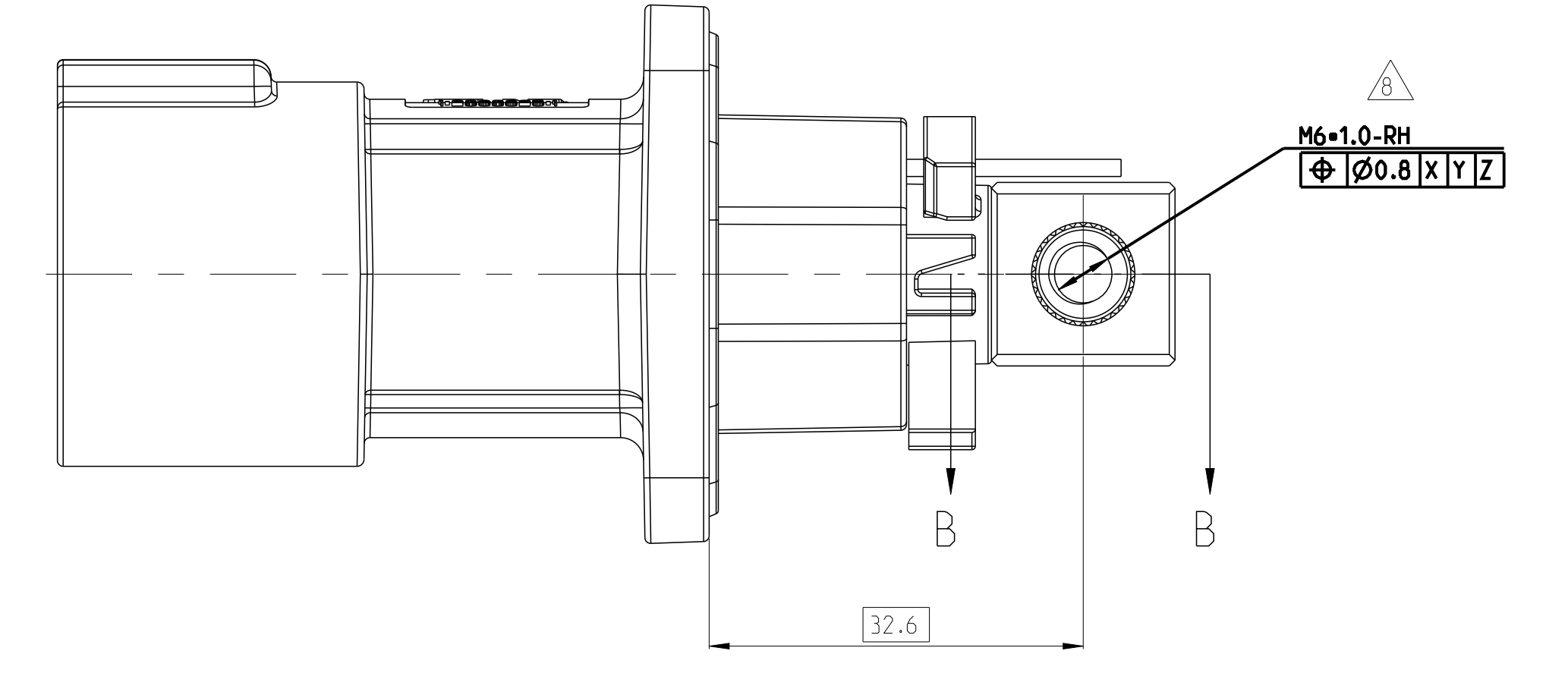
SECTION A-A



1. MISSING DIMENSIONS REFER TO 8-2394060-1



SECTION B-B



1. MISSING DIMENSIONS REFER TO 8-2394060-1

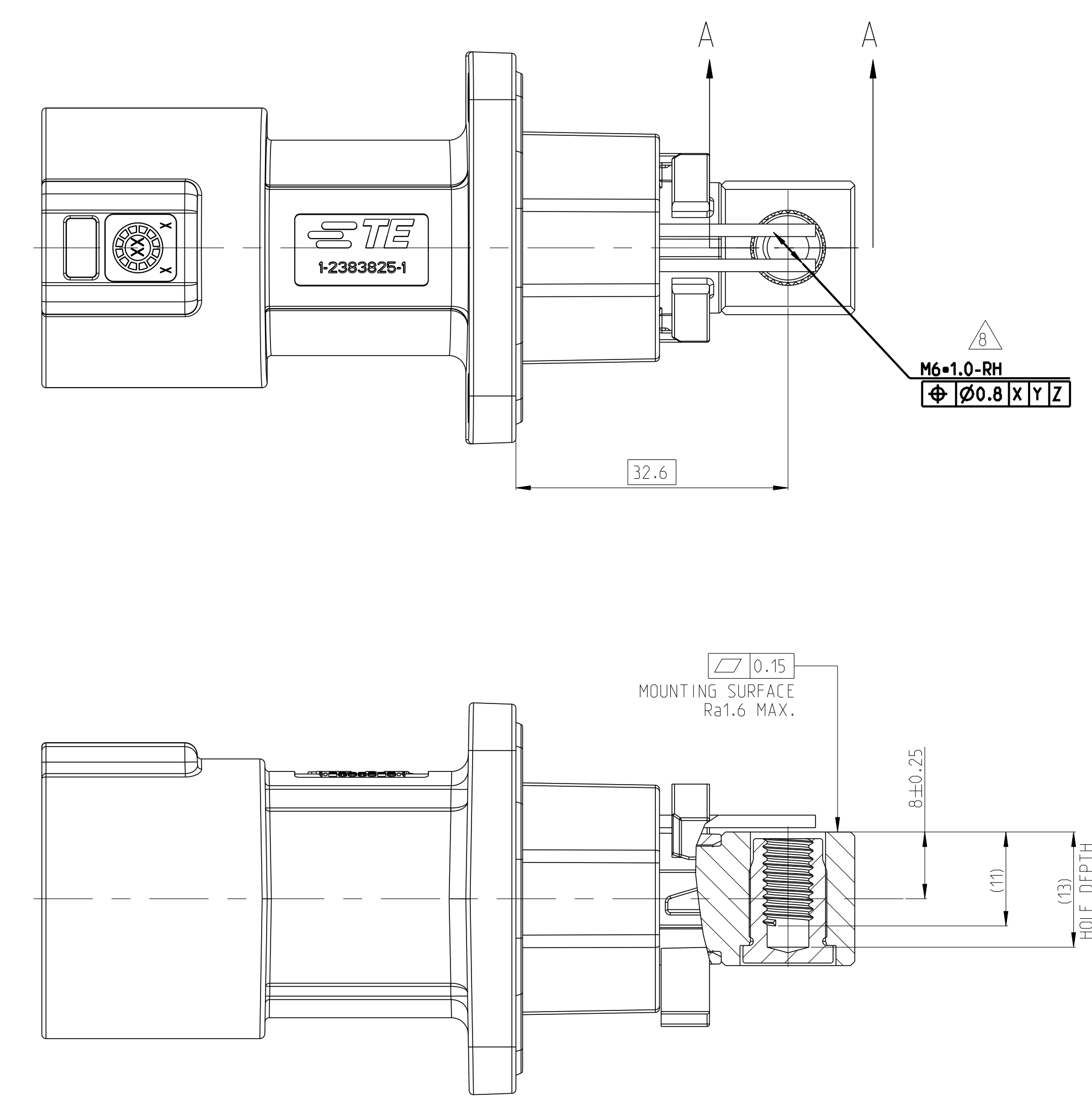
TE-ASSY-NO.	TE REV.	CODE	DESCRIPTION	DESCRIPTION	CODE	MATERIAL	SURFACE COLOR /TREATMENT	WEIGHT (g)	QTY	ITEM
1-2394060-3	D	M	1POS.PIN DIA 10.0 HDR ASSY.180DEG	CODE HOUSING FOLLOW 2394060-1	M	PA66-GF	AQUA RED	(14.0)	1	7
1-2394060-2	D	L	1POS.PIN DIA 10.0 HDR ASSY.180DEG	CODE HOUSING FOLLOW 2394060-1	L	PA66-GF	AQUA BROWN	(14.0)	1	7
1-2394060-1	D	K	1POS.PIN DIA 10.0 HDR ASSY.180DEG	CODE HOUSING FOLLOW 2394060-1	K	PA66-GF	AQUA GREEN	(14.0)	1	7
2394060-9	D	J	1POS.PIN DIA 10.0 HDR ASSY.180DEG	CODE HOUSING FOLLOW 2394060-1	J	PA66-GF	ORANGE	(14.0)	1	7
2394060-8	D	H	1POS.PIN DIA 10.0 HDR ASSY.180DEG	CODE HOUSING FOLLOW 2394060-1	H	PA66-GF	YELLOW	(14.0)	1	7
2394060-7	D	G	1POS.PIN DIA 10.0 HDR ASSY.180DEG	CODE HOUSING FOLLOW 2394060-1	G	PA66-GF	RED	(14.0)	1	7
2394060-6	D	F	1POS.PIN DIA 10.0 HDR ASSY.180DEG	CODE HOUSING FOLLOW 2394060-1	F	PA66-GF	BROWN	(14.0)	1	7
2394060-5	D	E	1POS.PIN DIA 10.0 HDR ASSY.180DEG	CODE HOUSING FOLLOW 2394060-1	E	PA66-GF	GREEN	(14.0)	1	7
2394060-4	D	D	1POS.PIN DIA 10.0 HDR ASSY.180DEG	CODE HOUSING FOLLOW 2394060-1	D	PA66-GF	PURPLE	(14.0)	1	7
2394060-3	D	C	1POS.PIN DIA 10.0 HDR ASSY.180DEG	CODE HOUSING FOLLOW 2394060-1	C	PA66-GF	BLUE	(14.0)	1	7
2394060-2	D	B	1POS.PIN DIA 10.0 HDR ASSY.180DEG	CODE HOUSING FOLLOW 2394060-1	B	PA66-GF	NATURE	(14.0)	1	7
2394060-1	D	A	1POS.PIN DIA 10.0 HDR ASSY.180DEG	CODE HOUSING	A	PA66-GF	BLACK	1	7	(14.0)
				HVIL WIRE (LEDNI MOCAR 180 E 0.55QMM. WHITE ACCORDING TO LV112) WITH TERMINAL	-	-	-	2	6	
				FACE SEAL	-	SILICONE	RED	1	5	
				BUSBAR, FRONT SIDE	-	COPPER	AG PLATED	1	4	
				HEADER TPA	-	PA66-GF	RED	1	3	
				FINGER PROTECTION CAP	-	PA66	BLACK	1	2	
HEADER HOUSING 180DEG	-	AL-ALLOY	PASSIVATION	1	1					

3-2394060-3	D	M	1POS.PIN DIA 10.0 HDR ASSY.180DEG	CODE HOUSING FOLLOW 2-2394060-1	M	PA66-GF	AQUA RED	(14.0)	1	7
3-2394060-2	D	L	1POS.PIN DIA 10.0 HDR ASSY.180DEG	CODE HOUSING FOLLOW 2-2394060-1	L	PA66-GF	AQUA BROWN	(14.0)	1	7
3-2394060-1	D	K	1POS.PIN DIA 10.0 HDR ASSY.180DEG	CODE HOUSING FOLLOW 2-2394060-1	K	PA66-GF	AQUA GREEN	(14.0)	1	7
2-2394060-9	D	J	1POS.PIN DIA 10.0 HDR ASSY.180DEG	CODE HOUSING FOLLOW 2-2394060-1	J	PA66-GF	ORANGE	(14.0)	1	7
2-2394060-8	D	H	1POS.PIN DIA 10.0 HDR ASSY.180DEG	CODE HOUSING FOLLOW 2-2394060-1	H	PA66-GF	YELLOW	(14.0)	1	7
2-2394060-7	D	G	1POS.PIN DIA 10.0 HDR ASSY.180DEG	CODE HOUSING FOLLOW 2-2394060-1	G	PA66-GF	RED	(14.0)	1	7
2-2394060-6	D	F	1POS.PIN DIA 10.0 HDR ASSY.180DEG	CODE HOUSING FOLLOW 2-2394060-1	F	PA66-GF	BROWN	(14.0)	1	7
2-2394060-5	D	E	1POS.PIN DIA 10.0 HDR ASSY.180DEG	CODE HOUSING FOLLOW 2-2394060-1	E	PA66-GF	GREEN	(14.0)	1	7
2-2394060-4	D	D	1POS.PIN DIA 10.0 HDR ASSY.180DEG	CODE HOUSING FOLLOW 2-2394060-1	D	PA66-GF	PURPLE	(14.0)	1	7
2-2394060-3	D	C	1POS.PIN DIA 10.0 HDR ASSY.180DEG	CODE HOUSING FOLLOW 2-2394060-1	C	PA66-GF	BLUE	(14.0)	1	7
2-2394060-2	D	B	1POS.PIN DIA 10.0 HDR ASSY.180DEG	CODE HOUSING FOLLOW 2-2394060-1	B	PA66-GF	NATURE	(14.0)	1	7
2-2394060-1	D	A	1POS.PIN DIA 10.0 HDR ASSY.180DEG	CODE HOUSING	A	PA66-GF	BLACK	1	7	(14.0)
				HVIL WIRE (LEDNI MOCAR 180 E 0.55QMM. WHITE ACCORDING TO LV112) WITH TERMINAL	-	-	-	2	6	
				FACE SEAL	-	SILICONE	RED	1	5	
				BUSBAR, RIGHT SIDE	-	COPPER	AG PLATED	1	4	
				HEADER TPA	-	PA66-GF	RED	1	3	
				FINGER PROTECTION CAP	-	PA66	BLACK	1	2	
HEADER HOUSING 180DEG	-	AL-ALLOY	PASSIVATION	1	1					

THIS DRAWING IS A CONTROLLED DOCUMENT. DATE: 30AUG2021. CHG: L.L. 30AUG2021. APPROV: J.V.VIN 30AUG2021. DIMENSIONS: SEE TABLE. MATERIAL: SEE TABLE. CUSTOMER DRAWING. SCALE: 2:1. SHEET: 2 OF 5. REV: D.

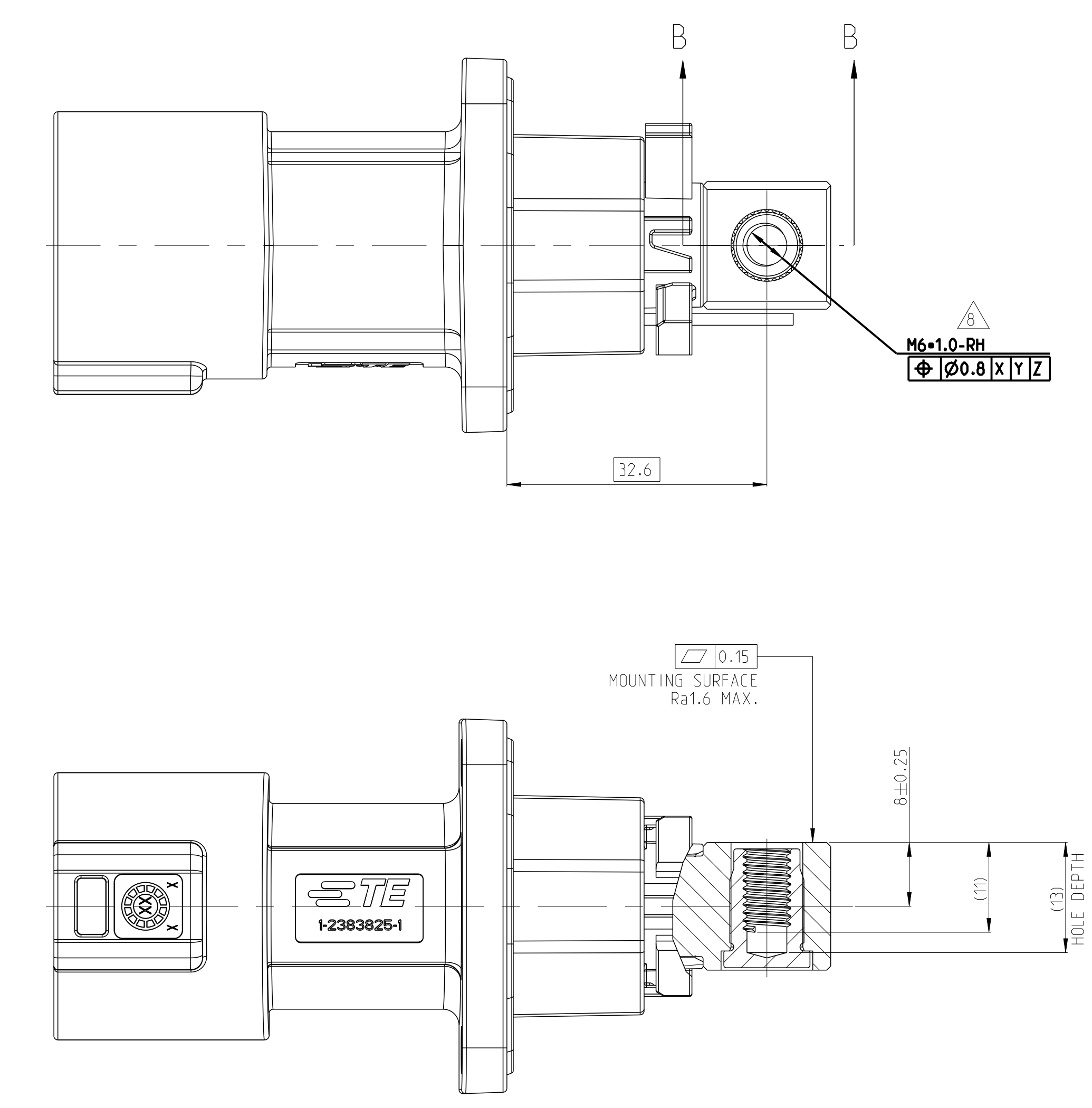
STE TE Connectivity. 1POS.PIN DIA 10.0 HDR ASSY.180DEG HVP-HD1000. PRODUCT SPEC: 108-160341. APPLICATION SPEC: 114-160181. SIZE: A0. CASE CODE: 00779. DRAWING NO: 2394060. WEIGHT: SEE TABLE. RESTRICTED TO: -.

REVISIONS			
REV	DATE	BY	APPD
1			
SEE SHEET 1			



SECTION A-A

1. MISSING DIMENSIONS REFER TO 8-2394060-1



SECTION B-B

1. MISSING DIMENSIONS REFER TO 8-2394060-1

TE-ASSY-NO.	TE REV.	CODE	DESCRIPTION	DESCRIPTION	CODE	MATERIAL	SURFACE COLOR /TREATMENT	WEIGHT (g)	QTY	ITEM
5-2394060-3	D	M	1POS.PIN DIA 10.0 HDR ASSY.180DEG	CODE HOUSING FOLLOW 4-2394060-1	M	PA66-GF	AQUA RED	(140)	1	7
									-	1-6
5-2394060-2	D	L	1POS.PIN DIA 10.0 HDR ASSY.180DEG	CODE HOUSING FOLLOW 4-2394060-1	L	PA66-GF	AQUA BROWN	(140)	1	7
									-	1-6
5-2394060-1	D	K	1POS.PIN DIA 10.0 HDR ASSY.180DEG	CODE HOUSING FOLLOW 4-2394060-1	K	PA66-GF	AQUA GREEN	(140)	1	7
									-	1-6
4-2394060-9	D	J	1POS.PIN DIA 10.0 HDR ASSY.180DEG	CODE HOUSING FOLLOW 4-2394060-1	J	PA66-GF	ORANGE	(140)	1	7
									-	1-6
4-2394060-8	D	H	1POS.PIN DIA 10.0 HDR ASSY.180DEG	CODE HOUSING FOLLOW 4-2394060-1	H	PA66-GF	YELLOW	(140)	1	7
									-	1-6
4-2394060-7	D	G	1POS.PIN DIA 10.0 HDR ASSY.180DEG	CODE HOUSING FOLLOW 4-2394060-1	G	PA66-GF	RED	(140)	1	7
									-	1-6
4-2394060-6	D	F	1POS.PIN DIA 10.0 HDR ASSY.180DEG	CODE HOUSING FOLLOW 4-2394060-1	F	PA66-GF	BROWN	(140)	1	7
									-	1-6
4-2394060-5	D	E	1POS.PIN DIA 10.0 HDR ASSY.180DEG	CODE HOUSING FOLLOW 4-2394060-1	E	PA66-GF	GREEN	(140)	1	7
									-	1-6
4-2394060-4	D	D	1POS.PIN DIA 10.0 HDR ASSY.180DEG	CODE HOUSING FOLLOW 4-2394060-1	D	PA66-GF	PURPLE	(140)	1	7
									-	1-6
4-2394060-3	D	C	1POS.PIN DIA 10.0 HDR ASSY.180DEG	CODE HOUSING FOLLOW 4-2394060-1	C	PA66-GF	BLUE	(140)	1	7
									-	1-6
4-2394060-2	D	B	1POS.PIN DIA 10.0 HDR ASSY.180DEG	CODE HOUSING FOLLOW 4-2394060-1	B	PA66-GF	NATURE	(140)	1	7
									-	1-6
4-2394060-1	D	A	1POS.PIN DIA 10.0 HDR ASSY.180DEG	CODE HOUSING HVIL WIRE (LEONI) MOCAR 180 E 0.550MM. WHITE ACCORDING TO LV112) WITH TERMINAL FACE SEAL BUSBAR, BACK SIDE HEADER TPA FINGER PROTECTION CAP HEADER HOUSING 180DEG	A	PA66-GF	BLACK	(140)	1	7
									2	6
									1	5
									1	4
									1	3
									1	2
									1	1

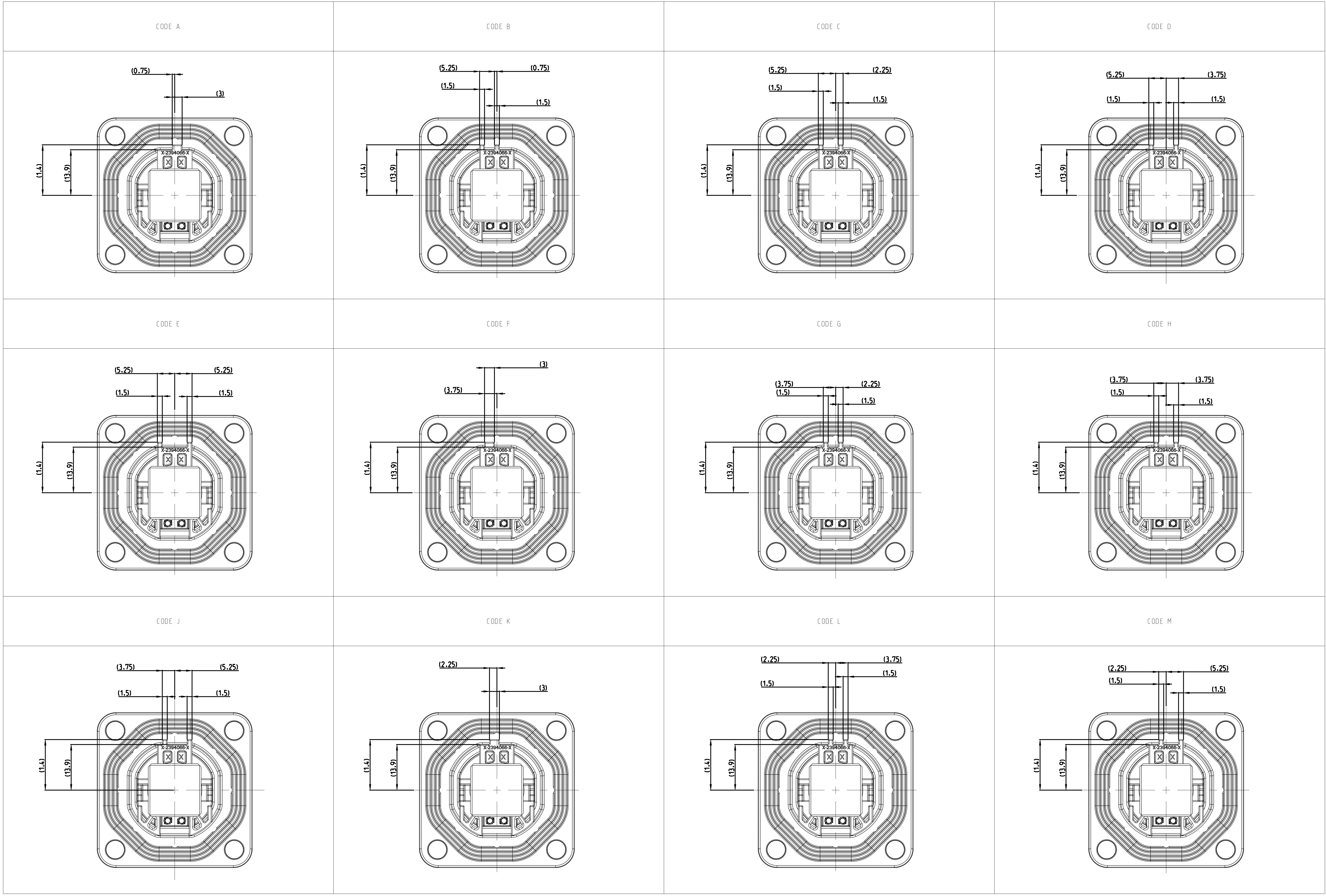
TE-ASSY-NO.	TE REV.	CODE	DESCRIPTION	DESCRIPTION	CODE	MATERIAL	SURFACE COLOR /TREATMENT	WEIGHT (g)	QTY	ITEM
7-2394060-3	D	M	1POS.PIN DIA 10.0 HDR ASSY.180DEG	CODE HOUSING FOLLOW 6-2394060-1	M	PA66-GF	AQUA RED	(140)	1	7
									-	1-6
7-2394060-2	D	L	1POS.PIN DIA 10.0 HDR ASSY.180DEG	CODE HOUSING FOLLOW 6-2394060-1	L	PA66-GF	AQUA BROWN	(140)	1	7
									-	1-6
7-2394060-1	D	K	1POS.PIN DIA 10.0 HDR ASSY.180DEG	CODE HOUSING FOLLOW 6-2394060-1	K	PA66-GF	AQUA GREEN	(140)	1	7
									-	1-6
6-2394060-9	D	J	1POS.PIN DIA 10.0 HDR ASSY.180DEG	CODE HOUSING FOLLOW 6-2394060-1	J	PA66-GF	ORANGE	(140)	1	7
									-	1-6
6-2394060-8	D	H	1POS.PIN DIA 10.0 HDR ASSY.180DEG	CODE HOUSING FOLLOW 6-2394060-1	H	PA66-GF	YELLOW	(140)	1	7
									-	1-6
6-2394060-7	D	G	1POS.PIN DIA 10.0 HDR ASSY.180DEG	CODE HOUSING FOLLOW 6-2394060-1	G	PA66-GF	RED	(140)	1	7
									-	1-6
6-2394060-6	D	F	1POS.PIN DIA 10.0 HDR ASSY.180DEG	CODE HOUSING FOLLOW 6-2394060-1	F	PA66-GF	BROWN	(140)	1	7
									-	1-6
6-2394060-5	D	E	1POS.PIN DIA 10.0 HDR ASSY.180DEG	CODE HOUSING FOLLOW 6-2394060-1	E	PA66-GF	GREEN	(140)	1	7
									-	1-6
6-2394060-4	D	D	1POS.PIN DIA 10.0 HDR ASSY.180DEG	CODE HOUSING FOLLOW 6-2394060-1	D	PA66-GF	PURPLE	(140)	1	7
									-	1-6
6-2394060-3	D	C	1POS.PIN DIA 10.0 HDR ASSY.180DEG	CODE HOUSING FOLLOW 6-2394060-1	C	PA66-GF	BLUE	(140)	1	7
									-	1-6
6-2394060-2	D	B	1POS.PIN DIA 10.0 HDR ASSY.180DEG	CODE HOUSING FOLLOW 6-2394060-1	B	PA66-GF	NATURE	(140)	1	7
									-	1-6
6-2394060-1	D	A	1POS.PIN DIA 10.0 HDR ASSY.180DEG	CODE HOUSING HVIL WIRE (LEONI) MOCAR 180 E 0.550MM. WHITE ACCORDING TO LV112) WITH TERMINAL FACE SEAL BUSBAR, LEFT SIDE HEADER TPA FINGER PROTECTION CAP HEADER HOUSING 180DEG	A	PA66-GF	BLACK	(140)	1	7
									2	6
									1	5
									1	4
									1	3
									1	2
									1	1

THIS DRAWING IS A CONTROLLED DOCUMENT. DATE: 30AUG2021. DRAWN BY: J.L.L. CHECKED BY: J.L.L. APPROVED BY: J.L.L. DIMENSIONS: (mm) ±0.5. TOLERANCES UNLESS OTHERWISE SPECIFIED. PRODUCT SPEC: 108-160341. APPLICATION SPEC: 114-160181. WEIGHT: SEE TABLE. MATERIAL: SEE TABLE. CUSTOMER DRAWING. SCALE: 2:1. SHEET 3 OF 5. REV D.

STE TE Connectivity
1POS.PIN DIA 10.0 HDR ASSY.180DEG
HVP-HD1000

DATE: 30AUG2021. DRAWN BY: J.L.L. CHECKED BY: J.L.L. APPROVED BY: J.L.L. DIMENSIONS: (mm) ±0.5. TOLERANCES UNLESS OTHERWISE SPECIFIED. PRODUCT SPEC: 108-160341. APPLICATION SPEC: 114-160181. WEIGHT: SEE TABLE. MATERIAL: SEE TABLE. CUSTOMER DRAWING. SCALE: 2:1. SHEET 3 OF 5. REV D.

REVISIONS			
REV	DATE	DESCRIPTION	APP'D
1		SEE SHEET 1	



THIS DRAWING IS A CONTROLLED DOCUMENT.

DATE	30AUG2021	REV	1
APP'D	J.L.VIN	DATE	30AUG2021
CHK'D	J.L.VIN	DATE	30AUG2021
DRG	J.L.VIN	DATE	30AUG2021
DESIGNED BY	J.L.VIN	DATE	30AUG2021
CHECKED BY	J.L.VIN	DATE	30AUG2021
APPROVED BY	J.L.VIN	DATE	30AUG2021
DATE	30AUG2021	REV	1

NAME: 1POS.PIN DIA 10.0 HDR ASSY.180DEG HVP-HD1000

SCALE: 2:1

SHEET 6 OF 5

REV 0

RESTRICTED TO: -

DATE: 00779

CASE CODE: 2394060

DRAWING NO: 194-160181

PRODUCT SPEC: 108-160341

APPLICATION SPEC: 114-160181

WEIGHT: SEE TABLE

CUSTOMER DRAWING

TE Connectivity

REVISIONS			
REV	DATE	DESCRIPTION	BY
1		SEE SHEET 1	



TABLE 6

CODE A	CODE B	CODE C	CODE D
CODE E	CODE F	CODE G	CODE H
CODE J	CODE K	CODE L	CODE M

THIS DRAWING IS A CONTROLLED DOCUMENT.

DATE: 30AUG2021	BY: J.LING
DATE: 30AUG2021	CHK: J.L.L.
DATE: 30AUG2021	APPV: J.VIN

TE Connectivity

1POS.PIN DIA 10.0 HDR ASSY.180DEG
HVP-HD1000

108-160341
114-160181

SCALE: 2:1 SHEET 5 OF 5