



Female header with angled solder pins; 4-pole; Pin spacing 3.5 mm / 0.138 in

Item No.: 2091-1324



Female header with angled solder pins; 4-pole; Pin spacing 3.5 mm / 0.138 in

Marking

RoHS ✓
Compliant

Business data

Supplier	WAGO
Item no.	2091-1324
GTIN / EAN	4050821160885
Content	1
Order amount	200
Customer item number	

Notes

Item description: Touch-proof PCB outputs Easy-to-identify PCB inputs and outputs Coding option available Safety information 1: The picoMAX® pluggable connection system is designed without breaking capacity for compliance with DIN EN 61984. When used as intended, MCS Connectors shall not be connected/disconnected when live or under load. The circuit design should ensure header pins, which can be touched, are not live when unmated.

Technical data

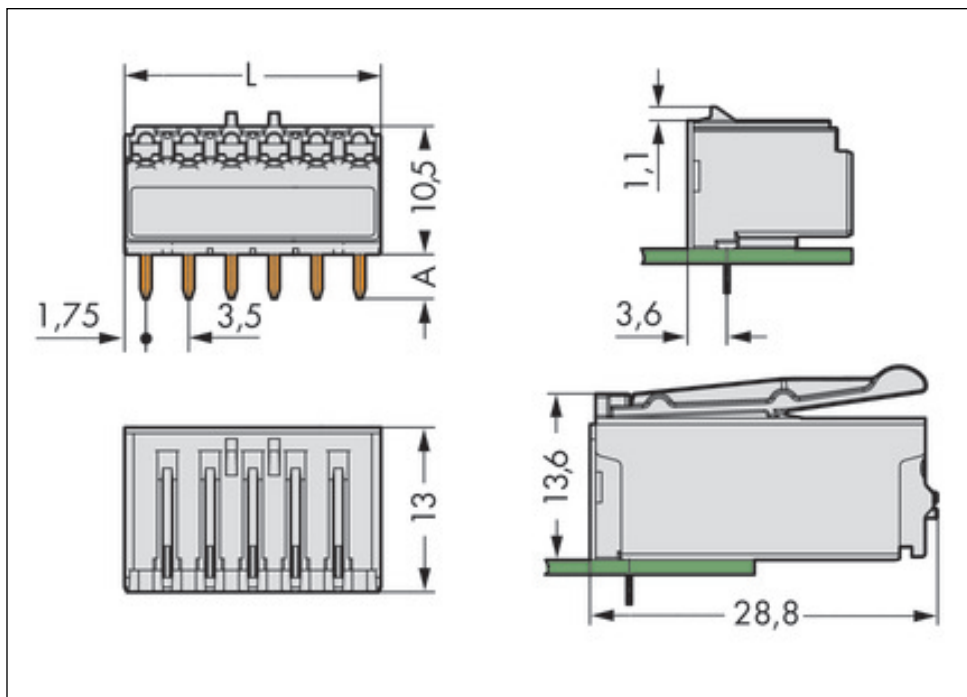
Miscellaneous

Packaging type	BOX
Ratings per	IEC/EN 60664-1

Technical data	
Rated voltage (III / 3) [V]	160 [V]
Rated impulse voltage (III / 3) [kV]	2.5 [kV]
Rated voltage (III/2) [V]	160 [V]
Rated impulse voltage (III / 2) [kV]	2.5 [kV]
Rated voltage (II / 2) [V]	320 [V]
Rated impulse voltage (II / 2) [kV]	2.5 [kV]
Rated current [A]	10 [A]
Legend (ratings)	(III / 2) Overvoltage category III / Pollution degree 2
No. of poles	4
Number of levels	1
Pin spacing	3.5 mm (0.138 in)
Width	14 mm / 0.551 Inch
Height	15.2 mm / 0.598 Inch
Height from the surface	11.6 mm / 0.457 Inch
Depth	13 mm / 0.512 Inch
Solder pin length [mm]	3.6 [mm]
Solder pin dimensions	0.4 x 0.9 mm
Drilled hole diameter (tolerance) [mm]	1.2(+ 0.1) [mm]
Contact type (pluggable connector)	Female connector/socket
Connector connection type	for PCBs
Mismating protection	nein
PCB contact	THR
Color	light gray
Material group	I
Insulating material	Polyphthalamide (PPA GF)
Flammability class per UL94	V0
Contact material	Copper alloy
Contact plating	tin-plated
Fire load [MJ]	0.049 [MJ]
Weight [g]	2.12 [g]
Limit temperature range	-60 ... 100 °C
Pin spacing from [in]	0.138 [in]
Pin spacing from [mm]	3.5 [mm]
Contact type	Female connector/socket; for PCBs

Technical data	
<i>Product Family</i>	<i>picoMAX®</i>
<i>Main product function</i>	<i>Female connector/socket</i>
<i>Product type</i>	<i>Pluggable PCB connectors</i>

Images & drawings



Address

WAGO Kontakttechnik GmbH & Co. KG

Hansastr. 27

32423 Minden

Telefon: 0571/887-0

Fax: 0571/887-169

<http://www.wago.com>

© WAGO Kontakttechnik GmbH & Co. KG

Technische Änderungen und Irrtümer vorbehalten.