



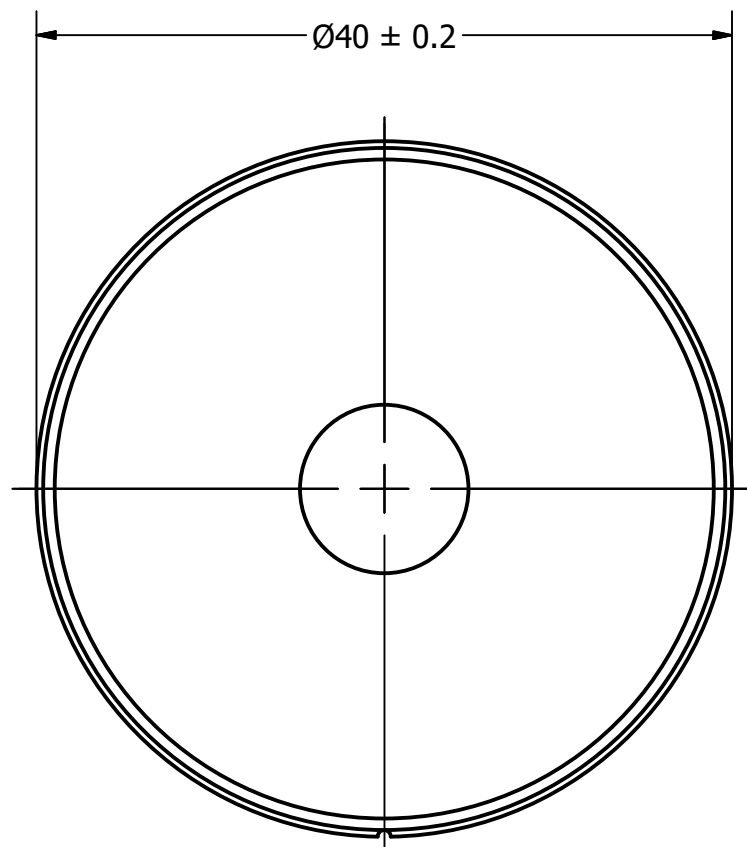
DB UNLIMITED

Part Number:	SM400608-3	
	DRAWN	CJ
Description:	Dynamic Speaker	
	CHECKED	P.D.
	APPROVED	C.E.

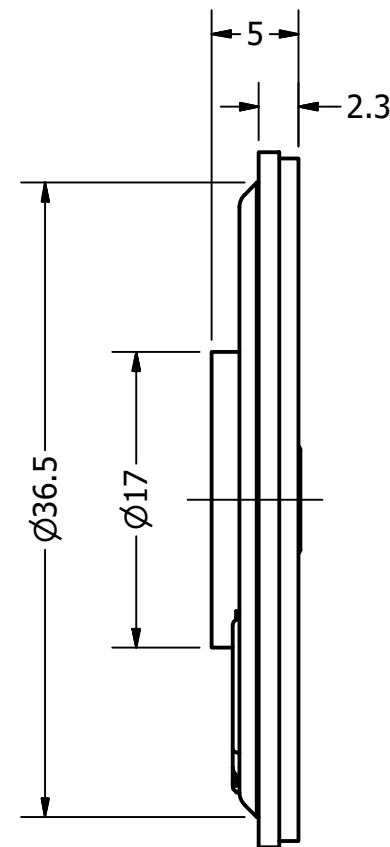
5/2/2017
5/2/2017
5/2/2017

This document contains data proprietary to DB Unlimited. Any use or reproduction, in any form, without prior written permission of DB Unlimited is prohibited. All terms and conditions can be found at www.dbunlimitedco.com

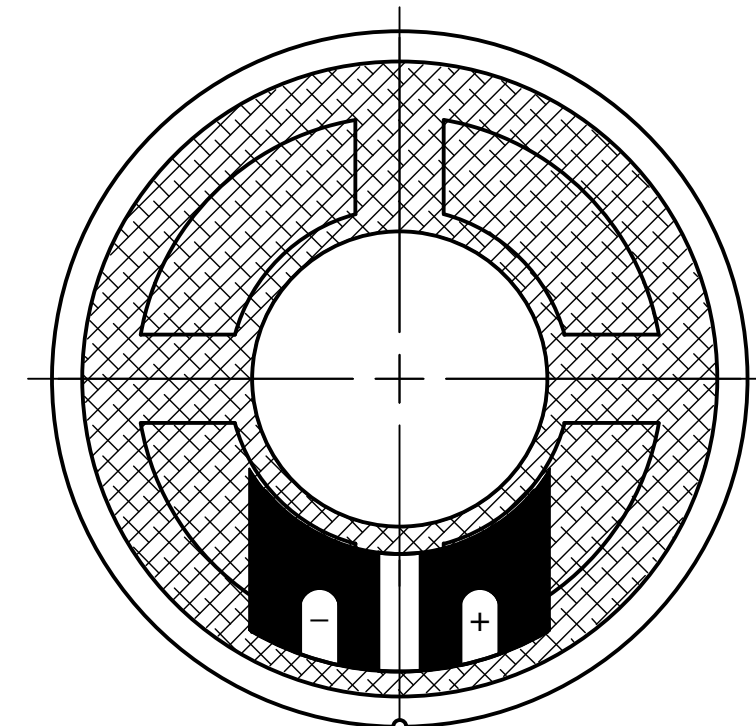
Top View



Side View



Bottom View



Items	Specifications	Conditions
Sound Pressure Level	93	dB (@ 10cm)
Resonant Frequency	630	Hz
Frequency Range	630 ~ 6,000	Hz
Nominal Power	0.5	W
Max. Power	1	W
Impedance	8	Ω
Cone Material	Mylar	
Mount Type	Flush Mount	
Storage Temperature	-25 ~ +55	°C
Operating Temperature	-25 ~ +55	°C
Weight	9.5	g

REVISION HISTORY

REV	DESCRIPTION	DATE	APPROVED
1	Released from Engineering	10/21/2013	J.S.
	Correct nominal and max power, update to new template	5/2/2017	C.E.

NOTES

- 1) All dimensions are in mm unless otherwise noted
- 2) All tolerances are ± 0.5 mm unless otherwise noted
- 3) All parts meet RoHS
- 4) Subject to change or redrawn without notice