

SAC-3P-40,0-680/M8FR FDP - Sensor/actuator cable



1096050

<https://www.phoenixcontact.com/us/products/1096050>

Please be informed that the data shown in this PDF document is generated from our online catalog. Please find the complete data in the user documentation. Our general terms of use for downloads are valid.



Sensor/actuator cable, 3-position, PVC, gray, shielded, free cable end, on Socket angled M8, coding: A, cable length: 40 m, Foil shielding plus drain wire

Commercial data

Item number	1096050
Packing unit	1 pc
Note	Made to order (non-returnable)
Sales key	BF13
Product key	BF1IEE
GTIN	4055626930015
Weight per piece (including packing)	22.22 g
Weight per piece (excluding packing)	22.22 g
Country of origin	US

1096050

<https://www.phoenixcontact.com/us/products/1096050>

Technical data

Product properties

Product type	Sensor/actuator cable
Application	Standard, U.S. cables
Number of positions	3
No. of cable outlets	1
Shielded	yes
Coding	A

Data management status

Article revision	00
------------------	----

Insulation characteristics

Overvoltage category	II
Degree of pollution	3

Material specifications

Flammability rating according to UL 94	HB
Seal material	NBR
Material of grip body	TPU, hardly inflammable, self-extinguishing
Contact material	CuSn
Contact surface material	Ni/Au
Contact carrier material	TPU GF
Material for screw connection	Zinc die-cast, nickel-plated

Electrical properties

Insulation resistance	$\geq 100 \text{ M}\Omega$
Nominal voltage U_N	48 V AC
	60 V DC
Nominal current I_N	4 A

Mechanical properties

Mechanical data

Insertion/withdrawal cycles	≥ 100
-----------------------------	------------

Signaling

Status display	no
Status display present	No

Connection data

Conductor connection

Tightening torque	0.2 Nm (M8 connectors)
-------------------	------------------------

SAC-3P-40,0-680/M8FR FDP - Sensor/actuator cable



1096050

<https://www.phoenixcontact.com/us/products/1096050>

Connector

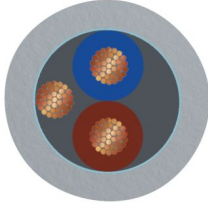
Connection 1

Type	free cable end
------	----------------

Connection 2

Type	Socket angled M8
Number of positions	3
Coding type	A

Cable/line

Cable length	40 m
Dimensional drawing	
Cable weight	22.17 kg/km
UL AWM Style	2517 (105 °C / 300 V)
Number of positions	2
Shielded	yes
AWG signal line	24
Wire diameter incl. insulation	1.12 mm ±0.03 mm
External cable diameter	3.99 mm ±0.2 mm
Outer sheath, material	PVC
External sheath, color	gray
Conductor material	Tin-plated Cu litz wires
Material wire insulation	PVC (Signal line)
Single wire, color	brown, blue
Type of pair shielding	Plastic-coated aluminum foil, aluminum side inside
Overall twist	Conductors, fillers, and drain wire are twisted with left-hand lay
Max. conductor resistance	max. 80.2 Ω/km (20 °C)
Insulation resistance	≥ (550 M Ohms/m @ 500V)
Nominal voltage, cable	300 V
Minimum bending radius, flexible installation	8 x D
Smallest bending radius, movable installation	32 mm
Flame resistance	FT4
Other resistance	UV resistant
Ambient temperature (operation)	-30 °C ... 105 °C (cable, fixed installation)

Environmental and real-life conditions

SAC-3P-40,0-680/M8FR FDP - Sensor/actuator cable



1096050

<https://www.phoenixcontact.com/us/products/1096050>

Ambient conditions

Degree of protection	IP65
	IP67
	IP68
Ambient temperature (operation)	-25 °C ... 90 °C (Plug / socket)
	-40 °C ... 80 °C (cable, fixed installation)
	-5 °C ... 80 °C (Cable, flexible installation)

Standards and regulations

Standard designation	M8 connector
Standards/specifications	IEC 61076-2-104

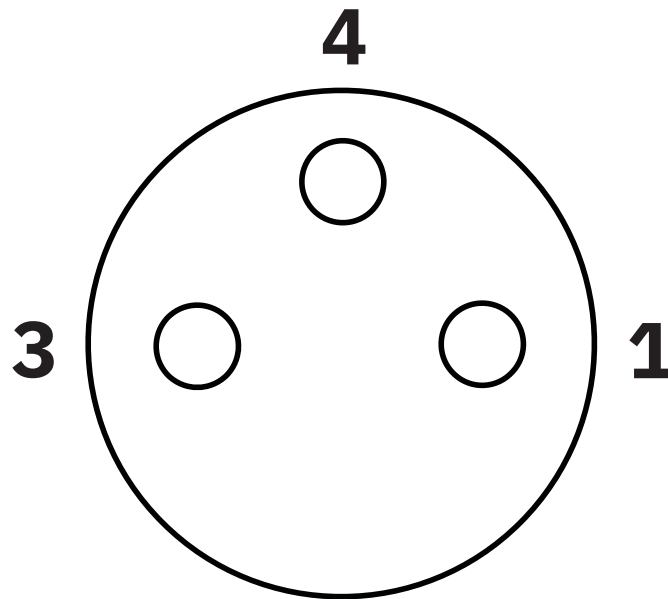
SAC-3P-40,0-680/M8FR FDP - Sensor/actuator cable

1096050

<https://www.phoenixcontact.com/us/products/1096050>

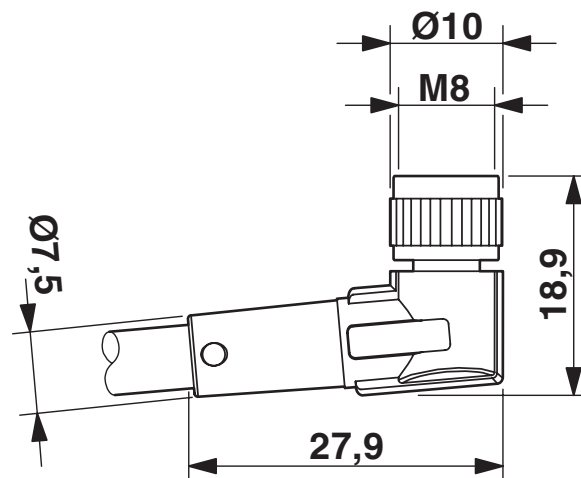
Drawings

Schematic diagram



Pin assignment M8 socket, 3-pos., view female side

Dimensional drawing



Socket M8 x 1, angled

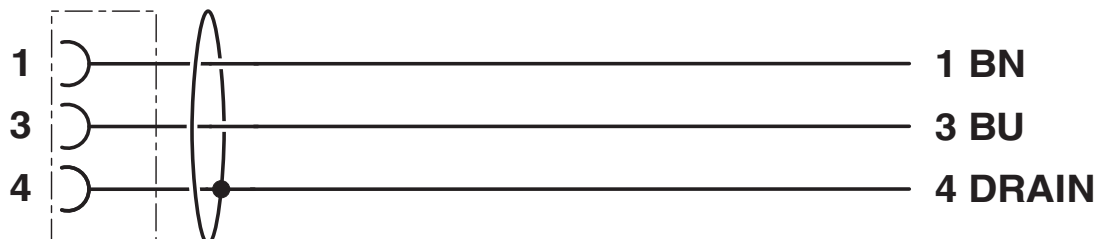
SAC-3P-40,0-680/M8FR FDP - Sensor/actuator cable



1096050

<https://www.phoenixcontact.com/us/products/1096050>

Circuit diagram



SAC-3P-40,0-680/M8FR FDP - Sensor/actuator cable





1096050

<https://www.phoenixcontact.com/us/products/1096050>

Approvals

To download certificates, visit the product detail page: <https://www.phoenixcontact.com/us/products/1096050>

 UL Listed Approval ID: FILE E 221474				
	Nominal voltage U_N	Nominal current I_N	Cross section AWG	Cross section mm^2
	60 V	4 A	-	-

 cUL Listed Approval ID: FILE E 221474				
	Nominal voltage U_N	Nominal current I_N	Cross section AWG	Cross section mm^2
	60 V	4 A	-	-

cULus Listed				
---------------------	--	--	--	--

SAC-3P-40,0-680/M8FR FDP - Sensor/actuator cable



1096050

<https://www.phoenixcontact.com/us/products/1096050>

Classifications

ECLASS

ECLASS-11.0	27060311
ECLASS-12.0	27060311
ECLASS-13.0	27060311

UNSPSC

UNSPSC 21.0	31251501
-------------	----------

1096050

<https://www.phoenixcontact.com/us/products/1096050>

Environmental product compliance

EU RoHS

Fulfills EU RoHS substance requirements	Yes, No exemptions
---	--------------------

China RoHS

Environment friendly use period (EFUP)	EFUP-50
	An article-related China RoHS declaration table can be found in the download area for the respective article under "Manufacturer declaration". For all articles with EFUP-E, no China RoHS declaration table issued and required.

EU REACH SVHC

REACH candidate substance (CAS No.)	No substance above 0.1 wt%
-------------------------------------	----------------------------

SAC-3P-40,0-680/M8FR FDP - Sensor/actuator cable



1096050

<https://www.phoenixcontact.com/us/products/1096050>

Accessories

PROT-M 8 FS-PA-CHAIN - Sealing cap

1430857

<https://www.phoenixcontact.com/us/products/1430857>

M8 sealing cap made of plastic with fixing band for sensor cables, for M8 plugs



PROT-M 8 MS-PA-CHAIN - Screw plug

1430860

<https://www.phoenixcontact.com/us/products/1430860>

M8 sealing cap made of plastic with fixing band for sensor cables, for M8 sockets



SAC-3P-40,0-680/M8FR FDP - Sensor/actuator cable



1096050

<https://www.phoenixcontact.com/us/products/1096050>

TSD 02 SAC - Torque screwdriver

1208487

<https://www.phoenixcontact.com/us/products/1208487>



Torque screwdriver, with preset torque of 0.2 Nm and 4 mm hexagonal drive for M8 connectors

SAC BIT M8-D10 - Tool

1208461

<https://www.phoenixcontact.com/us/products/1208461>



Nut for assembling M8 connectors with longitudinal knurl and a knurl diameter of 10 mm, for 4 mm hexagonal drive

Phoenix Contact 2024 © - all rights reserved
<https://www.phoenixcontact.com>

Phoenix Contact USA
586 Fulling Mill Road
Middletown, PA 17057, United States
(+717) 944-1300
info@phoenixcon.com