




Recruitment
information
site map

注意事項・ヒント/ 製品一部変更届	お問い合わせ	WEBSHOP	カタログ・DXFファイル 請求について	
会社概要・沿革	環境に対する取り組み	新商品	販売中止品	
スクリーレス端子台 Screwless Terminal [ML/SL]	ネジ式端子台 Screw Terminal [ML]	ヒューズホルダー /ヒューズ管 Fuse Holder, Fuse [F]	表示灯 Indicator [DB/BN]	ツマミ Knob [K]
コンセント・コネクタ Connector [CN]	ターミナル /チップジャック Terminal, Chip Jack [T/TJ]	アクセサリ Accessories [SA]	その他 Socket, Clip, Plug, Bushing, Lug [S/C/P/BU/L]	English Site

TJ-560



Information on RoHS
Directive

Solder heat resistance
condition

Body color



specification

Rating	30V-3A
Withstand voltage	AC 500 V (1 minute)
Insulation resistance	DC 500 V, 50 MΩ or more
Main insulating material	High Impact Styrole
Body color	B (black), R (red), BL (blue), Y (yellow), G (green), W (white)
Conforming product	TJ-4 , TJ-563

Notes

[PDF](#) Terminal・tip jack notes

[PDF](#) General remarks

Order number TJ - 560 - [Body color]

Order example TJ - 560 - R (when ordered in red)

Product partial change notice

2010/07/22 [PDF](#) Integration of metal parts (shaft and center pin)

Dimensional drawing

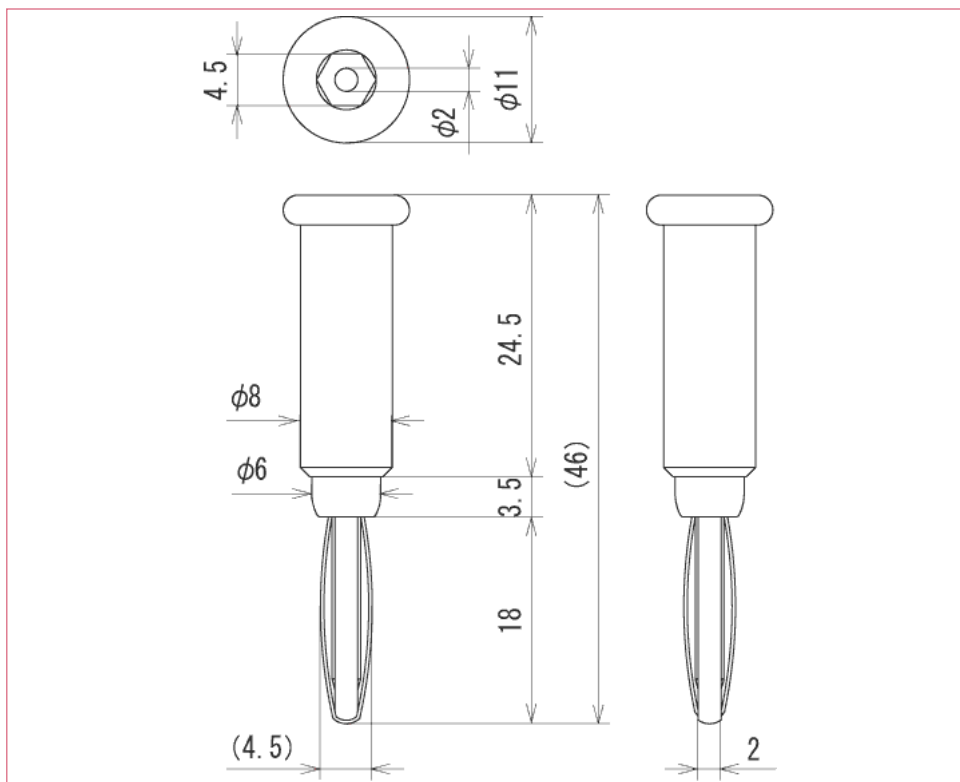


Screw-less terminal Adoption

[Contact Us](#)

[↑ To the top of the](#)

page



Unit: mm

DXF file / Environmentally hazardous substance report download

* Please download the [DXF file usage agreement](#) when downloading DXF file .

※ For environmentally hazardous substances report, [commitment to the environment](#) please visit.

Model number	DXF file	Environmentally hazardous substance report
TJ-560	<input type="button" value="Download"/> [History]	
TJ-560-B		<input type="button" value="Download"/> [History]
TJ-560-BL		<input type="button" value="Download"/> [History]
TJ-560-G		<input type="button" value="Download"/> [History]
TJ-560-R		<input type="button" value="Download"/> [History]
TJ-560-W		<input type="button" value="Download"/> [History]
TJ-560-Y		<input type="button" value="Download"/> [History]

Updated: 2016/07/19

All contents posted on this site are prohibited without permission or diversion.

[site map](#) [About conditions of use of this site](#)

E-Mail: marketing@satoparts.co.jp

Customer consultation desk

0120-70-7215

Copyright (c) 2001-2017 SATO PARTS CO., LTD. All Rights Reserved.



Screw-less terminal Adoption

[Contact Us](#)

[To the top of the](#)

[PAGE](#)