

- 注記**  
NOTES
1. 使用材料  
MATERIAL  
ハウジング  
HOUSING : 46ナイロン, UL94V-0  
:46NYLON  
アクチュエーター  
ACTUATOR : PPS, UL94V-0  
:PPS  
ターミナル  
TERMINAL :リン青銅 (t=0.2)、錫・ピスマスメッキ 1.0~3.0 MICRO METER MIN.  
ニッケル下地 1.0~3.0 MICRO METER MIN.  
:PHOS-BRO,TIN-BISMUTH-PLATE 1.0~3.0 MICRO METER MIN.  
OVER NICKEL 1.0~3.0 MICRO METER MIN.  
金具  
FITTING NAIL :リン青銅 (t=0.2)、錫メッキ 1.0~3.0 MICRO METER MIN.  
ニッケル下地 1.0~3.0 MICRO METER MIN.  
:PHOS-BRO,TIN-PLATE 1.0~3.0 MICRO METER MIN.  
OVER NICKEL 1.0~3.0 MICRO METER MIN.
  2. インボステープ梱包時は、アクチュエーターがロックした状態とする。  
IN THE PACKAGE,ACTUATOR OF PART NO.54132-\*\*\*1 SHOULD BE LOCKED.

3. ソルダーテール半田付け面のズレ量、及び金具半田付け面のズレ量は、基準面 [H] に対し上方向0.1MAX.、下方向0.15MAX.とする。  
MISALIGNMENT OF SOLDER TAILS AND FITTING NAIL FROM [H] UPPER DIRECTION:0.1MAX.,LOWER DIRECTION:0.15MAX.
4. 偶数極に適用  
APPLY FOR EVEN CIRCUIT.
5. パターンはくり止め用金具  
FITTING NAIL FOR PREVENTION OF PEELING OF P.C.B. PATTERN.
6. 本製品は54132-\*\*\*31の鉛フリー品である。  
THIS PRODUCT IS LEAD FREE OF 54132-\*\*\*31

|      |      |       |      |                              |            |           |
|------|------|-------|------|------------------------------|------------|-----------|
| 30.5 | 29.3 | 25.65 | 24.5 | 54132-5097                   | 54132-5039 | 50        |
| 28.0 | 26.8 | 23.15 | 22.0 | -4597                        | -4539      | 45        |
| 27.0 | 25.8 | 22.15 | 21.0 | -4397                        | -4339      | 43        |
| 25.5 | 24.3 | 20.65 | 19.5 | -4097                        | -4039      | 40        |
| 24.5 | 23.3 | 19.65 | 18.5 | -3897                        | -3839      | 38        |
| 23.5 | 22.3 | 18.65 | 17.5 | -3697                        | -3639      | 36        |
| 23.0 | 21.8 | 18.15 | 17.0 | -3597                        | -3539      | 35        |
| 22.5 | 21.3 | 17.65 | 16.5 | -3497                        | -3439      | 34        |
| 22.0 | 20.8 | 17.15 | 16.0 | -3397                        | -3339      | 33        |
| 21.5 | 20.3 | 16.65 | 15.5 | -3297                        | -3239      | 32        |
| 20.5 | 19.3 | 15.65 | 14.5 | 54132-3097                   | 54132-3039 | 30        |
| D    | C    | B     | A    | EMBOSSSED TAPE MATERIAL. NO. |            | CKT.      |
|      |      |       |      | 54132-***39                  |            | MODEL.NO. |

**GENERAL TOLERANCES (UNLESS SPECIFIED)**

|  |       |
|--|-------|
| 10 <sup>UNDER</sup>                    | ±0.2  |
| 10 <sup>OVER</sup> 30 <sup>UNDER</sup> | ±0.25 |
| 30 <sup>OVER</sup>                     | ±0.3  |
| ANGULAR                                | ±3°   |

THIS DRAWING CONTAINS INFORMATION THAT IS PROPRIETARY TO MOLEX ELECTRONIC TECHNOLOGIES, LLC AND SHOULD NOT BE USED WITHOUT WRITTEN PERMISSION

mm NTS

GENERAL TOLERANCES (UNLESS SPECIFIED)

ANGULAR TOL ± °

4 PLACES ±

3 PLACES ±

2 PLACES ±

1 PLACE ±

0 PLACES ±

DRAFT WHERE APPLICABLE MUST REMAIN WITHIN DIMENSIONS

THIRD ANGLE PROJECTION

DRAWING A3-SIZE

SERIES 54132

EC NO: 758488  
DRWN: RAJMOK  
CHK'D: HSHIMUYAMA  
APPR: YNAITO

2023/07/26  
2023/08/03  
2023/08/03

INITIAL REVISION:  
DRWN: MNABEI  
APPR: MSASAO

2003/12/16  
2003/12/17

**molex**

0.5 FPC CONN ZIF HOUSING ASSY FOR SMT -LEAD FREE-

PRODUCT CUSTOMER DRAWING

DOCUMENT NUMBER SD-54132-060

DOC TYPE PSD

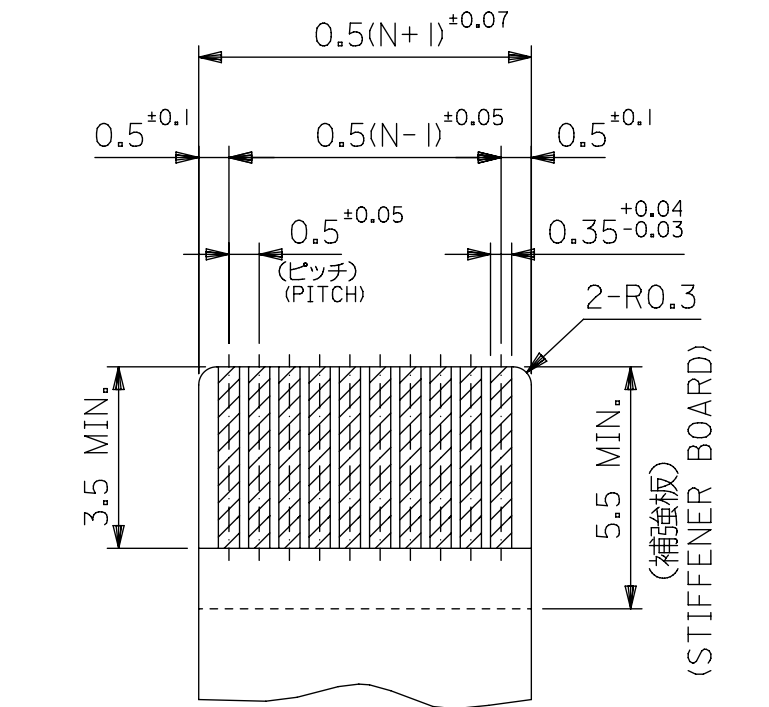
DOC PART 001

REVISION D

MATERIAL NUMBER SEE TABLE

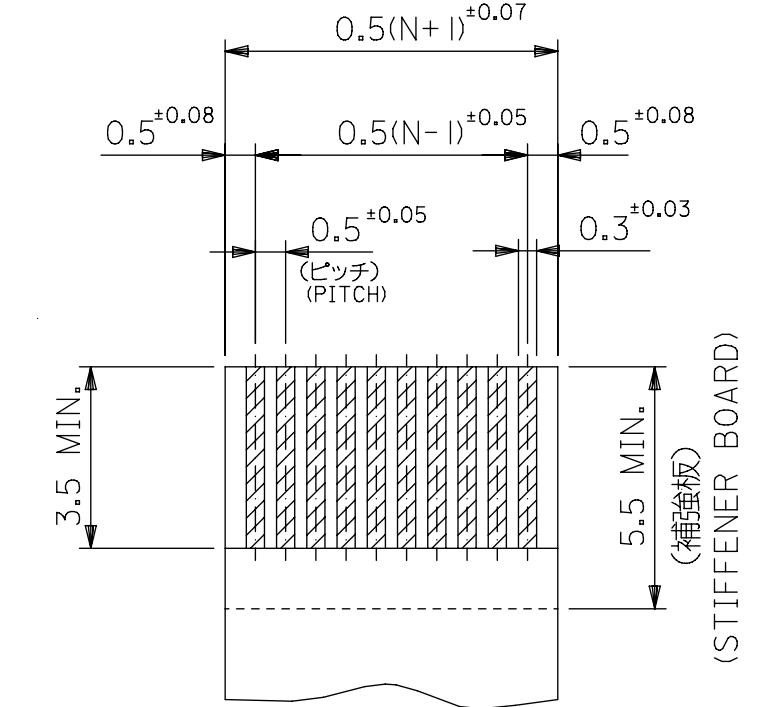
CUSTOMER GENERAL MARKET

SHEET NUMBER 1 OF 2



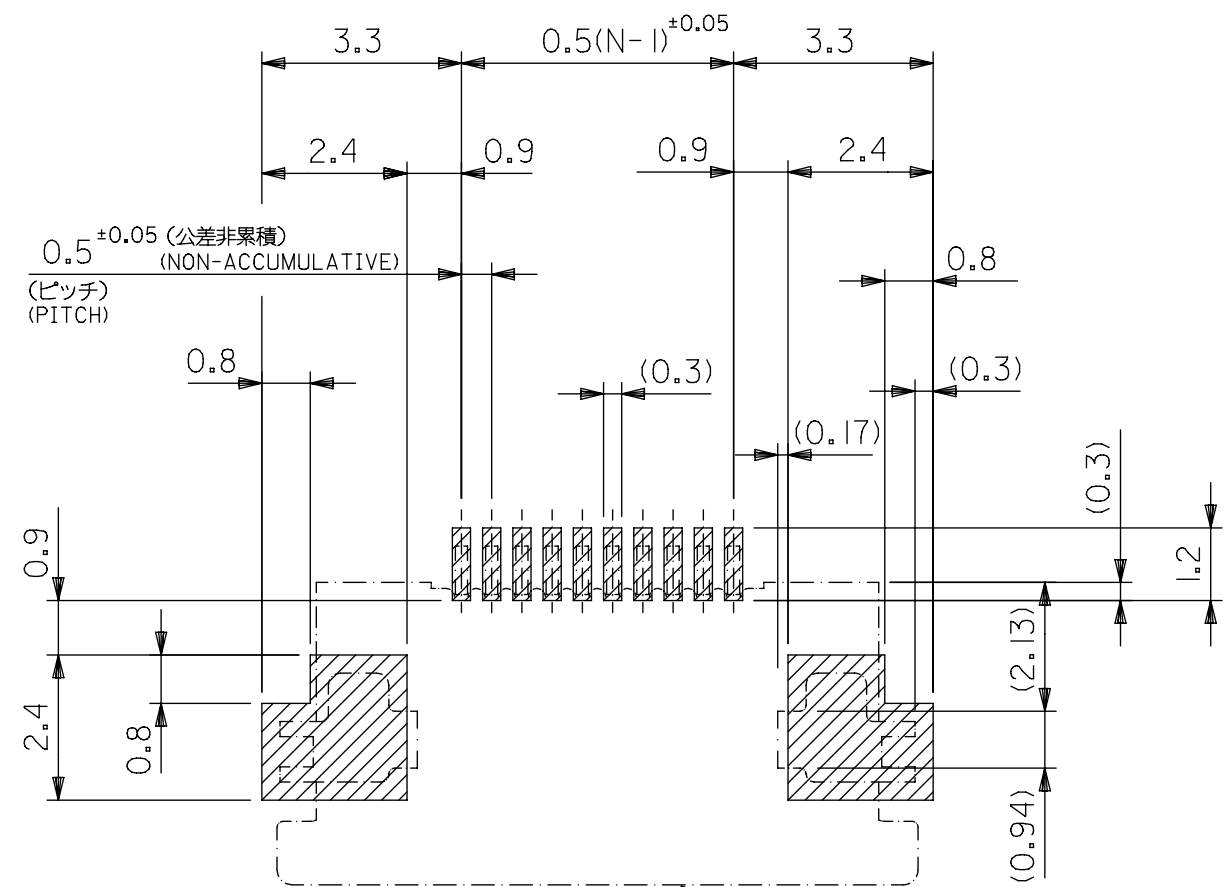
適合FPC推奨寸法  
APPLICABLE FPC RECOMMENDED DIMENSION

(仕上がり厚さ:  $0.3 \pm 0.03$ )  
(THICKNESS:  $0.3 \pm 0.03$ )



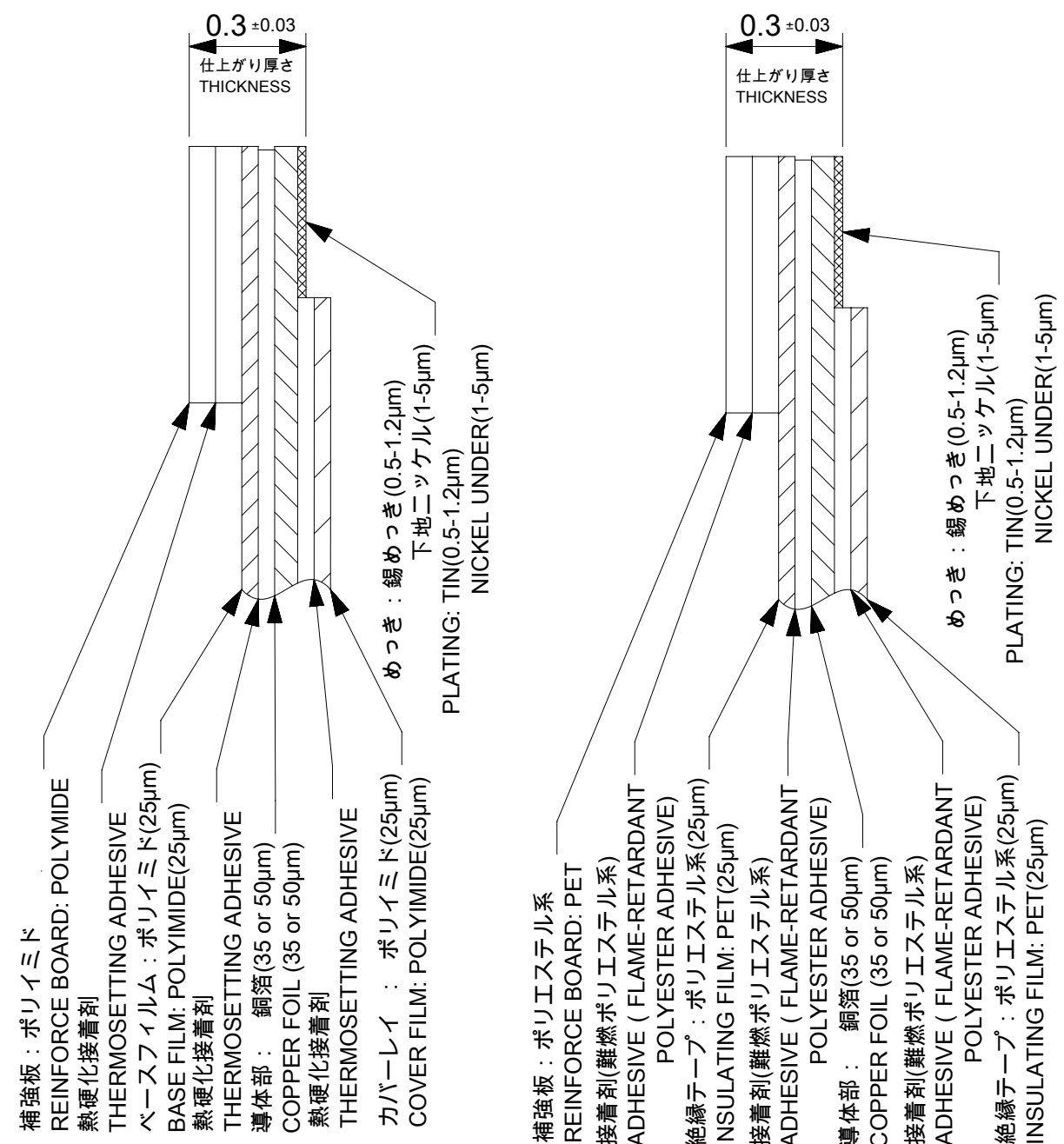
適合FFC推奨寸法  
APPLICABLE FFC RECOMMENDED DIMENSION

(仕上がり厚さ:  $0.3 \pm 0.03$ )  
(THICKNESS:  $0.3 \pm 0.03$ )



コネクタ位置  
CONNECTOR POSITION

参考基板レイアウト  
RECOMMENDED PCB BOARD PATTERN DIMENSION (REF.)  
(マウント面)  
(MOUNTING SIDE)

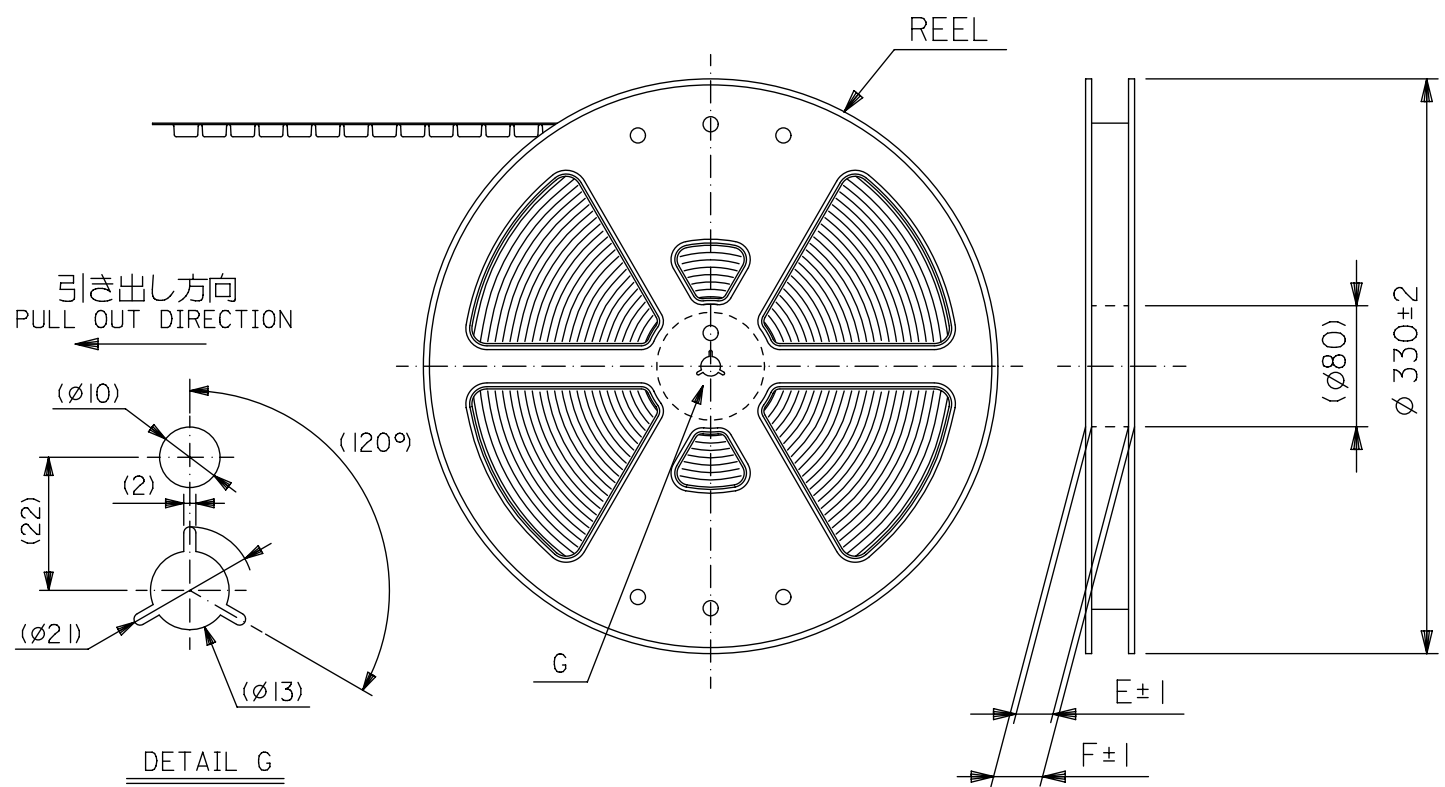


FPC構成推奨仕様  
RECOMMENDED STRUCTURE OF FPC

FFC構成推奨仕様  
RECOMMENDED STRUCTURE OF FFC

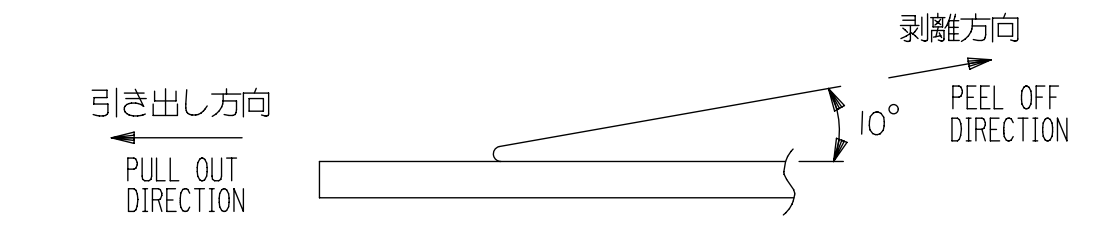
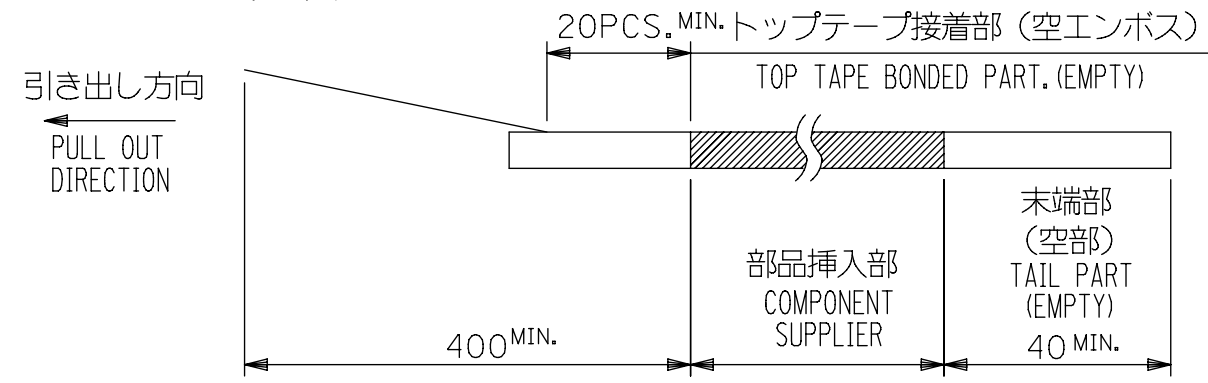
FPC/FFCについて  
打抜き方向は導体側から補強板側を推奨いたします。  
導体部については軟銅箔35マイクロメートルまたは50マイクロメートル  
RECOMMENDED PUNCHER DIRECTION:  
FROM CONDUCTOR SIDE TO STIFFENER BOARD SIDE.  
RECOMMENDED CONDUCTOR SPEC.:  
THICKNESS OF SOFT COPPER FOIL:  
35 micrometer or 50 micrometer

|   |       |                   |  |                          |  |                 |  |
|---|-------|-------------------|--|--------------------------|--|-----------------|--|
| THIS DRAWING CONTAINS INFORMATION THAT IS PROPRIETARY TO MOLEX ELECTRONIC TECHNOLOGIES, LLC AND SHOULD NOT BE USED WITHOUT WRITTEN PERMISSION |       | CURRENT REV DESC: |  | <b>molex</b>             |  |                 |  |
| DIMENSION UNITS   | SCALE |                   |  |                          |  |                 |  |
| mm  | NTS   |                   |  | PRODUCT CUSTOMER DRAWING |  |                 |  |
| GENERAL TOLERANCES (UNLESS SPECIFIED)   |       |                   |  | DOCUMENT NUMBER          |  |                 |  |
| ANGULAR TOL ± °   |       |                   |  | DOC TYPE                 |  |                 |  |
| 4 PLACES ±  |       |                   |  | DOC PART                 |  |                 |  |
| 3 PLACES ±  |       |                   |  | REVISION                 |  |                 |  |
| 2 PLACES ±  |       |                   |  | SD-54132-060             |  |                 |  |
| 1 PLACE ±   |       |                   |  | PSD                      |  |                 |  |
| 0 PLACES ±  |       |                   |  | 001                      |  |                 |  |
| DRAFT WHERE APPLICABLE MUST REMAIN WITHIN DIMENSIONS  |       |                   |  | D                        |  |                 |  |
| THIRD ANGLE PROJECTION  |       | DRAWING           |  | SERIES                   |  | MATERIAL NUMBER |  |
| A3-SIZE   |       | 54132             |  | SEE SHEET-1              |  | GENERAL MARKET  |  |
| SHEET NUMBER  |       | 2 OF 2            |  |                          |  |                 |  |



NOTES

- 梱包数量：1500個/リール  
NUMBER OF CONNECTORS : 1500PCS/REEL
- リードテープ長さ LEAD TAPE LENGTH  
20PCS. MIN. トップテープ接着部 (空エンボス)  
TOP TAPE BONDED PART. (EMPTY)  
部品挿入部  
COMPONENT SUPPLIER  
末端部 (空部)  
TAIL PART (EMPTY)  
40 MIN.
- トップテープの剥離強度： 0.1N ~ 1.3N (10gf ~ 130gf)  
(剥離方向は下図参照)  
尚、本規格値は出荷時に適用。(但し、輸送時に剥離が発生しないこと。)  
PEELING OFF FORCE OF TOP TAPE : 0.1N ~ 1.3N (10gf ~ 130gf).  
(PEELING DIRECTION AS SHOWN IN FOLLOWING FIG.)  
THIS REQUIREMENT SHOULD BE APPLIED AT SHIPMENT.  
PEEL OFF SHOULD NOT BE ALLOWED , DURING TRANSPORTATION.



- 材料  
キャリアテープ：ポリプロピレン (PP)  
トップテープ：PET, PE, PEF  
リール：ポリスチレン (PS) <リサイクル材を含む>

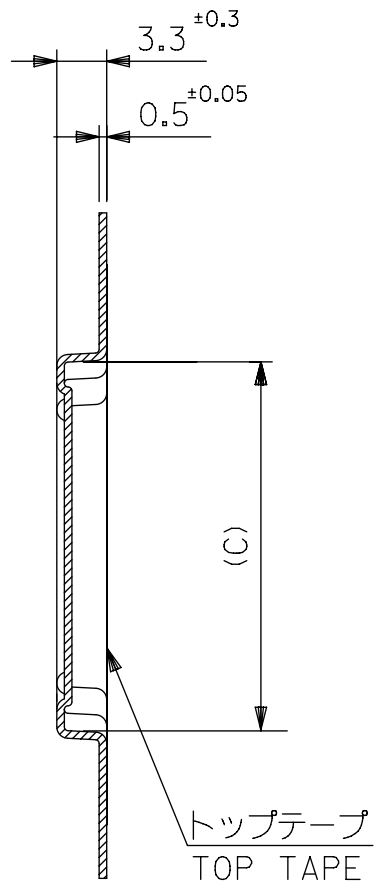
MATERIAL CARRIER TAPE: POLYPROPYLENE  
TOP TAPE: PET, PE, PEF  
REEL: POLYSTYREN (PS)  
<RECYCLE MATERIAL CONTAINED>

- 本製品は54132-\*\*-92の鉛フリー品である。  
THIS PRODUCT IS LEAD FREE OF 54132-\*\*-92

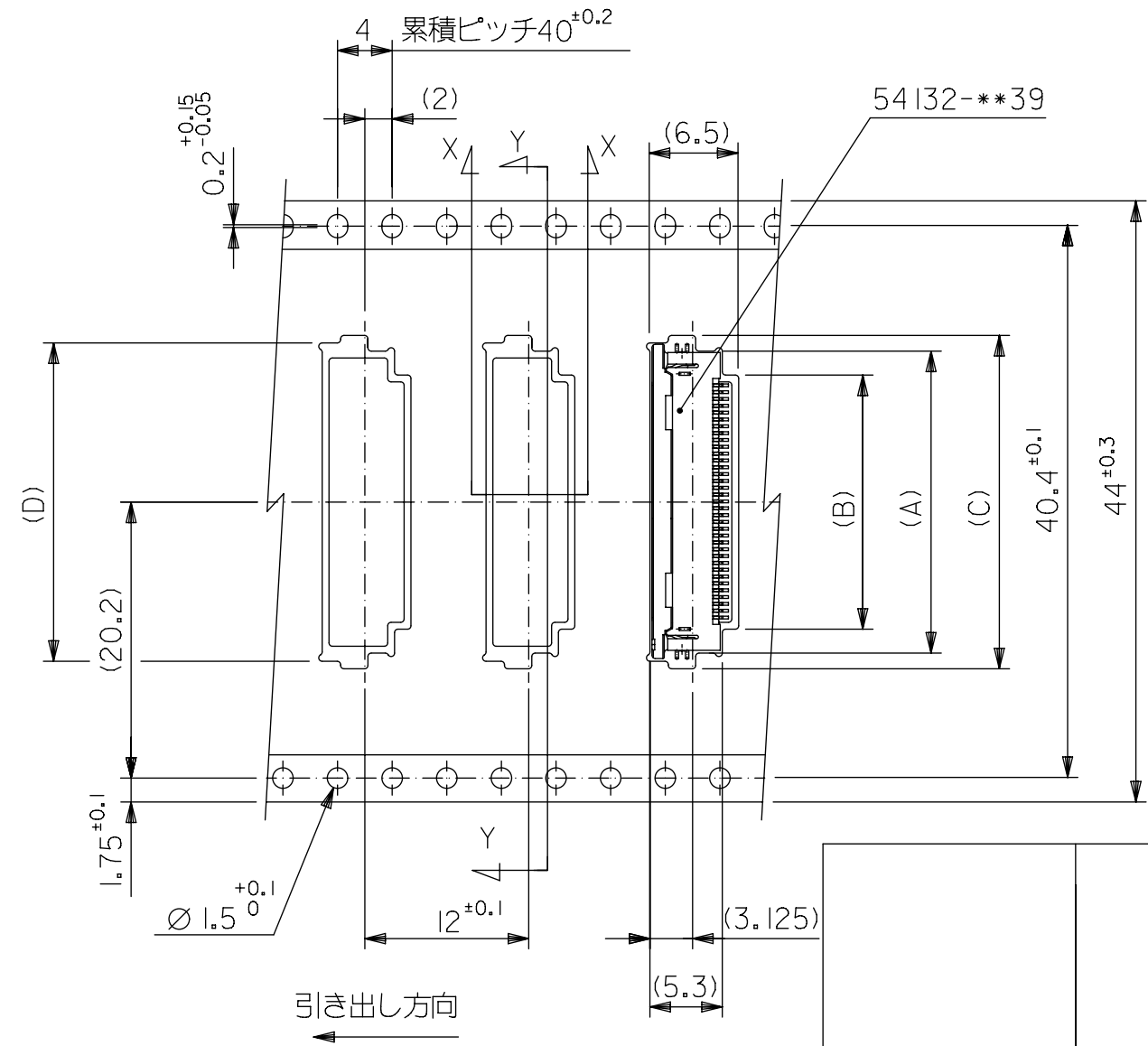
54132-\*\*-97 MODEL NO.

|   |       |                             |         |  |              |
|---|-------|-----------------------------|---------|--|--------------|
| THIS DRAWING CONTAINS INFORMATION THAT IS PROPRIETARY TO MOLEX ELECTRONIC TECHNOLOGIES, LLC AND SHOULD NOT BE USED WITHOUT WRITTEN PERMISSION |       | CURRENT REV DESC:           |         | <b>molex</b>   |              |
| DIMENSION UNITS   | SCALE |                             |         |  |              |
| mm  | NTS   |                             |         | EMBOSSED TAPE PACKAGE FOR 0.5 FPC CONN.ZIF -LEAD FREE- |              |
| GENERAL TOLERANCES (UNLESS SPECIFIED)   |       | EC NO: 719890               |         | PRODUCT CUSTOMER DRAWING                               |              |
| ANGULAR TOL ± °   |       | DRWN: NARENC 2022/08/22     |         | DOCUMENT NUMBER  |              |
| 4 PLACES ±  |       | CHK'D: SMARUYAMA 2022/09/05 |         | SD-54132-061   |              |
| 3 PLACES ±  |       | APPR: YNAITO 2022/09/05     |         | DOC TYPE   |              |
| 2 PLACES ±  |       | INITIAL REVISION:           |         | DOC PART   |              |
| 1 PLACE ±   |       | DRWN: MNABEI 2003/12/16     |         | 001  |              |
| 0 PLACES ±  |       | APPR: MSASAO 2003/12/17     |         | REVISION   |              |
| DRAFT WHERE APPLICABLE MUST REMAIN WITHIN DIMENSIONS  |       | THIRD ANGLE PROJECTION      | DRAWING | SERIES   | SHEET NUMBER |
|   |       |                             | A3-SIZE | 54132  | 1 OF 2       |

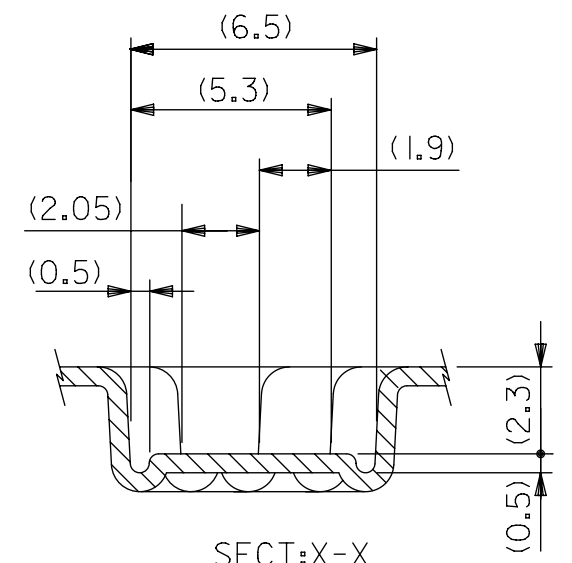
| GENERAL TOLERANCES (UNLESS SPECIFIED)  |       |
|--|-------|
| 10 <sup>UNDER</sup>                    | ±0.2  |
| 10 <sup>OVER</sup> 30 <sup>UNDER</sup> | ±0.25 |
| 30 <sup>OVER</sup>                     | ±0.3  |
| ANGULAR                                | ±3°   |



SECT:Y-Y



引き出し方向



SECT:X-X  
(SCALE:5-1)

|                                |      |      |      |            |      |      |            |    |          |      |
|--------------------------------|------|------|------|------------|------|------|------------|----|----------|------|
| 44                             | 49.4 | 45.4 | 30.8 | 31.6       | 26.1 | 29.6 | 54132-5097 | 50 |          |      |
|                                |      |      | 28.3 | 29.4       | 23.6 | 27.1 | -4597      | 45 |          |      |
|                                |      |      | 27.3 | 28.4       | 22.6 | 26.1 | -4397      | 43 |          |      |
|                                |      |      | 25.8 | 26.9       | 21.1 | 24.6 | -4097      | 40 |          |      |
|                                |      |      | 24.8 | 25.9       | 20.1 | 23.6 | -3897      | 38 |          |      |
|                                |      |      | 23.8 | 24.9       | 19.1 | 22.6 | -3697      | 36 |          |      |
|                                |      |      | 23.3 | 24.4       | 18.6 | 22.1 | -3597      | 35 |          |      |
|                                |      |      | 22.8 | 23.9       | 18.1 | 21.6 | -3497      | 34 |          |      |
|                                |      |      | 22.3 | 23.4       | 17.6 | 21.1 | -3397      | 33 |          |      |
|                                |      |      | 21.8 | 22.9       | 17.1 | 20.6 | -3297      | 32 |          |      |
| 20.8                           | 21.9 | 16.1 | 19.6 | 54132-3097 | 30   |      |            |    |          |      |
| キャリアテープ幅<br>CARRIER TAPE WIDTH |      |      | F    | E          | D    | C    | B          | A  | ENG. NO. | CKT. |

54132-\*\*\*97 MODEL.NO.

THIS DRAWING CONTAINS INFORMATION THAT IS PROPRIETARY TO MOLEX ELECTRONIC TECHNOLOGIES, LLC AND SHOULD NOT BE USED WITHOUT WRITTEN PERMISSION

|  |       |                   |  |         |        |                 |                |              |
|--|-------|-------------------|--|---------|--------|-----------------|----------------|--------------|
| DIMENSION UNITS                                      | SCALE | CURRENT REV DESC: | <b>molex</b>   |         |        |                 |                |              |
| mm   | NTS   |                   |  |         |        |                 |                |              |
| GENERAL TOLERANCES (UNLESS SPECIFIED)                |       |                   | EMBOSSED TAPE PACKAGE FOR 0.5 FPC CONN.ZIF -LEAD FREE- |         |        |                 |                |              |
| ANGULAR TOL ± °                                      |       |                   | PRODUCT CUSTOMER DRAWING                               |         |        |                 |                |              |
| 4 PLACES ±   |       |                   | DOCUMENT NUMBER  |         |        |                 |                |              |
| 3 PLACES ±   |       |                   | SD-54132-061   |         |        |                 |                |              |
| 2 PLACES ±   |       |                   | DOC TYPE DOC PART REVISION                             |         |        |                 |                |              |
| 1 PLACE ±  |       |                   | PSD 001 B  |         |        |                 |                |              |
| 0 PLACES ±   |       |                   | SHEET NUMBER   |         |        |                 |                |              |
| DRAFT WHERE APPLICABLE MUST REMAIN WITHIN DIMENSIONS |       |                   | THIRD ANGLE PROJECTION                                 | DRAWING | SERIES | MATERIAL NUMBER | CUSTOMER       | SHEET NUMBER |
|  |       |                   | ⊕  | A3-SIZE | 54132  | SEE TABLE       | GENERAL MARKET | 2 OF 2       |

GENERAL TOLERANCES (UNLESS SPECIFIED)

|  |       |
|--|-------|
| 10 <sup>UNDER</sup>                    | ±0.2  |
| 10 <sup>OVER</sup> 30 <sup>UNDER</sup> | ±0.25 |
| 30 <sup>OVER</sup>                     | ±0.3  |
| ANGULAR                                | ±3 °  |