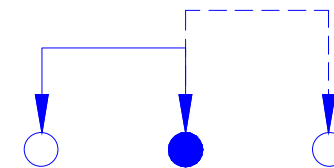
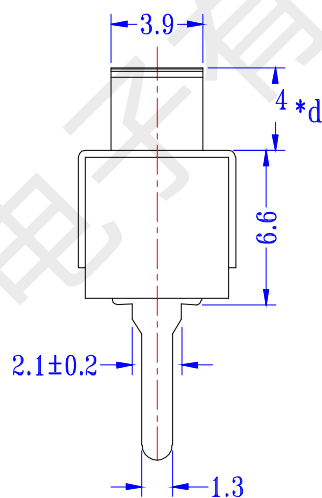
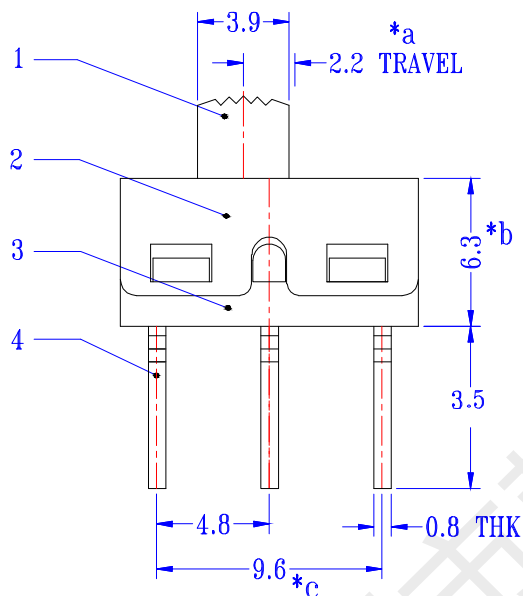
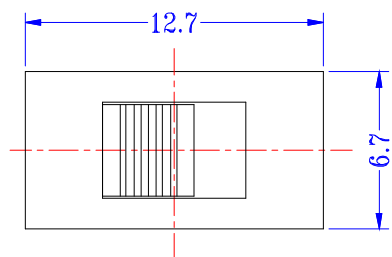
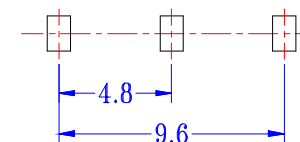


CAD FILE:



SCHMATIC(NON-SHORTING)



P.C.B LAYOUT  
BOTTOM VIEW

所有标注尺寸公差为:  $\pm 0.2\text{mm}$

NO.	PARTS	MATERIALS	Q'TY	FINISH	TOLERANCE UNLESS SPECIFIED	ISSUE	DATE	DESCRIPTIONS OF REVISION	APPD.
8									
7	PRESS BAR	NYLON+F.G+94V0(PA9T)	1	BLACK					
6	SPRING	STEEL WIRE	1	NATURAL	WITHIN : $\pm 0.2\text{mm}$	A			
	CONTACT	COPPER STRIP	1	Ag PLATED	OVER : $\pm 0.2\text{mm}$				
4	TERMINAL	COPPER STRIP	3	Ag PLATED OVER Ni PLATED					
3	CASE	NYLON+F.G+94V0(PA9T)	1	BLACK					
2	COVER	SUS	1	NATURAL					
1	KNOB	NYLON+F.G+94V0(PA9T)	1	BLACK					
					TITLE : VERTICAL SLIDE SWITCH	UNIT : mm		DRWG NO.: HR-DR-SS12D10-00	
					MODEL: HX SS12D10G4	SCALE: 3 : 1		DWN.	黄彬 2020. 6. 24
					深圳市韩下电子有限公司		CHK'D	张伟 2020. 6. 24	
							APPD.	罗小春 2020. 6. 24	