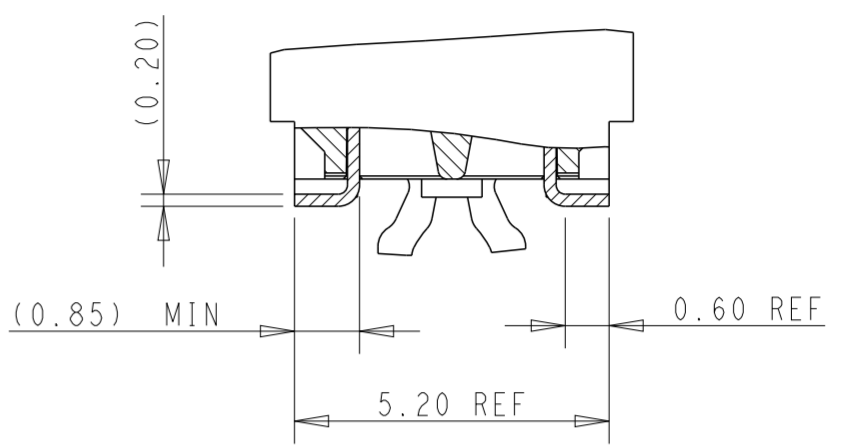
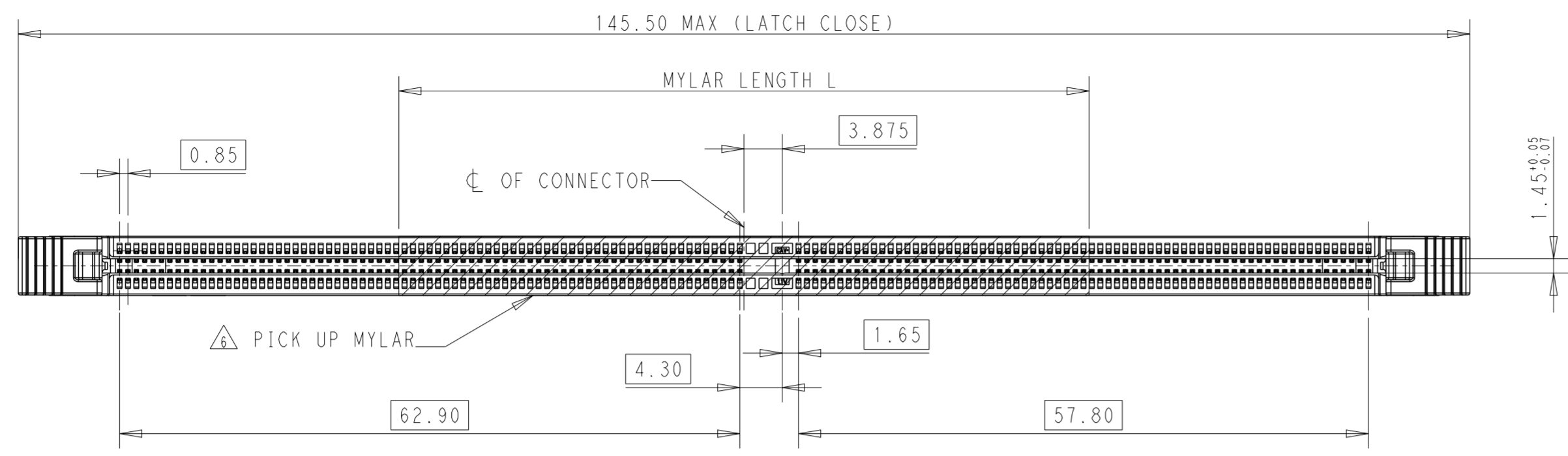
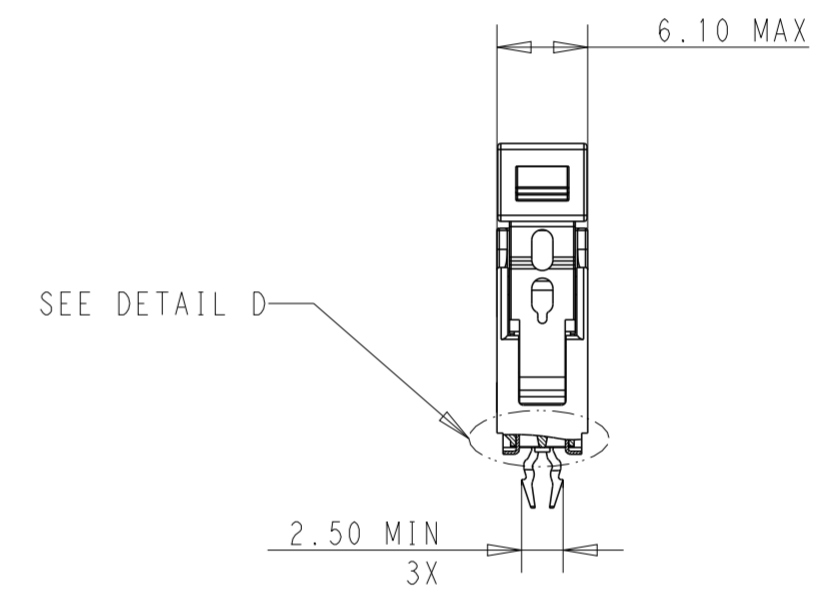
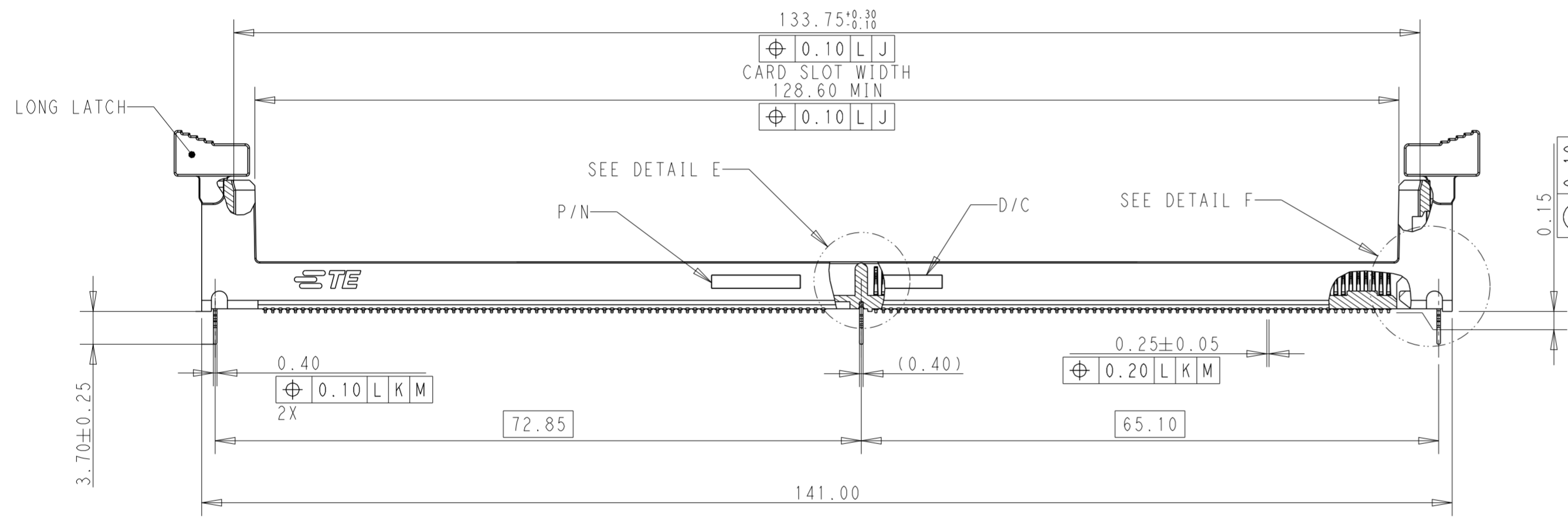


THIS DRAWING IS UNPUBLISHED. RELEASED FOR PUBLICATION 20
 © COPYRIGHT 2022 TE Connectivity. All Rights Reserved. ALL RIGHTS RESERVED.

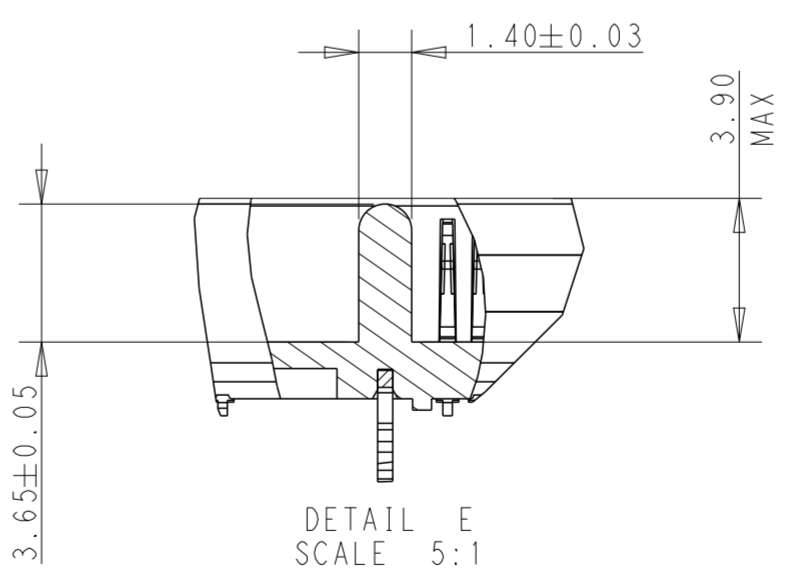
REVISIONS				
P	LTR	DESCRIPTION	DATE	APVD
24		CORRECT BL WIDTH DIM	20JUN2022	SS -
A		RELEASE TO PRODUCTION	23AUG2022	SS -
A1		ECR-22-150324	24AUG2022	SS -
A2		ECR-23-187147	15SEP2023	AD HL



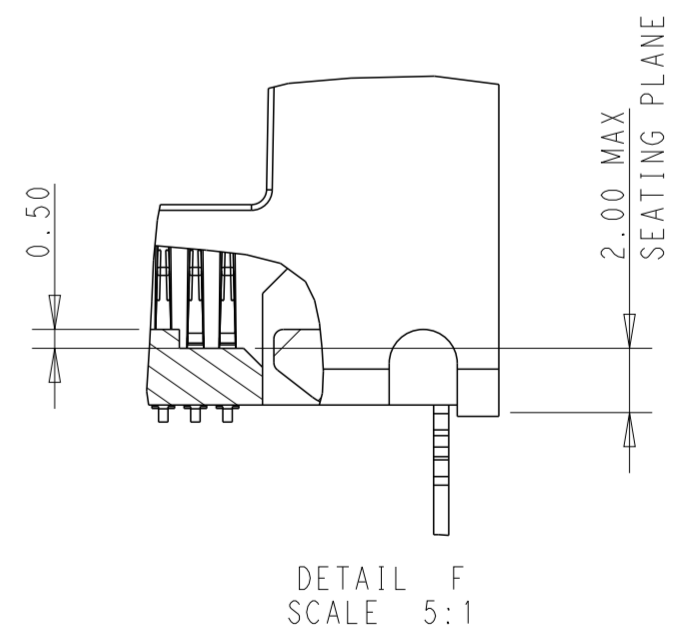
DETAIL D
SCALE 8:1



- MATERIALS:
 HOUSING: HIGHT TEMPERATURE NYLON, UL 94-V0,HF;
 LATCHES: HIGHT TEMPERATURE NYLON, UL 94-V0,HF;
 CONTACTS: COPPER ALLOY;
 HOLD DOWN: STAINLESS STEEL.
 - INTERFACE FINISH:
 (1) 0.00076 (30u") MIN THICK GOLD OVER 0.00127 (50u") MIN THICK NICKEL.
 (2) 0.00038 (15u") MIN THICK GOLD OVER 0.00127 (50u") MIN THICK NICKEL.
 - SOLDERTAIL FINISH:
 0.00300 (120u") MIN THICK MATTE TIN OVER 0.00127 (50u") MIN THICK NICKEL.
 - HOLD DOWN FINISH:
 TAB: 0.00300 (120u") MIN THICK MATTE TIN OVER 0.00127 (50u") MIN THICK NICKEL.
 - KEEP OUT AREA RESERVED FOR SOCKET LATCHES AT BOTH ENDS.
- ⚠ MYLAR WITH SIZE L X 6 IS LOCATED IN THE CENTER OF CONNECTOR.



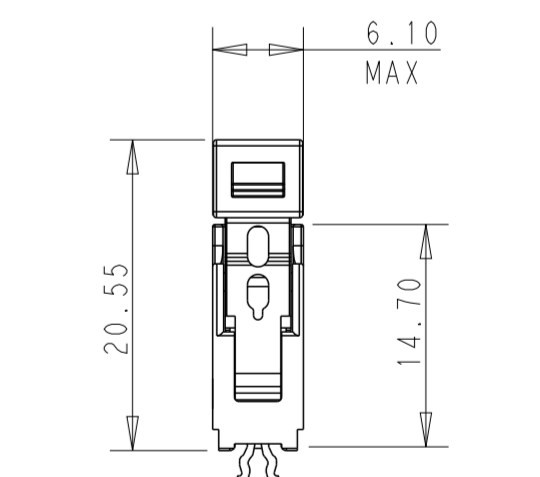
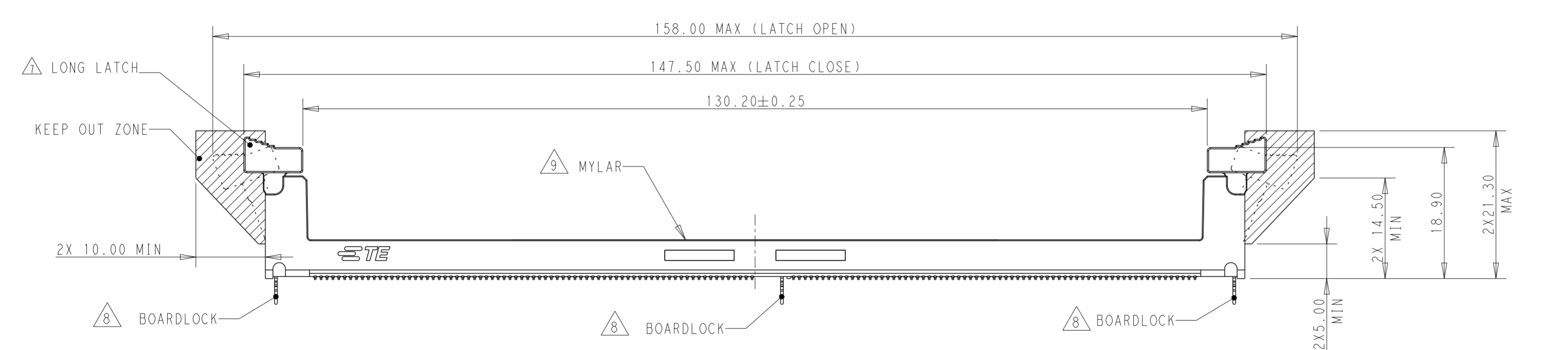
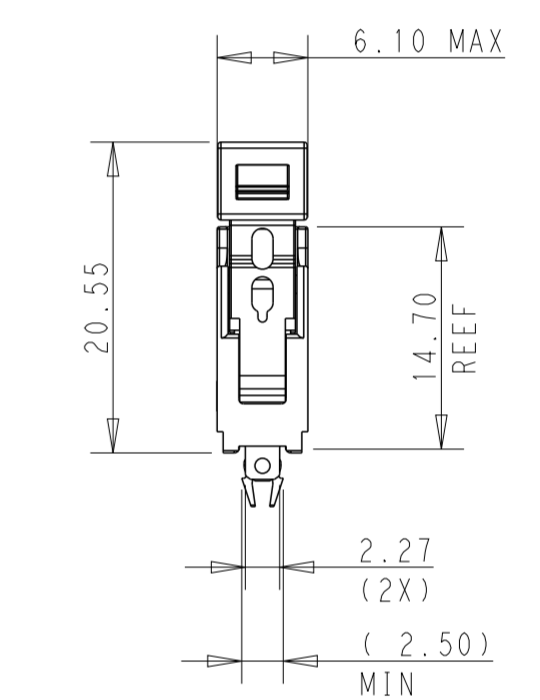
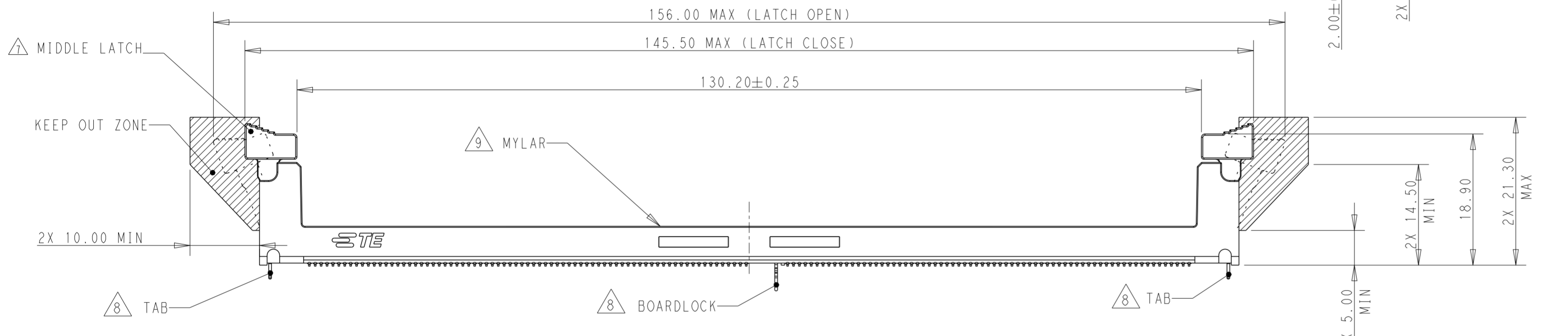
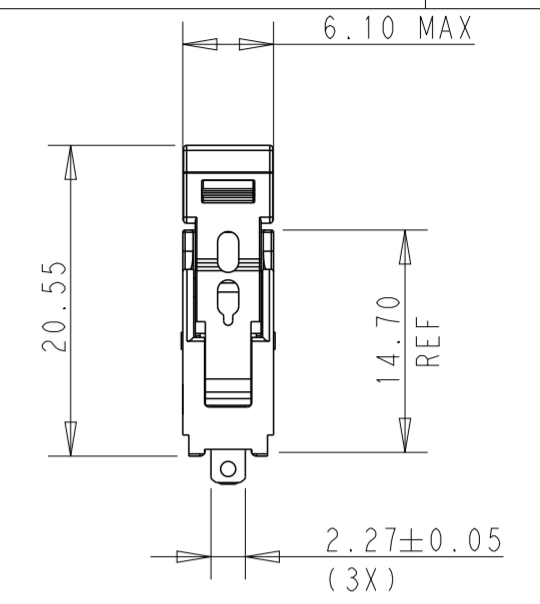
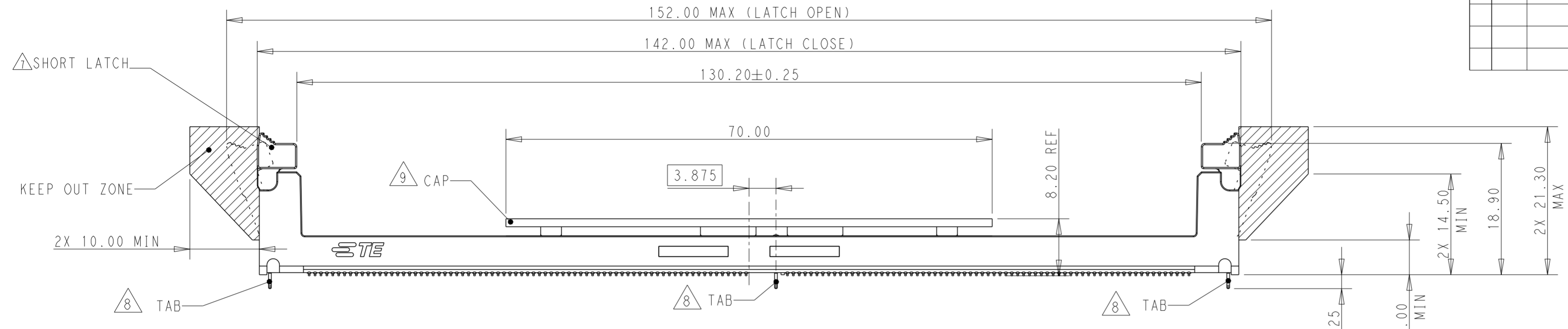
DETAIL E
SCALE 5:1



DETAIL F
SCALE 5:1

THIS DRAWING IS A CONTROLLED DOCUMENT.		DWN DAVID ZHAO 22APR2019	TE Connectivity	
DIMENSIONS: mm		CHK -		
TOLERANCES UNLESS OTHERWISE SPECIFIED:		APVD -	NAME SOCKET ASSEMBLY	
0 PLC ±	1 PLC ±0.25	PRODUCT SPEC 108-115141	DDR5 DIMM, SMT TYPE	
2 PLC ±0.15	3 PLC ±0.10	APPLICATION SPEC 114-115044	0.85MM PITCH, 288 POSITION	
4 PLC ±	ANGLES ±2°	WEIGHT -	SIZE A2	CAGE CODE 00779
MATERIAL -	FINISH -	CUSTOMER DRAWING	DRAWING NO C-2355626	RESTRICTED TO -
SCALE 1:1			SHEET 1 OF 6	REV A2

REVISIONS					
P	LTR	DESCRIPTION	DATE	DWN	APVD
		SEE SHEET 1			



- △ SHORT, LONG, MIDDLE LATCH ARE OPTIONAL FOR DIFFERENT KEEPOUT APPLICATION.
- ⊠ BOARDLOCK AND TAB ARE OPTIONAL FOR DIFFERENT APPLICATION.
- △ MYLAR AND CAP ARE OPTIONAL FOR DIFFERENT APPLICATION.

THIS DRAWING IS A CONTROLLED DOCUMENT.		DWN DAVID ZHAO 22APR2019	TE Connectivity	
DIMENSIONS: mm		CHK -		
TOLERANCES UNLESS OTHERWISE SPECIFIED:		APVD -	NAME SOCKET ASSEMBLY	
0 PLC	±0.25	PRODUCT SPEC 108-115141	DDR5 DIMM, SMT TYPE	
1 PLC	±0.15	APPLICATION SPEC 114-115044	SIZE A2	CAGE CODE 00779
2 PLC	±0.10	WEIGHT -	DRAWING NO C-2355626	RESTRICTED TO -
3 PLC	±0.10	CUSTOMER DRAWING	SCALE 1:1	SHEET 2 OF 6
4 PLC	±2°			REV A2
ANGLES				
FINISH				

REVISIONS				
P	LTR	DESCRIPTION	DATE	APVD
		SEE SHEET 1		

DDR5 DIMM NAMING RULE

X - XXXXXXXX - X

LATCH TYPE&PICKUP TYPE

- VOID: LONG LATCH & MYLAR 1
- 1: SHORT LATCH & MYLAR 1
- 2. MIDDLE LATCH & MYLAR 1
- 3: LONG LATCH & CAP
- 4: SHORT LATCH & CAP
- 5: MIDDLE LATCH & CAP
- 6: LONG LATCH W/O MYLAR & CAP
- 7: SHORT LATCH W/O MYLAR & CAP
- 8: MIDDLE LATCH W/O MYLAR & CAP
- 9: MIDDLE LATCH & MYLAR 2

XXXXXXX			
MANUFACTURE	LOCATION	HOUSING&LATCH COLOR	
QD ¹⁰	PHI ¹¹	HOUSING	LATCH
2355626	2474387	BLACK	BLACK
2355627	-	BLACK	NATURAL
2355628	-	BLACK	YELLOW
2355629	-	BLACK	BLUE
2355630	-	BLACK	GREEN
2355631	-	NATURAL	BLACK
2355632	2474391	NATURAL	NATURAL
2355633	-	NATURAL	YELLOW
2355634	-	NATURAL	BLUE
2355635	-	NATURAL	GREEN
2355636	-	YELLOW	BLACK
2355637	-	YELLOW	NATURAL
2355638	-	YELLOW	YELLOW
2355639	-	YELLOW	BLUE
2355640	-	YELLOW	GREEN
2355641	-	BLUE	BLACK
2355642	-	BLUE	NATURAL
2355643	-	BLUE	YELLOW
2355644	-	BLUE	BLUE
2355645	-	BLUE	GREEN
2355646	-	GREEN	BLACK
2355647	-	GREEN	NATURAL
2355648	-	GREEN	YELLOW
2355649	-	GREEN	BLUE
2355650	-	GREEN	GREEN

GOLD PLATING&HOLDDOWN TYPE

- 1: 30u"&3 TAB
- 2: 30u"&3 BOARDLOCK
- 3. 30u"&2 SIDETAB+1 BOARDLOCK
- 4: 15u"&3 TAB
- 5: 15u"& 3 BOARDLOCK
- 6: 15u"&2 SIDETAB+1 BOARDLOCK

DDR5 DIMM SPEC CHARACTERISTICS (MORE SPEC,CHECK TE 108-115141)

1.MECHANICAL CHARACTERISTICS

- 1.1 INSERTION FORCE OF MODULE TO CONNENTOR: 106.8N MAX.
- 1.2 UNMATING FORCE: 19.77N MIN.
- 1.3 DURABILITY: PERFORM 25 CYCLES MATING AND UNMATING.
- 1.4 INSERTION FORCE OF CONNECTOR TO PCB: 35N MAX.

2.ELECTRICAL CHARACTERISTICS

- 1.1 WITHSTANDING VOLTAGE: 500VAC PER EIA-364-20,CONDITION I.
- 1.2 INSULATION RESISTANCE: 1M OHMS MIN PER EIA-364-21,500VDC.
- 1.3 CURRENT CARRYING CAPABILITY AT 30°C TEMPERATURE: 1A MAX.
- 1.4 CONTACT RESISTANCE(LLCR):
INITIAL: 20 MILLIOHMS MAX,
FINAL: THE CHANGE IN LLCR BETWEEN THE READING AFTER STRESS AND THE INITIAL READING SHALL NOT EXCEED 20 MILLIOHMS.

3.ENVIRONMENTAL CHARACTERISTICS

- 1.1 TEMPERATURE LIFE: 105°C,120H PER EIA-364-17,METHOD A.
- 1.2 MECHANICAL SHOCK: 50G,11MILLISECONDS,3 DROPS IN EACH OF 6 DIRECTIONS PER EIA-364-27.
- 1.3 VIBRATION: 10 MINUTES PER DIRECTION FOR ALL 3 DIRECTIONS PER EIA-364-28, PROFILE SEE TE 108-115141.
- 1.4 THERMAL SHOCK: -55°C TO 85°C,5 CYCLES IN MATED CONDITION PER EIA-364-32,METHOD A,CONDITIOIN I.
- 1.5 CYCLIC TEMPERATUREHUMILITY: 24 CYCLES BETWEEN 25°C AT 80% RH AND 65°C AT 50% RH PER EIA-364-31,METHOD III.
- 1.6 THERMAL CYCLING: 500 CYCLES IN MATED CONDITION BETWEEN 15°C AND 85°C.
- 1.7 MIXED FLOWING GAS:
FOR 15U"AU TYPE, 168H MIN TESTING PER EIA-364-65,CLASS IIA.
FOR 30U"AU TYPE, 240H MIN TESTING PER EIA-364-65,CLASS IIA.

4.REFLOW PROCESS CHARACTERISTICS

- MOISTURE SENSITIVITY LEVEL OF PLASTIC MATERIALL IS LEVEL 1,
- COULD WITHSTAND 260°C,10S LEAD FREE PROCESS ABILITY.
- RECOMMENDED REFLOW PROFILE IS IN TE 108-115141.

NOTE:
MYLAR 1 LENGTH: L=70.0 ±1.0
MYLAR 2 LENGTH: L=128.0 ±1.0

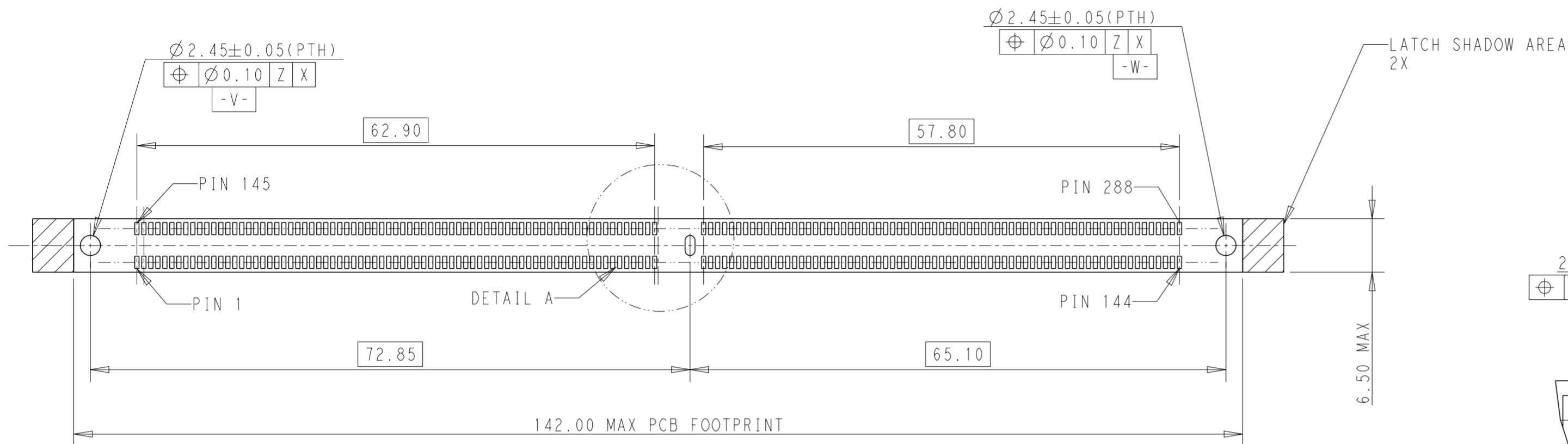
¹⁰PARTS TO BE MANUFACTURED AT QINGDAO PLANT;

¹¹PARTS TO BE MANUFACTURED AT PHILIPPINES PLANT;

THIS DRAWING IS A CONTROLLED DOCUMENT.		DWN 22APR2019 DAVID ZHAO	STE TE Connectivity	
DIMENSIONS: mm		CHK -		
TOLERANCES UNLESS OTHERWISE SPECIFIED: 0 PLC ± 1 PLC ±0.25 2 PLC ±0.15 3 PLC ±0.10 4 PLC ± ANGLES ±2° FINISH		PRODUCT SPEC 108-115141	NAME SOCKET ASSEMBLY DDR5 DIMM, SMT TYPE 0.85MM PITCH, 288 POSITION	
MATERIAL		APPLICATION SPEC 114-115044	SIZE A2	CAGE CODE 00779
		WEIGHT	DRAWING NO C-2355626	RESTRICTED TO
		CUSTOMER DRAWING	SCALE 1:1	SHEET 3 OF 6 REV A2

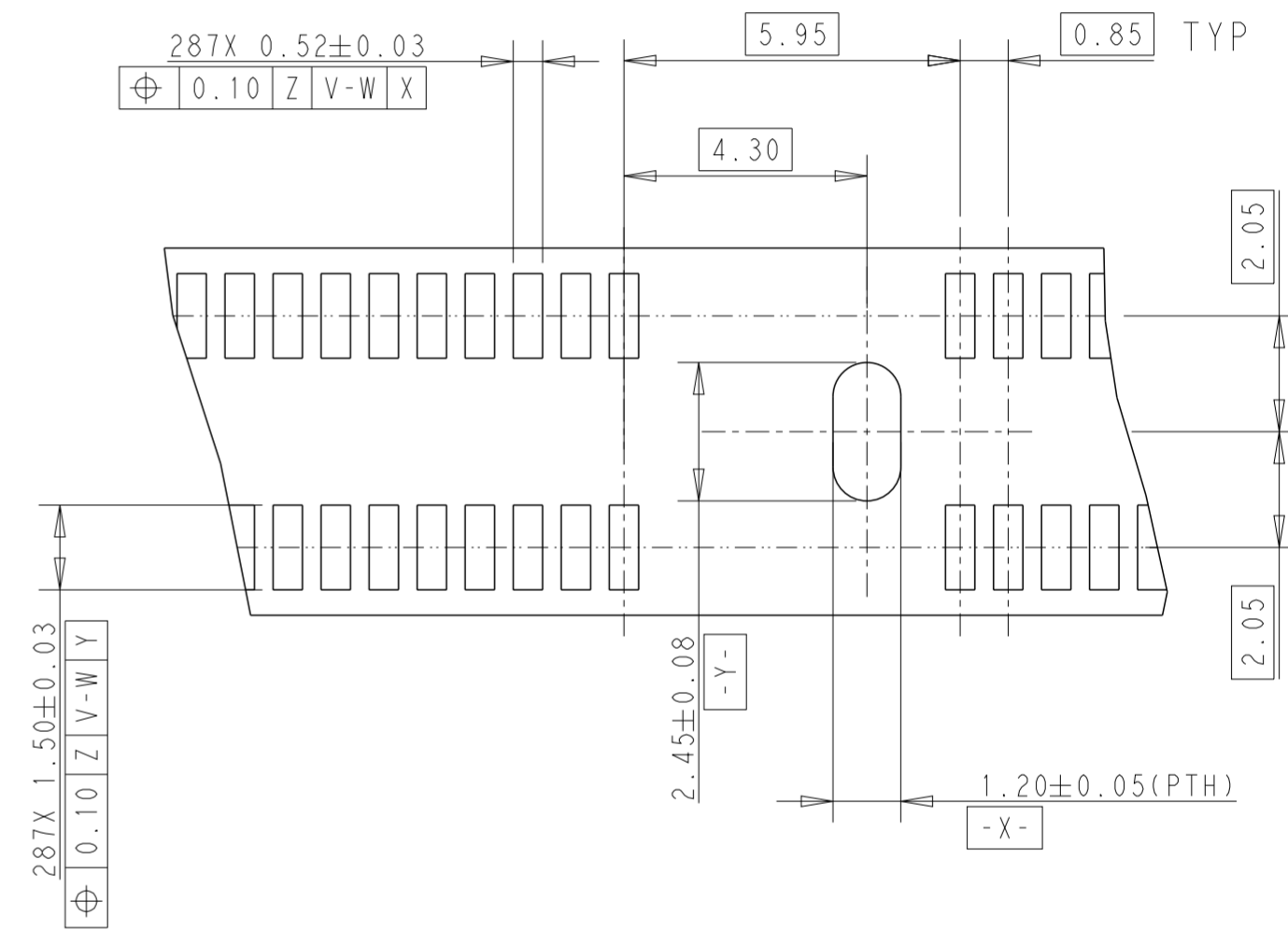
REVISIONS				
P	LTR	DESCRIPTION	DATE	APVD
		SEE SHEET 1		

1 DATUM Z IS THE TOP SIZE OF PCB.
 2 HOLD DOWN HOLE SHOULD BE PLATED THROUGH HOLE.

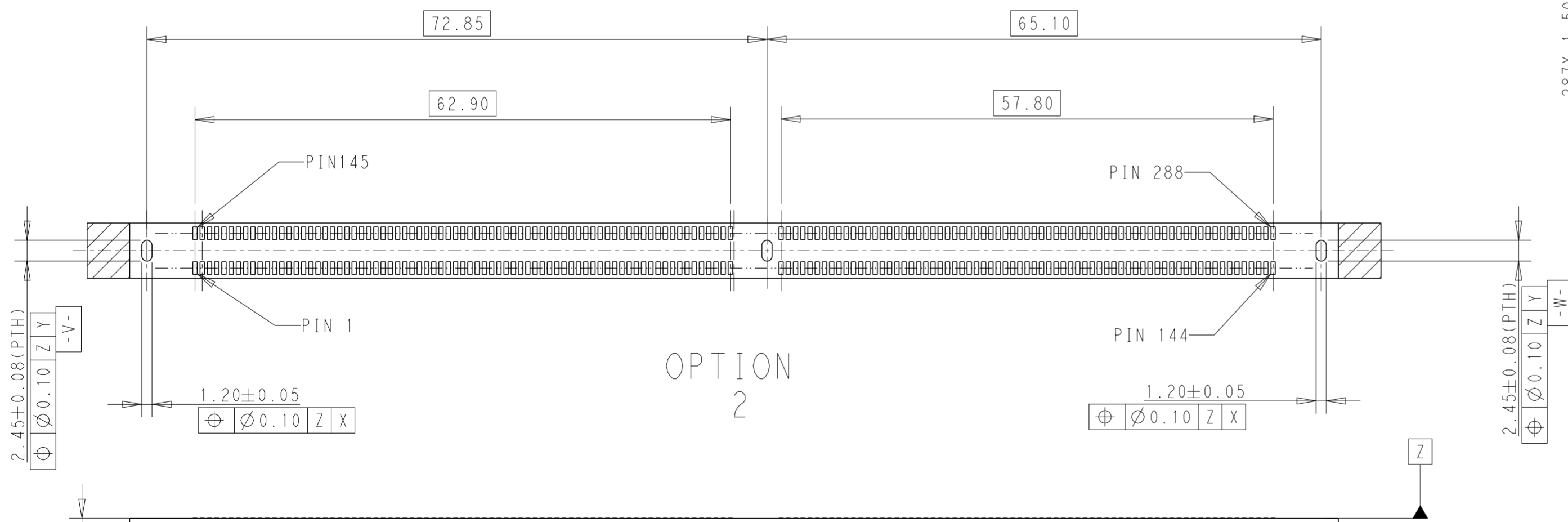


FOR SHORT LATCH, X IS 152MM MAX;
 FOR MIDDLE LATCH, X IS 156MM MAX;
 FOR LONG LATCH, X IS 162MM MAX;

OPTION 1



DETAIL A
 SCALE 8:1



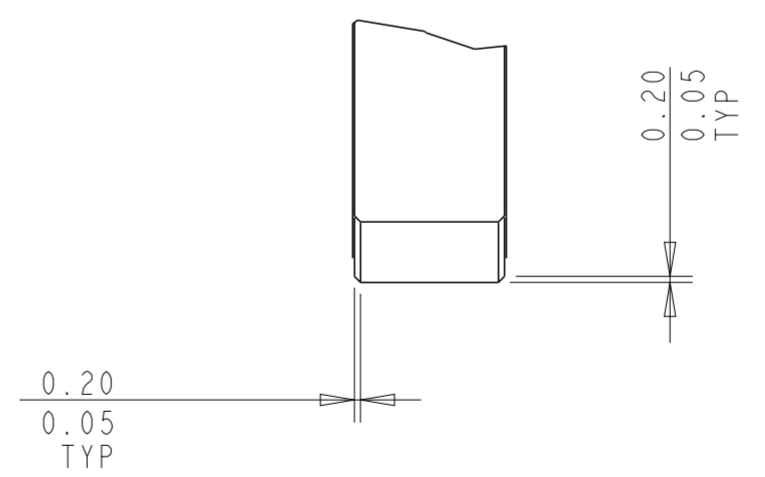
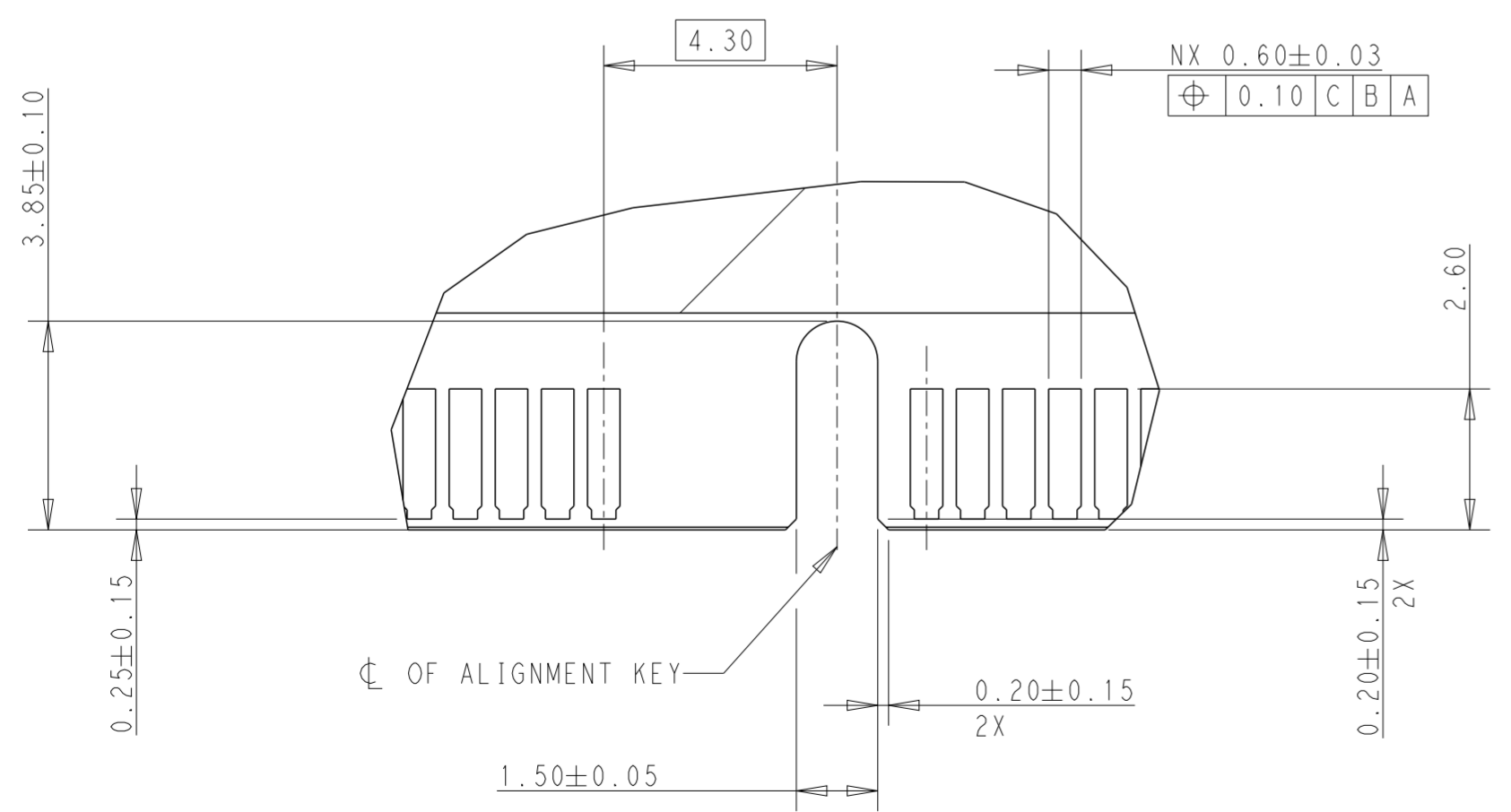
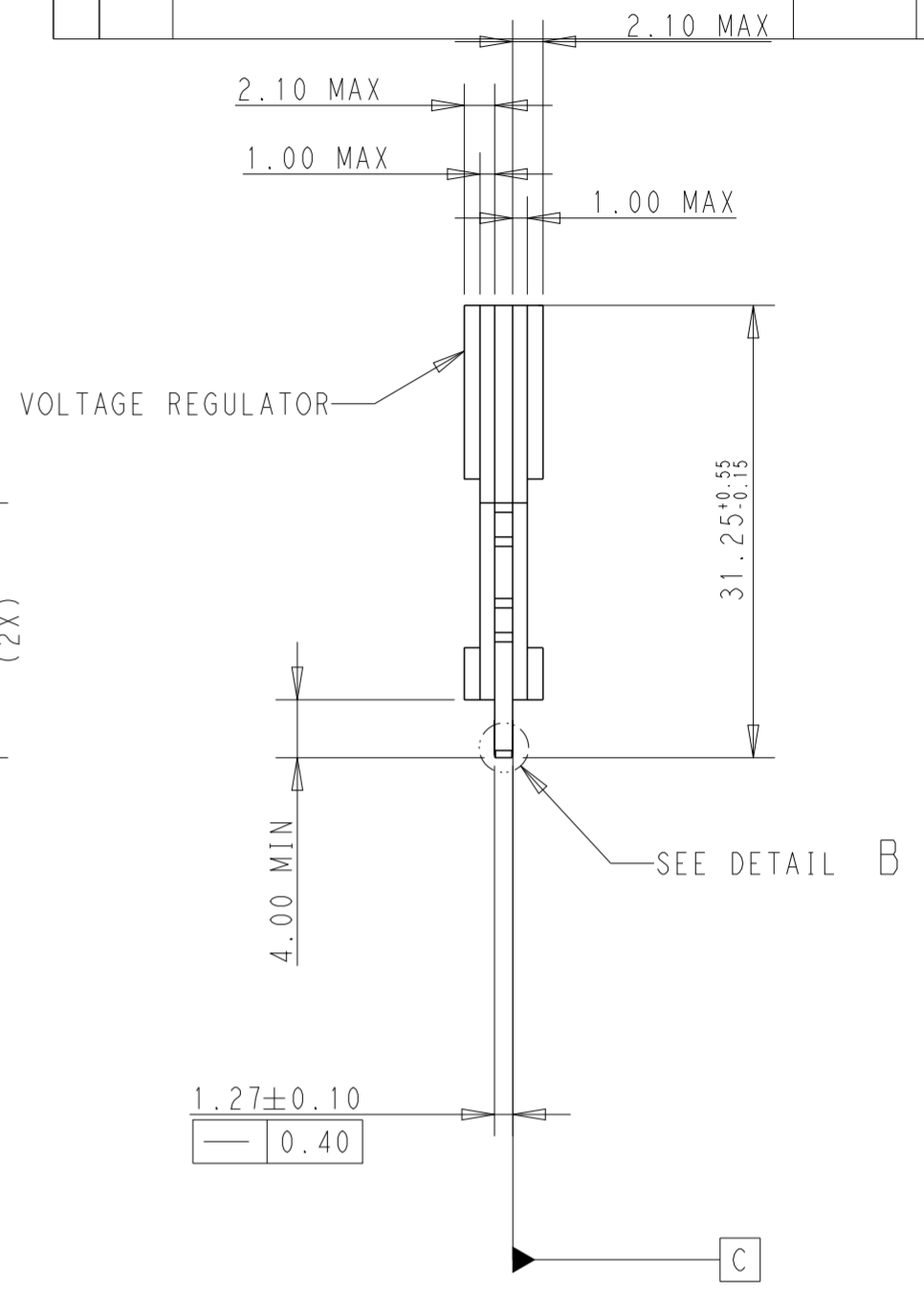
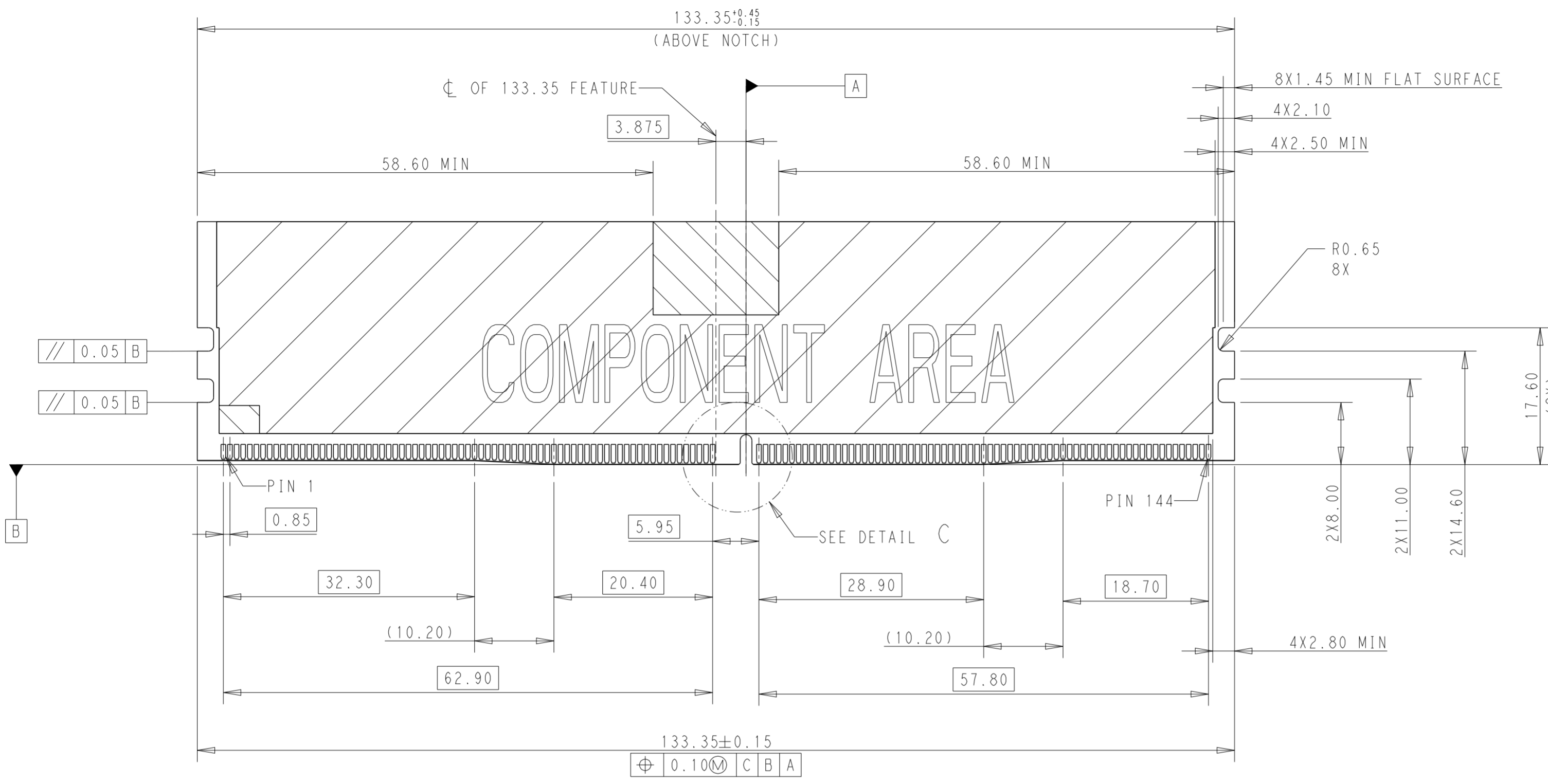
OPTION 2

RECOMMENDED PCB LAYOUT
 VIEWED FROM CONNECTOR SIDE

THIS DRAWING IS A CONTROLLED DOCUMENT.		DWN 22APR2019 DAVID ZHAO	TE Connectivity	
DIMENSIONS: mm		CHK -		
TOLERANCES UNLESS OTHERWISE SPECIFIED:		APVD -	NAME SOCKET ASSEMBLY DDR5 DIMM, SMT TYPE 0.85MM PITCH, 288 POSITION	
0 PLC ±		PRODUCT SPEC 108-115141	SIZE CAGE CODE DRAWING NO	
1 PLC ±0.25		APPLICATION SPEC 114-115044	RESTRICTED TO	
2 PLC ±0.15		WEIGHT -	A2 100779 C-2355626	
3 PLC ±0.10		CUSTOMER DRAWING	SCALE 1:1 SHEET 4 OF 6 REV A2	
4 PLC ±				
ANGLES ±2°				
FINISH -				

THIS DRAWING IS UNPUBLISHED. RELEASED FOR PUBLICATION 20
 © COPYRIGHT 2022 TE Connectivity. All Rights Reserved. ALL RIGHTS RESERVED.

REVISIONS				
P	LTR	DESCRIPTION	DATE	APVD
		SEE SHEET 1		



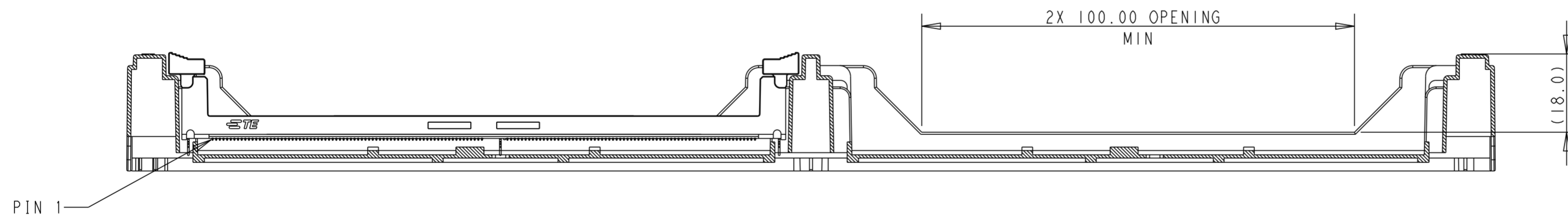
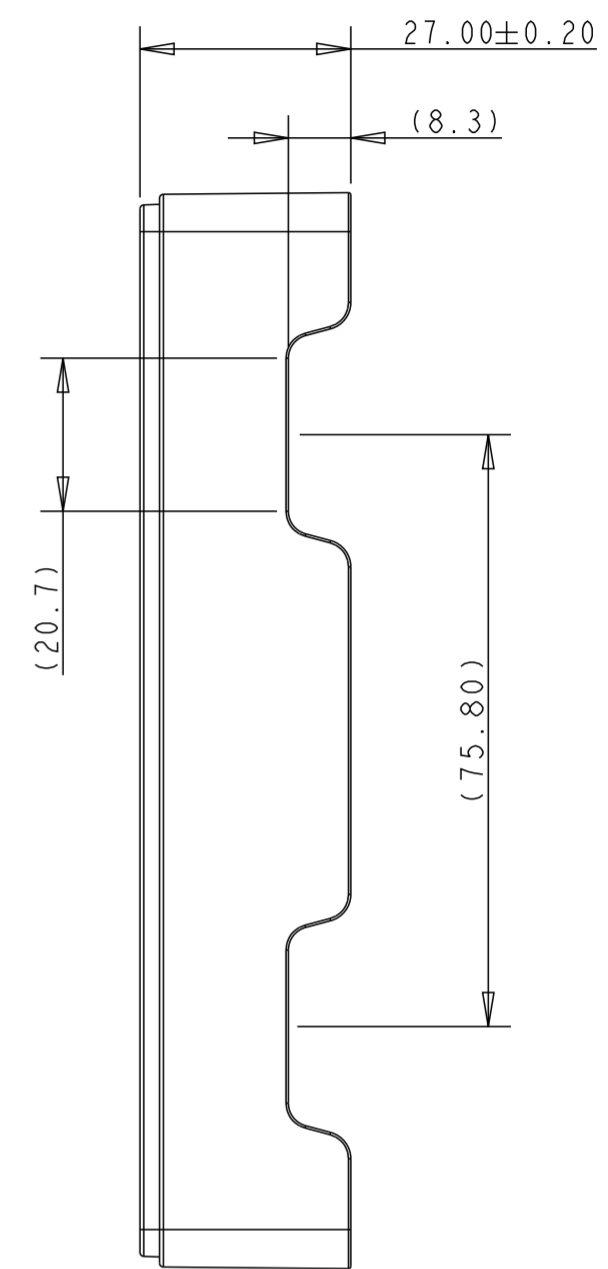
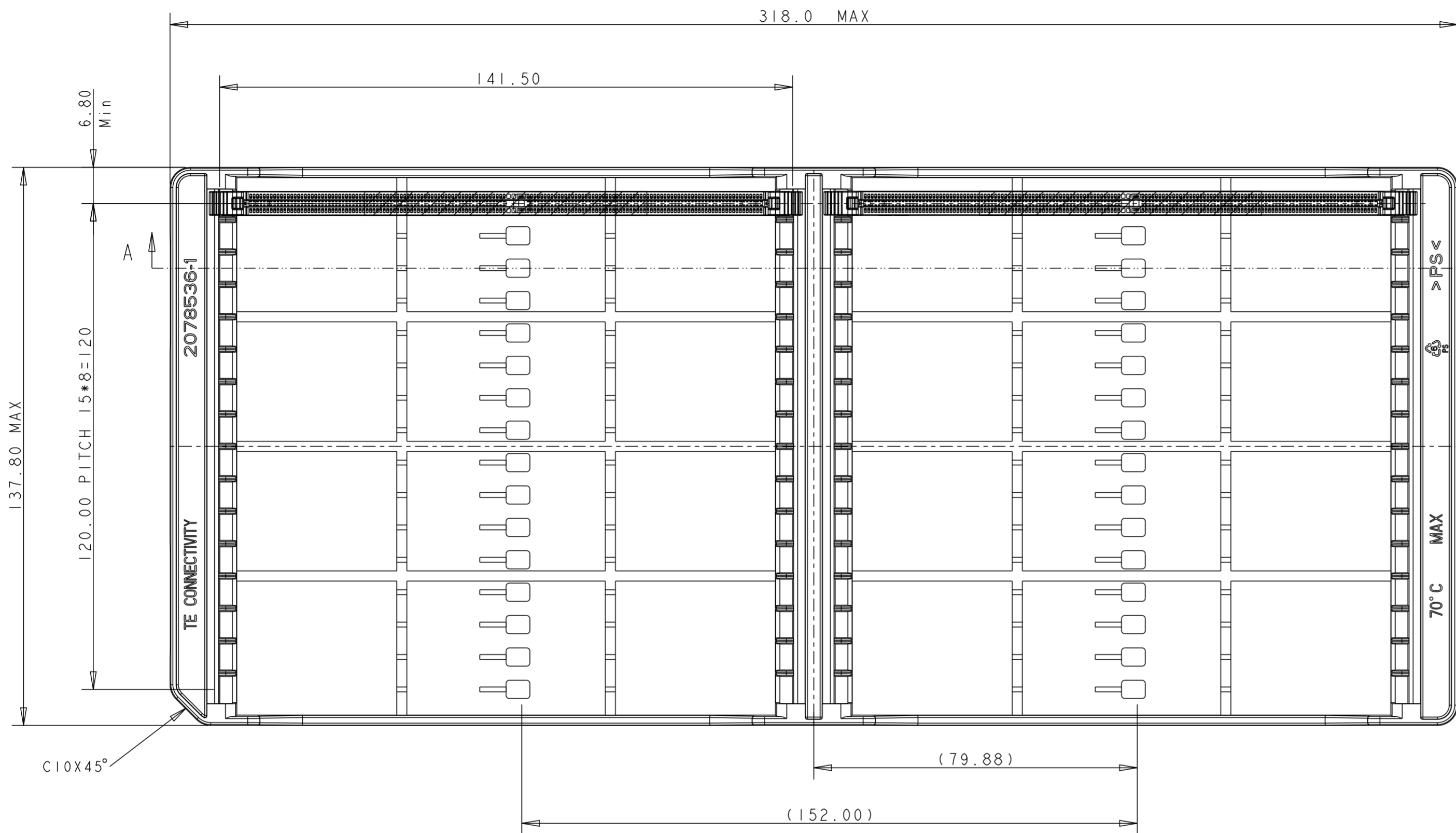
DETAIL B
SCALE 16:1

DETAIL C
SCALE 8:1

THIS DRAWING IS A CONTROLLED DOCUMENT.		DWN DAVID ZHAO 22APR2019	TE Connectivity	
DIMENSIONS: mm		CHK -		
TOLERANCES UNLESS OTHERWISE SPECIFIED:		APVD -	PRODUCT SPEC 108-115141	
0 PLC ±	1 PLC ±0.25	APPLICATION SPEC 114-115044	SIZE A2	
2 PLC ±0.15	3 PLC ±0.10	WEIGHT -	CAGE CODE 00779	
4 PLC ±	ANGLES ±2°	CUSTOMER DRAWING	DRAWING NO C-2355626	
FINISH -	-	SCALE 1:1	SHEET 5 OF 6	
			REV A2	

REVISIONS


P	LTR	DESCRIPTION	DATE	DWN	APVD
		SEE SHEET 1			



SECTION A-A

NOTES:

- MATERIALS :
TRAY: HIPS, COLOR: BLACK
BOX: CORRUGATED FIBERBOARD
- DIMENSIONS:
BOX: L=410;W=383;H=340
- QUANTITY:
32 PCS/TRAY
640 PCS/BOX
- WEIGHT:
GROSS WEIGHT: 7.5KG

THIS DRAWING IS A CONTROLLED DOCUMENT.		DWN DAVID ZHAO	22APR2019	 TE Connectivity	
DIMENSIONS: mm		CHK -	APVD -		
TOLERANCES UNLESS OTHERWISE SPECIFIED:		PRODUCT SPEC 108-115141		NAME SOCKET ASSEMBLY	
0 PLC ±		APPLICATION SPEC 114-115044		DDR5 DIMM, SMT TYPE	
1 PLC ±0.25		WEIGHT -		0.85MM PITCH, 288 POSITION	
2 PLC ±0.15		SIZE A2		CAGE CODE 00779	
3 PLC ±0.10		DRAWING NO C-2355626		RESTRICTED TO -	
4 PLC ±		CUSTOMER DRAWING		SCALE 1:1	
ANGLES ±2°		SCALE 1:1		SHEET 6 OF 6	
FINISH -		SCALE 1:1		REV A2	