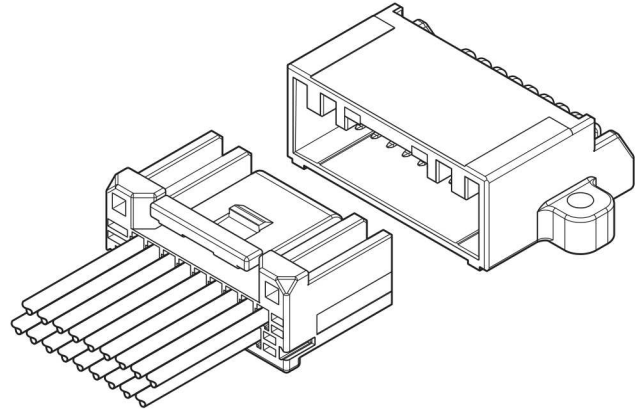


Developed in pursuit of miniaturization and low profile connector for automotive.
0.50 terminal with 2.0 mm pitch realized miniaturization.

Features

● Miniaturization and Low profile

0.50 terminal with 2.0 mm(W) X 2.5 mm(H) pitch is realized miniaturization and low profile.



Specifications

- Current rating: 3 A AC, DC (0.3 mm²)
- Temperature range: -40°C to +125°C (gold-plated)
-40°C to +105°C (tin-plated)
(including temperature rise in applying electrical current)
- Contact resistance: Initial value/ 15 mΩ max.
After environmental tests/ 15 mΩ max.
- Insulation resistance: 100 MΩ min.
- Withstanding voltage: 1,000 VAC/minute
- Applicable wire: AESSX 0.3 mm², UL3265 0.3 mm²
(Equivalent to AWG#22, Insulation O.D. φ1.5 mm max.)

* Compliant with ELV/RoHS2.

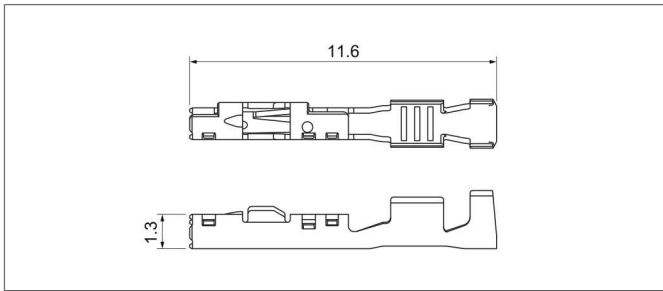
* Contact JST for details.

Product line-up

Type	No. of circuits	Female side	Male side			Remarks
			Dip type	SMT type	SMT type with flange	
Single row	5	○	○	○		Different key codes (A,B) are available.
	8	○				
	10	○				
	18		○			
Dual row	10	○	○	○	○	
	12	○		○		
	18	○	○			
	20	○		○	○	Different key codes (A,B,C,D,E,F) are available.
	24	○		○	○	Different key codes (A,B,C,D,E,F) are available.

○ : Available

Female terminal



Model No.	Applicable wire range		Q'ty/reel
	Conductor (mm ²)	Insulation O.D. (mm)	
① SMEC-A021GF-M0.5	0.3	1.5 max.	12,000
② SMEC-A021T-M0.5			

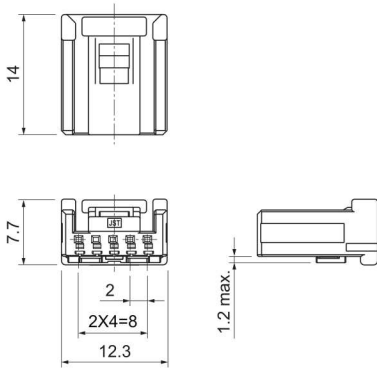
Material and Finish

- ① Copper alloy, Contact area; gold-plated
Barrel area; tin-plated
- ② Copper alloy, tin-plated

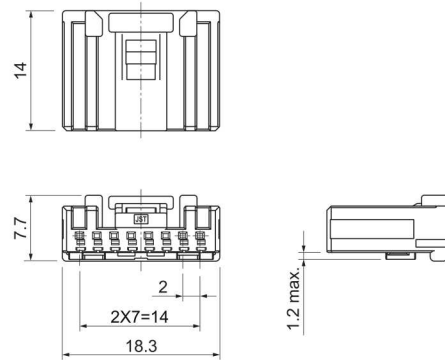
Female connector

Single row

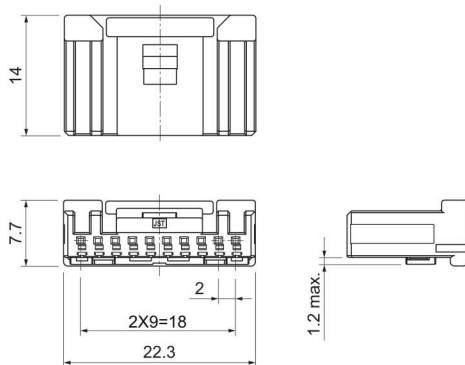
●5 circuits



●8 circuits



●10 circuits



Type	Circuits	Model No.	Q'ty/box
Single row	5	※ 05MEC-B-1A	400
	8	08MEC-B-1A	300
	10	10MEC-B-1A	200

Material and Finish

Housing: Glass-filled PBT, Black
Retainer: Glass-filled PBT, Blue

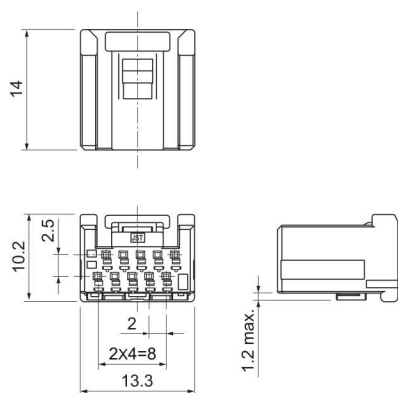
※: Key codes other than above-mentioned housing are also available.
Contact JST for details.

MEC CONNECTOR

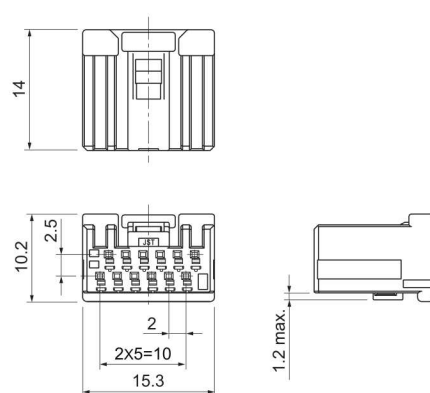
Female connector

Dual row

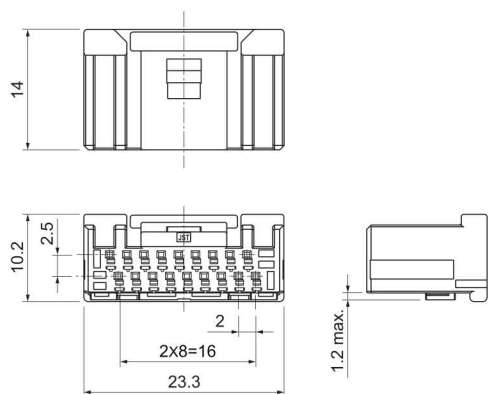
● 10 circuits



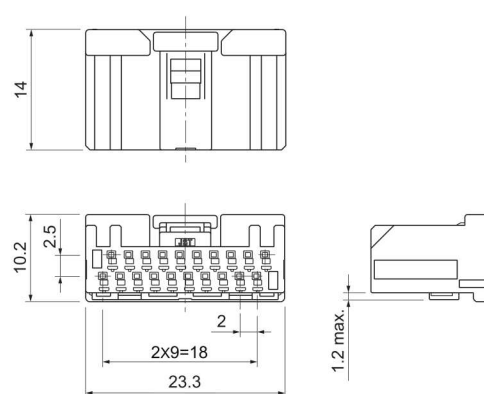
● 12 circuits



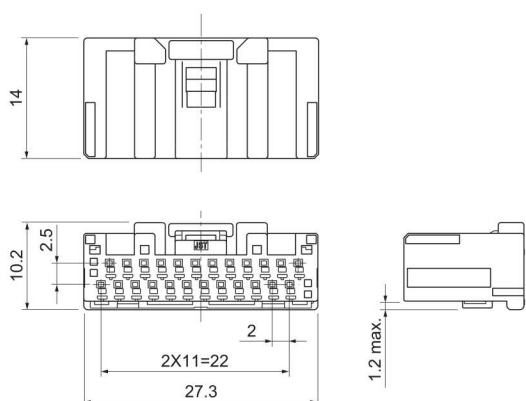
● 18 circuits



● 20 circuits



● 24 circuits



Type	Circuits	Model No.	Q'ty/box
Dual row	10	① 10MEC-B-2A	250
	12	① 12MEC-B-2A	200
	18	① 18MEC-B-2A	150
	20	※ ② 20MEC-B-2A()	150
	24	※ ① 24MEC-B-2A()	100

Material and Finish

Housing: Glass-filled PBT, Black

Retainer: ① Glass-filled PBT, Blue

② Glass-filled PBT, Natural (white)

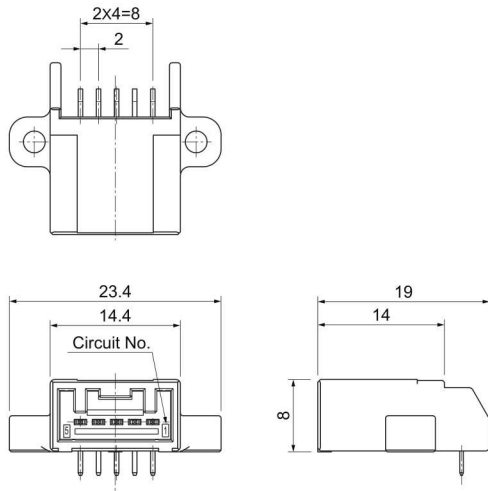
※: Color/Key codes other than above-mentioned housing are also available. Contact JST for details.

Male connector

DIP type

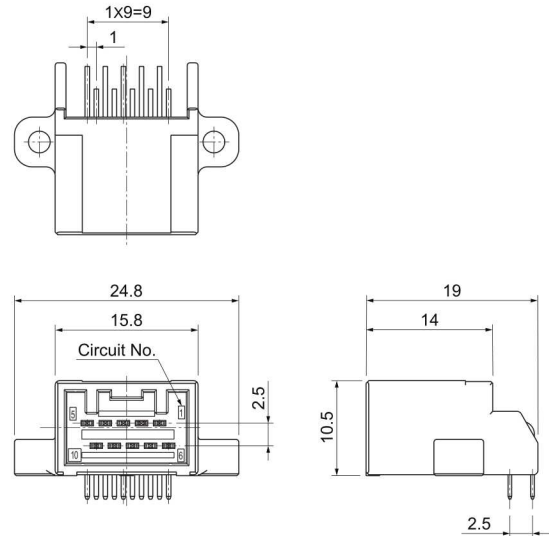
Single row

●5 circuits

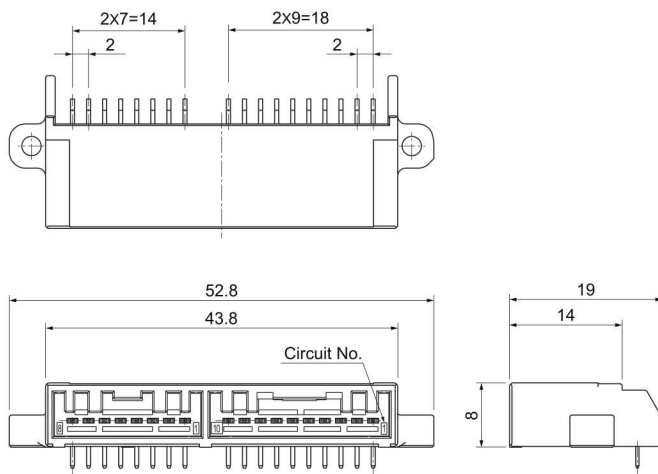


Dual row

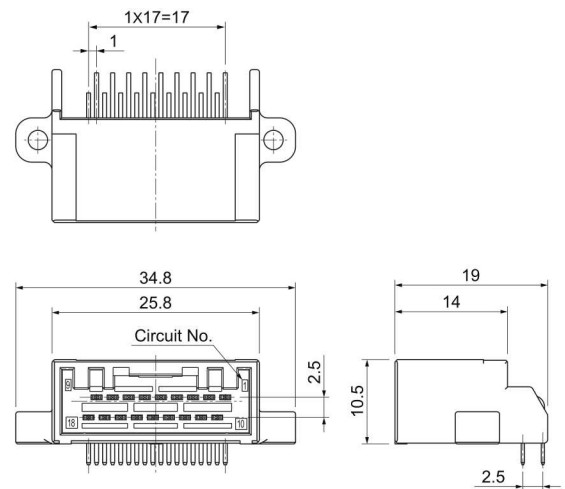
●10 circuits



●18 (10+8) circuits



●18 circuits



Type	Circuits	Model No.	Q'ty/box
Single row	5	S05B-MECK-1GA-A	700
	18 (10+8)	S18B-MECK-1GA-A	350
Dual row	10	S10B-MECK-2GA-A	504
	18	S18B-MECK-2GA-A	392

Material and Finish

Housing: Glass-filled PBT, Black

Terminal: Copper alloy, Contact area; gold-plated

Barrel area; tin-plated (reflow treatment)

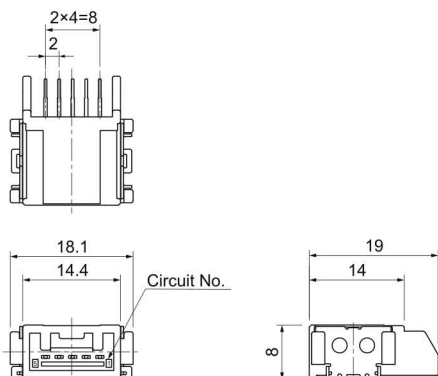
(Note) In addition to the above, tin-plated type product is also available.
Contact JST for details.

MEC CONNECTOR

Male connector

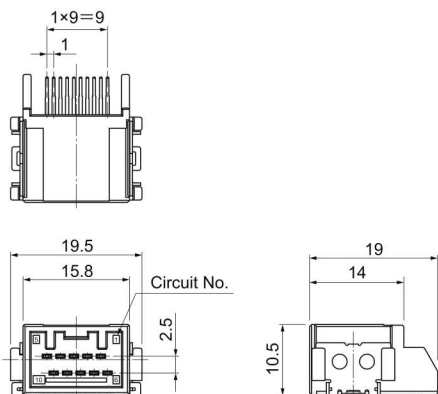
SMT type Single row

● 5 circuits

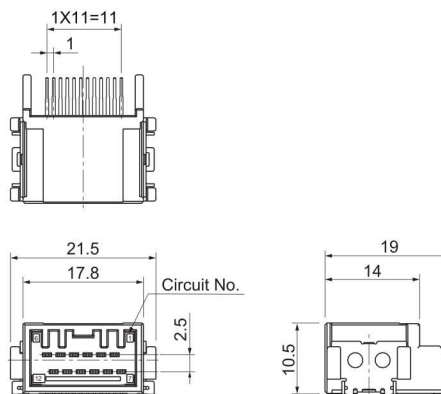


Dual row

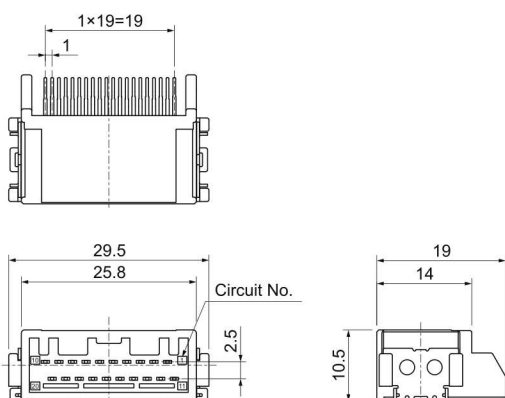
● 10 circuits



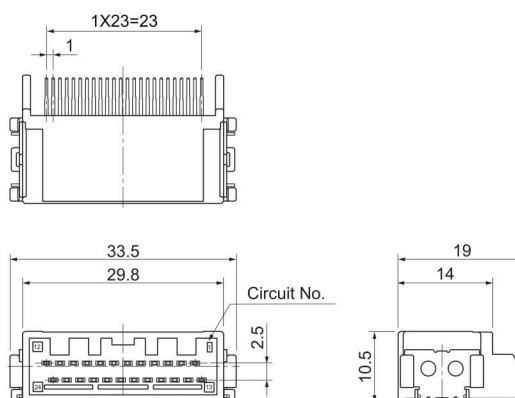
● 12 circuits



● 20 circuits



● 24 circuits



Type	Circuits	Model No.	Q'ty/reel
Single row	5	※2	
Dual row	10	① SM10B-MECK-2GA-A-TB	200
	12	① SM12B-MECK-2GA-A-TB	200
	20	※1 ② SM20B-MECK-2TA()-A-TB	200
	24	※1 ② SM24B-MECK-2TA()-A-TB	200

Material and Finish

Housing: Glass-filled LCP, Black

Terminal: ① Copper alloy, Contact area; gold-plated
Barrel area; tin-plated (reflow treatment)

② Copper alloy, tin-plated (reflow treatment)

Note) ※1: Key codes other than above-mentioned housing are also available. Contact JST for details.

※2: Contact JST for details of 5 circuits.

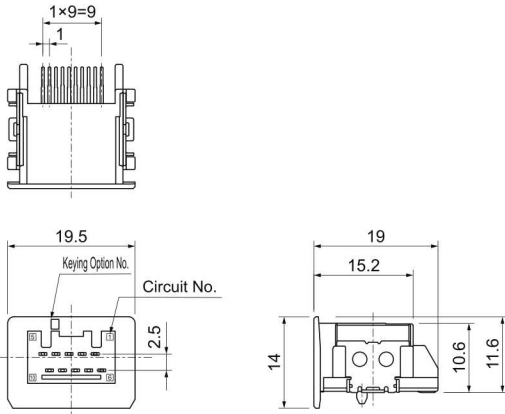
In addition to the above, different plating type product is also available. Contact JST for details.

Male connector

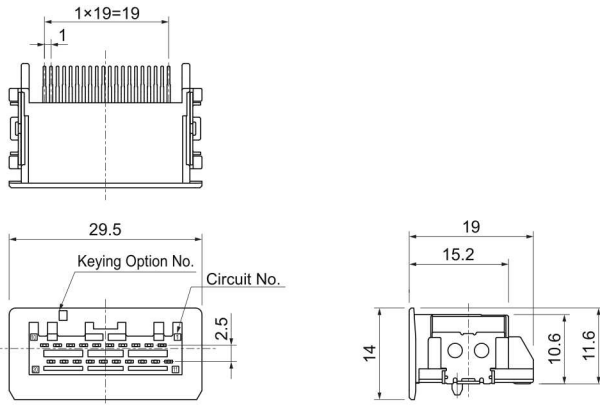
SMT type

Dual row (with flange)

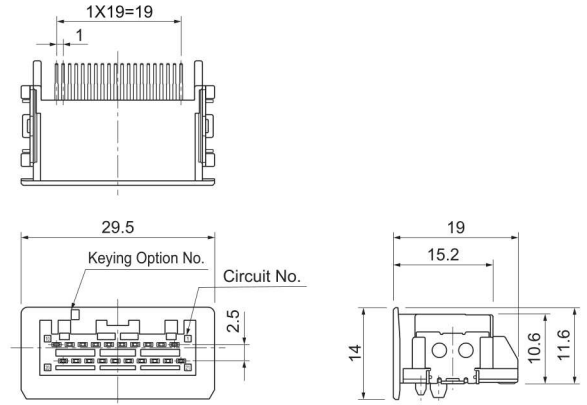
● 10 circuits



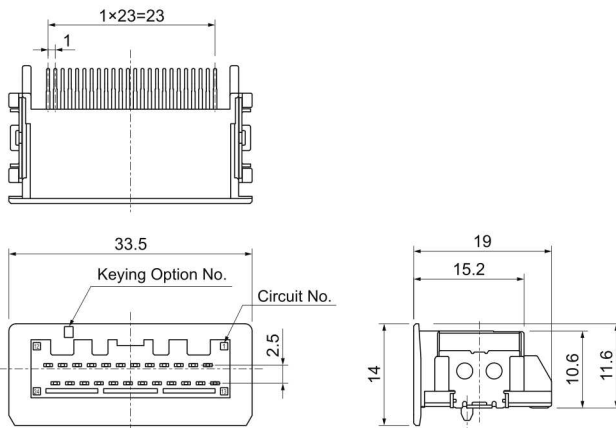
● 20 circuits (SM20B-MECK-2TE()-A-TB)



● 20 circuits (SM20B-MECK-2TC()-A-TB)



● 24 circuits



Type	Circuits	Model No.	Q'ty/reel
Dual row	10	※2	
	20	※1 ① SM20B-MECK-2TE()-A-TB	200
		※1 ② SM20B-MECK-2TC()-A-TB	200
	24	※2	

Material and Finish

Housing: Glass-filled LCP, Black

Terminal: ① Copper alloy, tin-plated (reflow treatment)

② Copper alloy, tin-plated

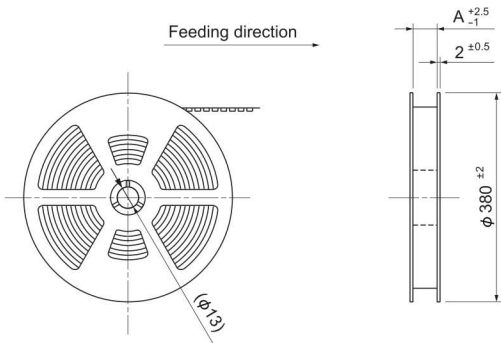
Note: ※1: Key codes other than above-mentioned housing are also available. Contact JST for details.

※2: Contact JST for details of 10 and 24 circuits.

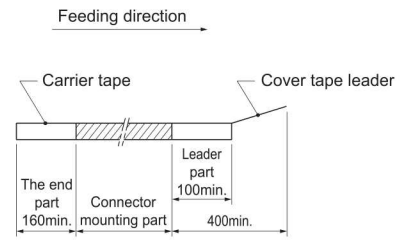
In addition to the above, gold-plated type product is also available. Contact JST for details.

MEC CONNECTOR

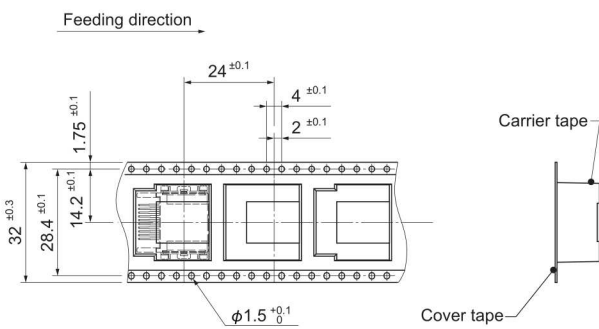
Taping specifications



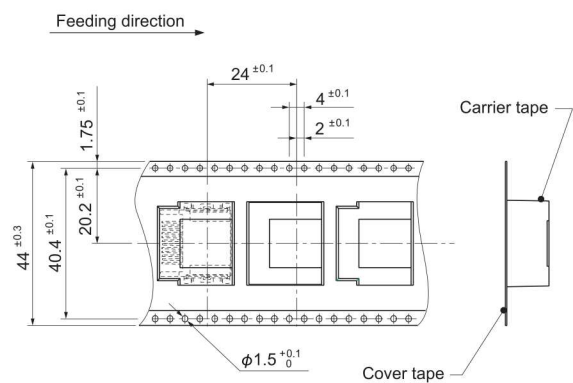
Circuits	A
10	33.5
12	45.5
20	45.5
24	57.5



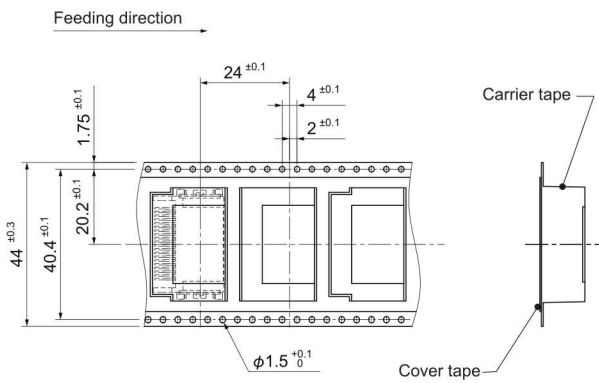
● 10 circuits



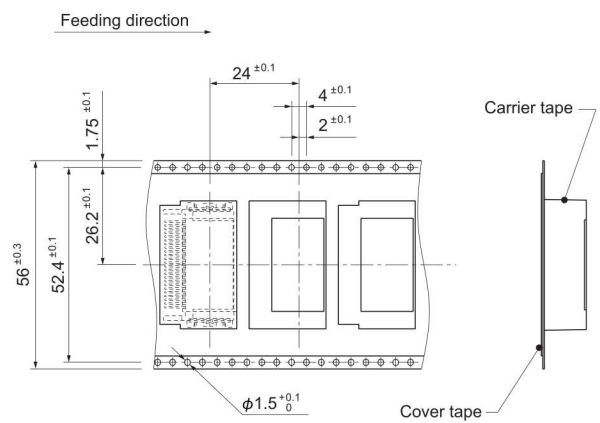
● 12 circuits



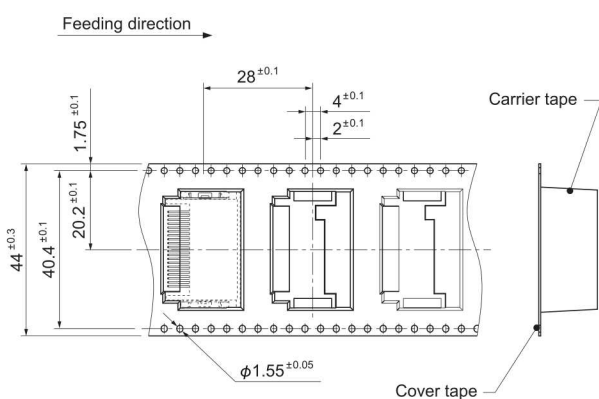
● 20 circuits



● 24 circuits



● 20 circuits (with flange)

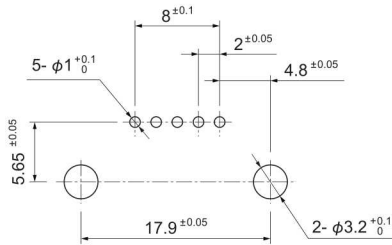


PC board layout, Assembly layout

DIP type

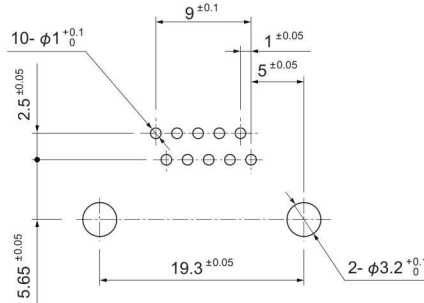
Single row

● 5 circuits

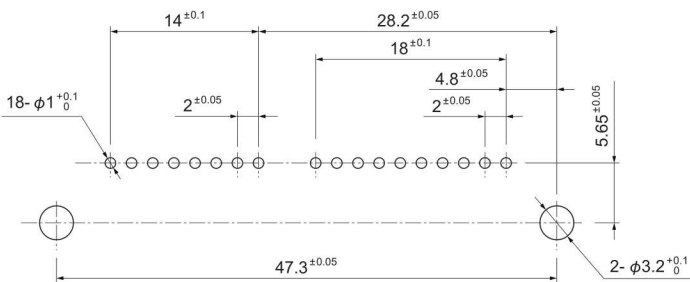


Dual row

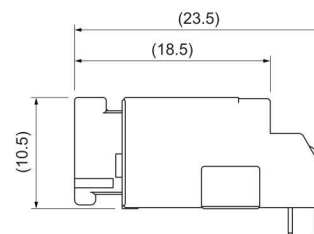
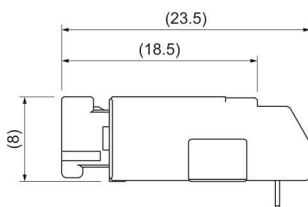
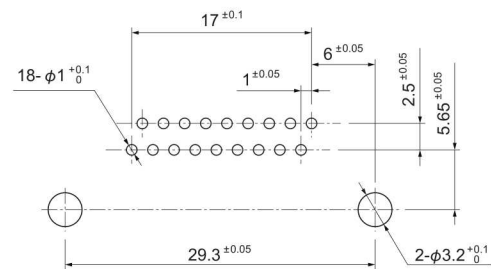
● 10 circuits



● 18 (10+8) circuits



● 18 circuits

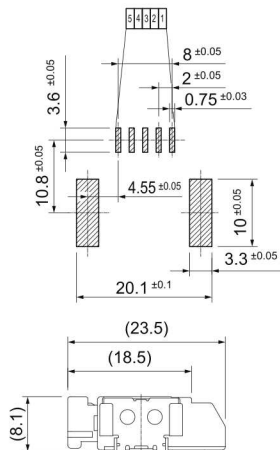


- Note: 1. Tolerances are non-cumulative: ± 0.05 mm for all centers.
 2. Hole dimensions differ according to the type of PC board and piercing method.
 The dimensions above should serve as guideline. Contact JST for details.

PC board layout, Assembly layout

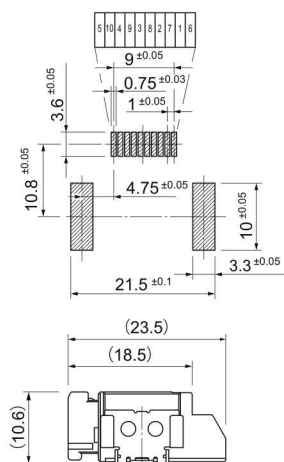
SMT type Single row

●5 circuits

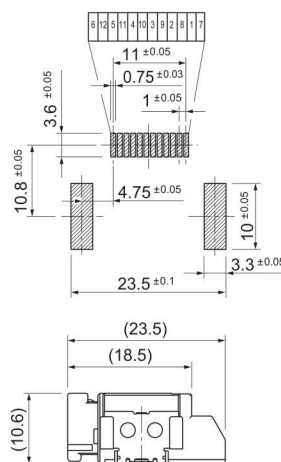


Dual row

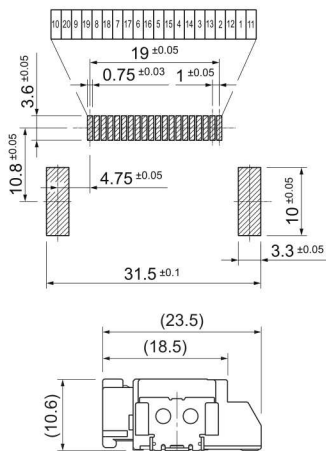
●10 circuits



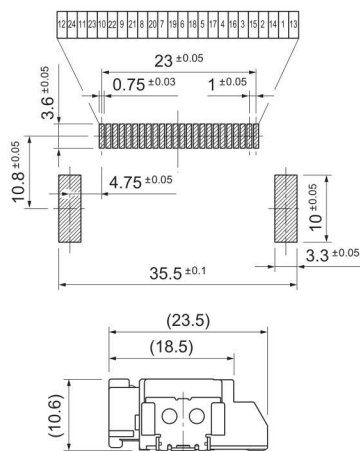
●12 circuits



●20 circuits



●24 circuits



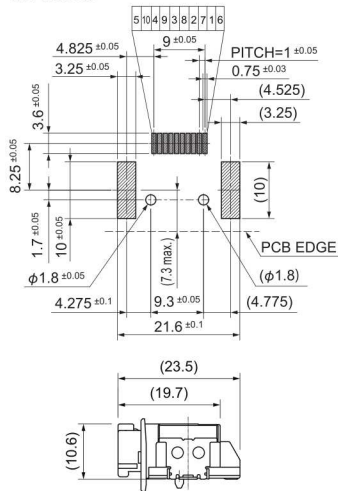
Note: Tolerances are non-cumulative: ±0.05 mm for all centers.
The dimensions above should serve as guideline. Contact JST for details.

PC board layout, Assembly layout

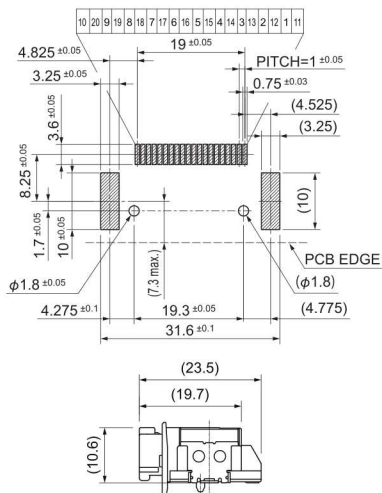
SMT type

Dual row (with flange)

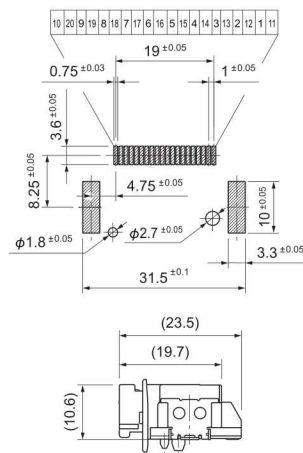
● 10 circuits



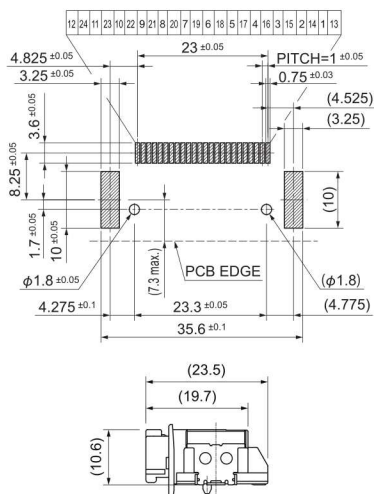
● 20 circuits (SM20B-MECK-2TE (-)A-TB)



● 20 circuits (SM20B-MECK-2TC (-)A-TB)



● 24 circuits



Note: Tolerances are non-cumulative: ± 0.05 mm for all centers.
The dimensions above should serve as guideline. Contact JST for details.

Crimping machine, Applicator

Strip terminal	Crimping machine	Crimp applicator MKS-L	
		Dies	Crimp applicator with dies
SMEC-A021GF-M0.5	AP-K2N	MK/SMEC-A021-05	APLMK SMEC-A021-05
SMEC-A021T-M0.5			

Note: When crimping operation is conducted using an applicator and die set other than the above, JST cannot guarantee the performance of the terminal.