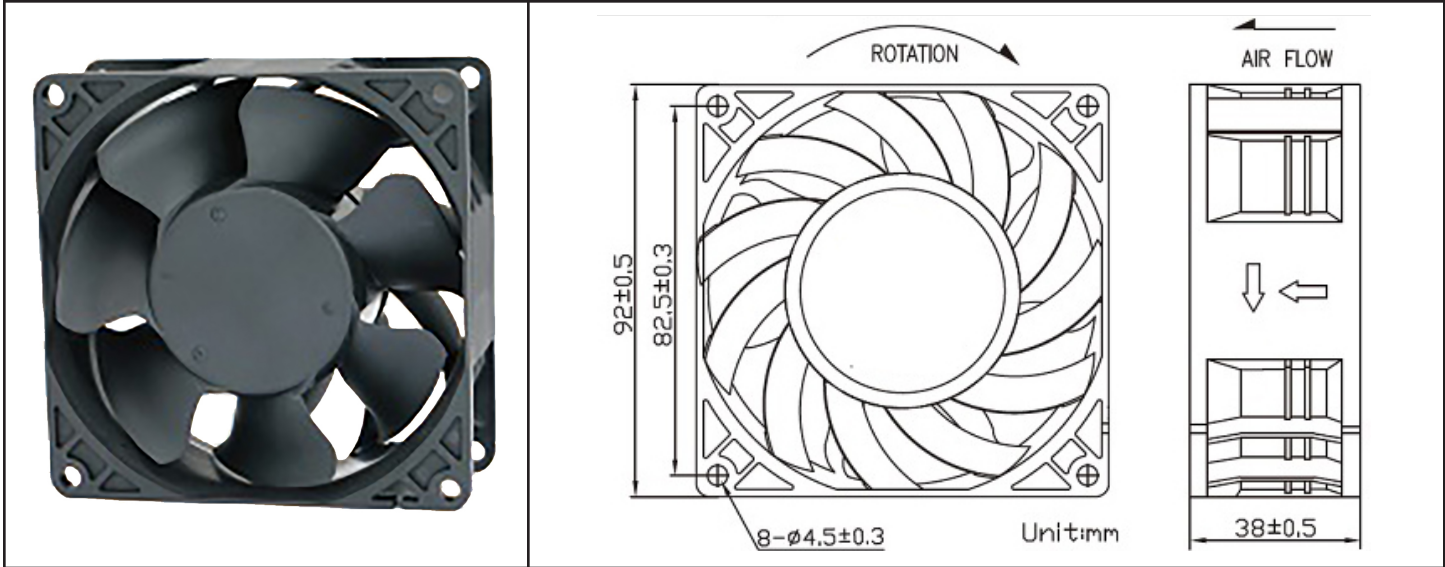


# OD9238 IP68 Series



DC Fan - 24, 48V  
92x38mm (3.62"x 1.5")



Frame & Impeller	PBT, UL94V-0 plastic	<b>Available Options:</b> Tachometer Alarm PWM  <b>Life Expectancy (L10)</b> Ball - 70,000 hrs (40C)  <b>Operating Temperature</b> Ball: -10C ~ 70C  Weight: ~ 0.44 lbs  m0	
Connection	2x Lead wires 24AWG		
Motor	Brushless DC, auto restart, polarity protected, IP68		
Bearing System	Ball bearing		
Insulation Resistance	10M ohm between leadwire and frame (500 VDC)		
Dielectric Strength	1 minute at 500 VAC, max leakage < 500 µA		
Storage Temperature	-40C ~ +75C		

Model Number	Speed (RPM)	Airflow (CFM)	Noise (dB)	Volts DC	Input Power (Watts)	Amps	Max. Static Pressure ("H <sub>2</sub> O)
OD9238-24HHBIP68	5000	109.2	58	24	10.8	0.45	0.86
OD9238-24HBIP68	4500	92.28	56	24	9.6	0.4	0.7
OD9238-24MBIP68	4000	87.36	53	24	7.2	0.3	0.55
OD9238-24LBIP68	3500	76.5	50	24	4.8	0.2	0.42
OD9238-48HHBIP68	5000	109.2	58	48	14.4	0.3	0.86
OD9238-48HBIP68	4500	92.28	56	48	12	0.25	0.7
OD9238-48MBIP68	4000	87.36	53	48	9.6	0.2	0.55
OD9238-48LBIP68	3500	76.5	50	48	7.2	0.15	0.42

# Mouser Electronics

Authorized Distributor

Click to View Pricing, Inventory, Delivery & Lifecycle Information:

## Orion Fans:

[OD9238-24HBIP68](#) [OD9238-48MBIP68](#) [OD9238-24LBIP68](#) [OD9238-48HHBIP68](#) [OD9238-48LBIP68](#) [OD9238-24MBIP68](#) [OD9238-24HHBIP68](#) [OD9238-48HBIP68](#)