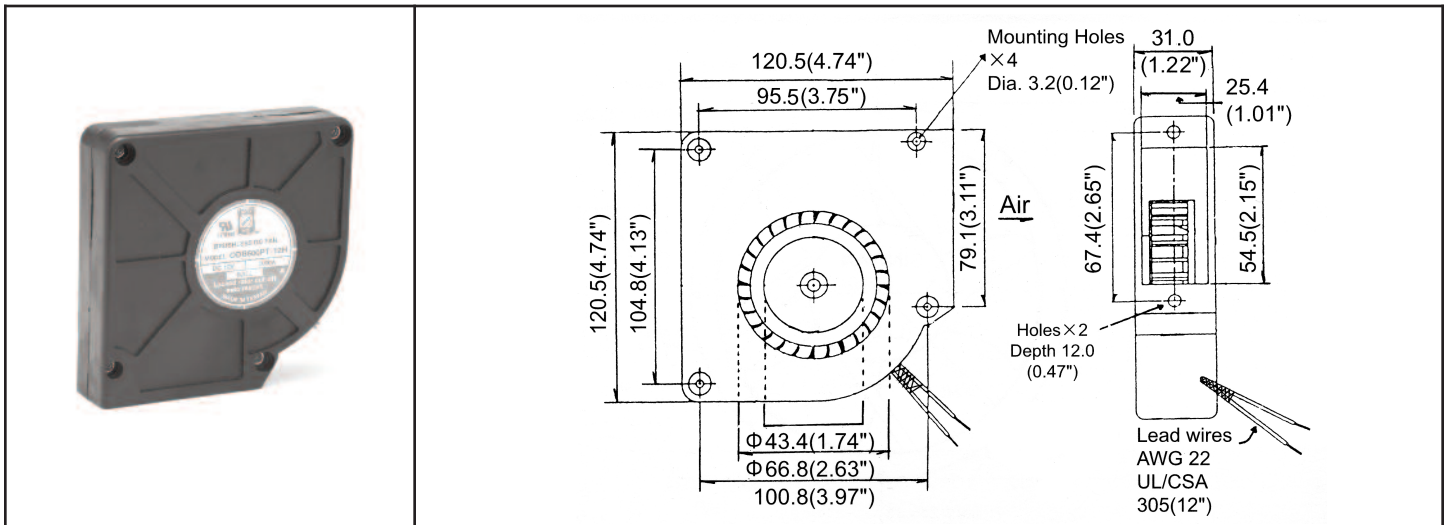


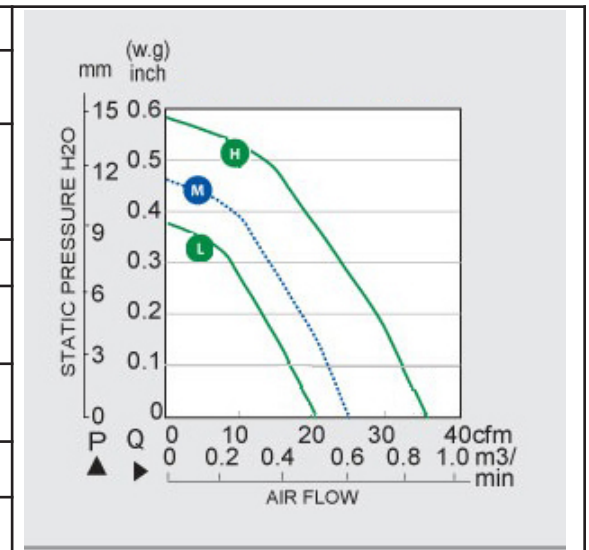
ODB600PT Series



Single Side Inlet, DC Blower
120x31mm (4.7"x 1.22")



Frame & Impeller	PBT, UL94V-O plastic
Connection	2x Lead wires
Motor	Brushless DC, auto restart, locked rotor and polarity protected
Bearing System	Dual ball
Insulation Resistance	10M ohm between leadwire and frame (500VDC)
Dielectric Strength	1 minute at 500VAC / 1 second, max leakage 500 microamp
Temperature Range	-10C ~ +70C
Life Expectancy (L10)	60,000 hours



Model Number	Speed (RPM)	Airflow (CFM)	Noise (dB)	Volts DC	Voltage Range	Amps	Max. Static Pressure ("H2O)
ODB600PT-12HB	2700	30	49	12	8~14	0.60	0.49
ODB600PT-12MB	2300	22	42	12	8~14	0.47	0.42
ODB600PT-12LB	1800	20	30	12	8~14	0.20	0.35
ODB600PT-24HB	3000	30	49	24	10~29	0.37	0.49
ODB600PT-24MB	2500	22	42	24	10~29	0.30	0.42
ODB600PT-24LB	1800	20	30	24	10~29	0.20	0.35
ODB600PT-48HB	3000	30	49	48	24~56	0.15	0.49
ODB600PT-48MB	2300	22	42	48	28~56	0.12	0.42

Mouser Electronics

Authorized Distributor

Click to View Pricing, Inventory, Delivery & Lifecycle Information:

Orion Fans:

[ODB600AN-12MB](#) [ODB600AN-48HS](#) [ODB600AN-12LS](#) [ODB600AN-24HB](#) [ODB600AN-24MS](#) [ODB600AN-12HB](#)
[ODB600AN-48MS](#) [ODB600AN-24HS](#) [ODB600AN-24MB](#) [ODB600AN-48LB](#) [ODB600AN-24LB](#)