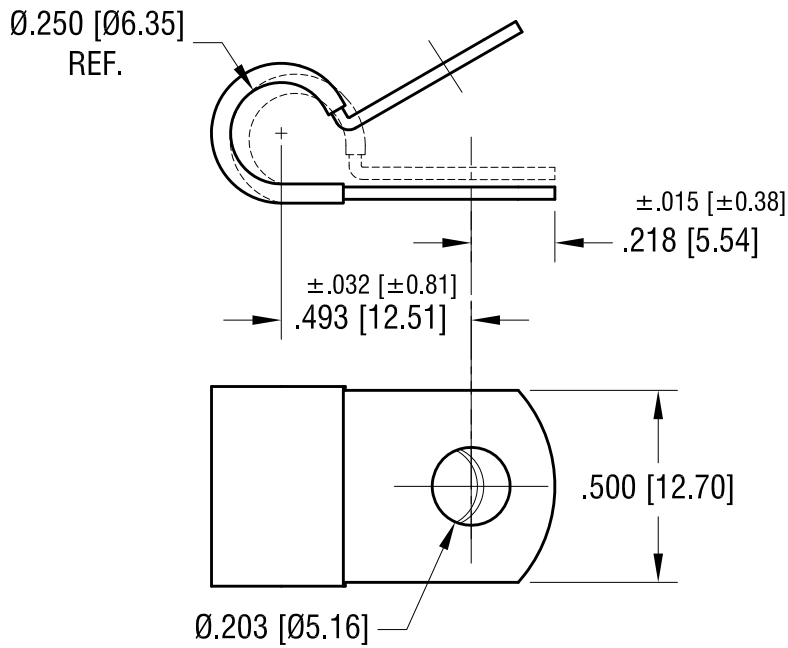
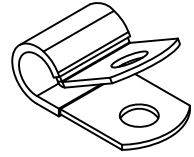


THIS DOCUMENT IS THE PROPERTY OF  
KEYSTONE ELECTRONICS CORP. AND  
SHALL NOT BE REPRODUCED, DISTRIBUTED  
OR USED AS A BASIS FOR MANUFACTURE  
WITHOUT PRIOR WRITTEN PERMISSION  
FROM KEYSTONE ELECTRONICS CORP.

ACTUAL SIZE



**KEYSTONE ELECTRONICS CORP.**

www.keyelco.com • NEW HYDE PARK, NY 11040 • Tel (516) 328-7500

PART NAME

INSULATED STEEL CABLE CLAMP

MATERIAL

.032 [0.81] TH'K STEEL, BLACK VINYL

FINISH

ZINC PLATE  
CLEAR CHROMATE

DRN BY

BOONE

DATE

10.20.99

APP'D

RH

SCALE

2X

TOLERANCES

INCH [MM]

DECIMAL

± .010 [± .025]

ANGULAR

± 1°

UNLESS OTHERWISE SPECIFIED

CODE

C

DWG NO.

8122

2.27.24	CHANGE AS PER PCN 24-015	B
10.18.06	CHANGE AS PER ECN 06-070	A
DATE	DESCRIPTION	REV.