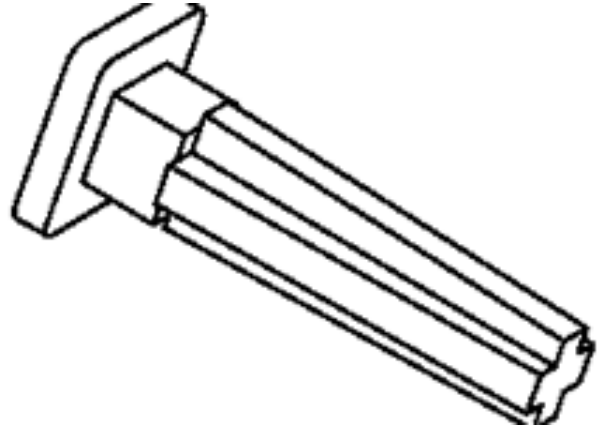




Part Number : [15040220](#)
Product Description : 3.96mm Pitch KK
Polarizing Peg with Boss
Series Number : 2560
Status : Active
Product Category : Connector Accessories
Engineering Number : 25602



Documents & Resources

Drawings

[Drawing 015040220_sd.pdf](#)

3D Models and Design Files

[3D Model 015040220_stp.zip](#)

Product Environment Compliance

Compliance

GADSL/IMDS	Not Relevant
China RoHS	
EU ELV	Not Relevant
Low-Halogen Status	Low-Halogen per IEC 61249-2-21
REACH SVHC	Not Contained per D(2024)4144-DC (27 June 2024)
EU RoHS	Compliant per EU 2015/863

Multiple Part Product Compliance Statements

- Eu RoHS
- REACH SVHC
- Low-Halogen

Multiple Part Industry Compliance Documents

- IPC 1752A Class C
- IPC 1752A Class D
- Molex Product Compliance Declaration

- IEC-62474

- chemSHERPA (xml)

EU RoHS Certificate of Compliance

Part Details

General

Status	Active
Category	Connector Accessories
Series	2560
Description	3.96mm Pitch KK Polarizing Peg with Boss
Component Type	Polarizing Key
Product Family	KK Interconnect Systems
Product Name	KK 396
UPC	800754220743

Physical

Circuits (Loaded)	1
Circuits (maximum)	1
Color - Resin	Natural
Lock to Mating Part	No
Material - Resin	Nylon
Net Weight	0.051/g
Packaging Type	Bag

Solder Process Data

Lead-Free Process Capability	N/A
------------------------------	-----

Use with Part(s)

Description	Part Number
KK 3.96mm Single Row Crimp Housings	<u>2139</u>
