

# 133mm Plastic Backward Centrifugal Fan

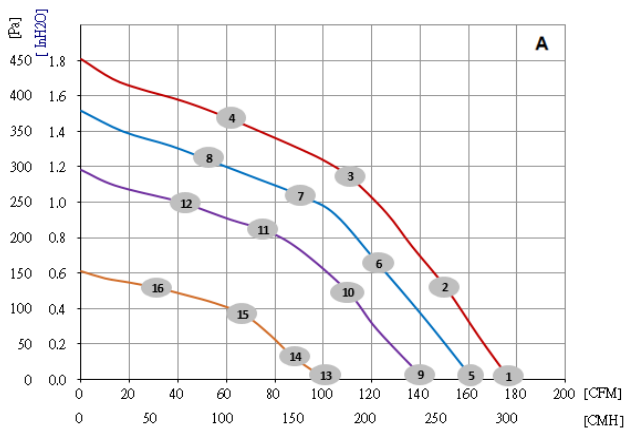
## Specification:

- Material: Impeller: Plastic  
Rotor: Zinc Plating Steel  
Electronics housing: Die-cast aluminium
- Number of blades: 7
- Direction of rotation: Clockwise viewed toward rotor
- Insulation class: "B"
- Installation position: Any
- Degree of protection: IP54
- Condensation drainage holes: None
- Mode: Continuous operation (S1)
- Mounting: Maintenance-free ball bearings
- Technical features: Controller input PWM or PWM/0-10V
- Cable exit: Variable
- Protection class: I (with customer connection of protective earth)
- Conformity with standards: EN 60335-1
- Weight: 1.2KG



## Performance:

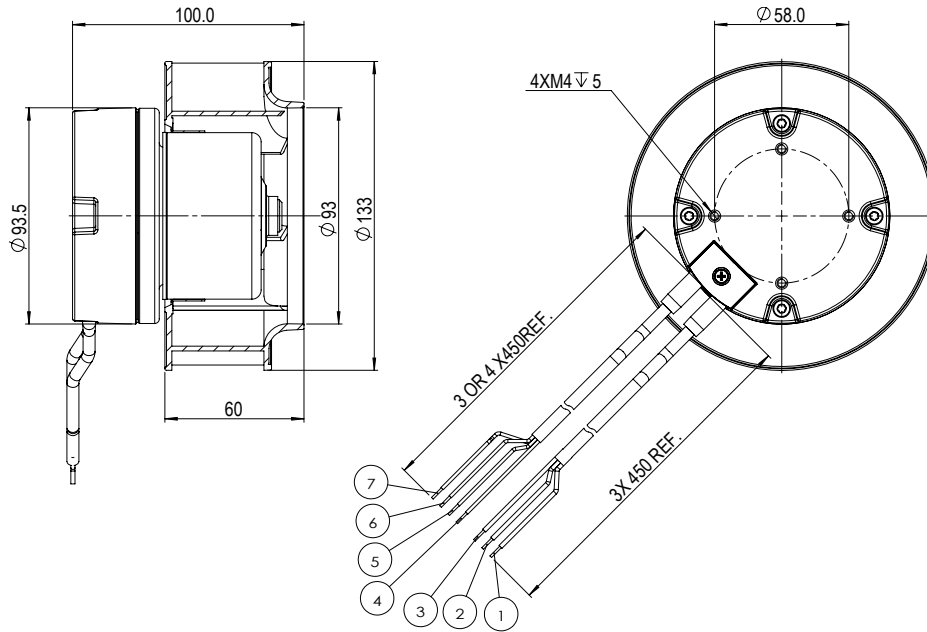
Nominal data	Platform	Curve	Nominal voltage range	Frequency	Speed*	Max input power*	Max input current*	Operating ambient temp	Life time	PWM	PWM/0-10V
Type	Motor		VAC	Hz	rpm	W	A	°C	Hr		
ECO133CB235072140	OD72	A	230	50 / 60	4520	60	0.54	-20 to +60	40,000	●	
ECO133CB235072240											●



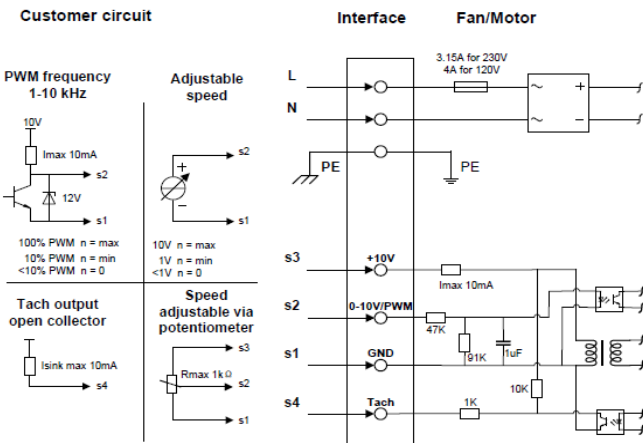
	n (rpm)	P1 (W)	I (A)	η (%)	P (Pa)	P (InH <sub>2</sub> O)	Q (CMH)	Q (CFM)
①	4520	61	0.52	—	0	0	301	177
②	4520	65	0.55	13.9	128	0.51	256	151
③	4520	64	0.54	23.3	282	1.13	190	112
④	4520	55	0.47	19.2	366	1.47	104	61
⑤	4130	50	0.44	—	0	0	274	162
⑥	4140	55	0.48	17.3	164	0.66	207	122
⑦	4150	51	0.46	21.8	256	1.03	157	92
⑧	4120	45	0.40	17.1	308	1.24	89	53
⑨	3650	40	0.36	—	0	0	241	142
⑩	3660	43	0.39	14.9	123	0.50	187	110
⑪	3670	40	0.36	18.9	209	0.84	131	77
⑫	3670	37	0.34	13.9	247	0.99	75	44
⑬	2650	25	0.24	—	0	0	172	101
⑭	2660	25	0.25	5.1	31	0.12	149	88
⑮	2660	25	0.25	11.4	91	0.37	115	67
⑯	2660	23	0.23	8.3	128	0.52	55	32

# 133mm Plastic Backward Centrifugal Fan

## Drawing:

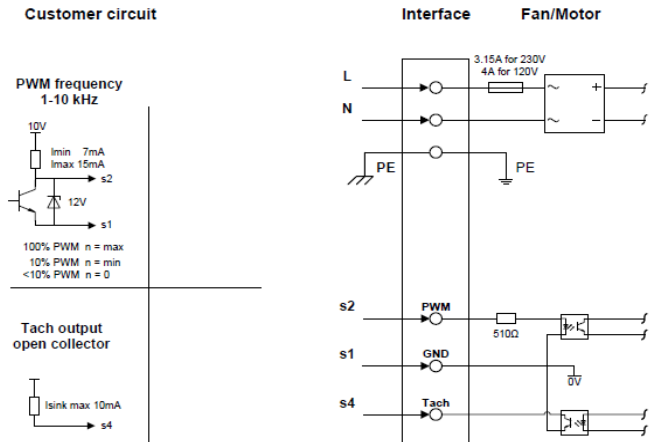


## Diagram:



No.	DESIGNATION	COLOR	POWER SUPPLY	ASSIGNMENT
1	L	BROWN		POWER SUPPLY
2	N	BLUE		NEUTRAL
3	PE	GREEN/YELLOW		GROUND CONNECTION
4	GND	BLACK		GND CONNECTION FOR CONTROL INTERFACE, SELV
5	PWM/0-10V	YELLOW		CONTROL INPUT PWM/0-10V, SELV
6	TACH	WHITE		TACH OUT, SELV
7	+10V	RED		VOLTAGE OUTPUT 10 VDC, SELV

PWM/0-10V



NO.	DESIGNATION	COLOR	POWER SUPPLY	ASSIGNMENT
1	L	BROWN		POWER SUPPLY
2	N	BLUE		NEUTRAL
3	PE	GREEN/YELLOW		GROUND CONNECTION
4	GND	BLACK		GND CONNECTION FOR CONTROL INTERFACE, SELV
5	PWM	YELLOW		CONTROL INPUT PWM, SELV
6	TACH	WHITE		TACH OUT, SELV

PWM