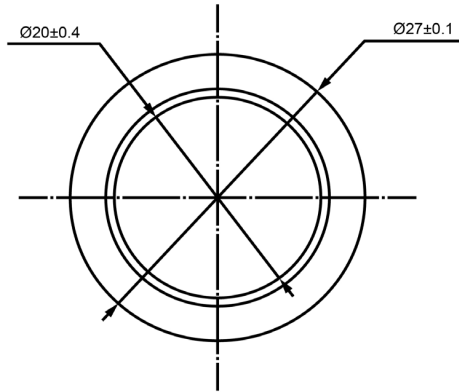
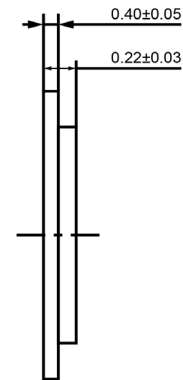


TOP VIEW



SIDE VIEW



Specifications		
Description	Value	Unit
Resonant Frequency	4,000	(Hz)
Resonant Impedance (Max)	200	(Ohm)
Max Input Voltage	30	(V)
Capacitance	28,000	(pF)
Plate Material	Brass	
Operating Temperature	-20 ~ +60	°C
Storage Temperature	-20 ~ +70	°C

Notes	
1) All dimensions are in mm unless otherwise noted 2) All parts meet RoHS	

DB UNLIMITED

Revision History					
Version	Description	Date	Approved		
1	Released from Engineering	10/21/2013	J.S		
Drawn by	Date	Checked by	Date	Approved by	Date
A.B.	10/21/2013	C.E.	10/21/2013	J.S	10/21/2013

Piezo Bender

P27040-2

Additional considerations can be found at www.dbunlimitedco.com/technical-articles.