

60940-1 ✓ ACTIVE

AMP-IN

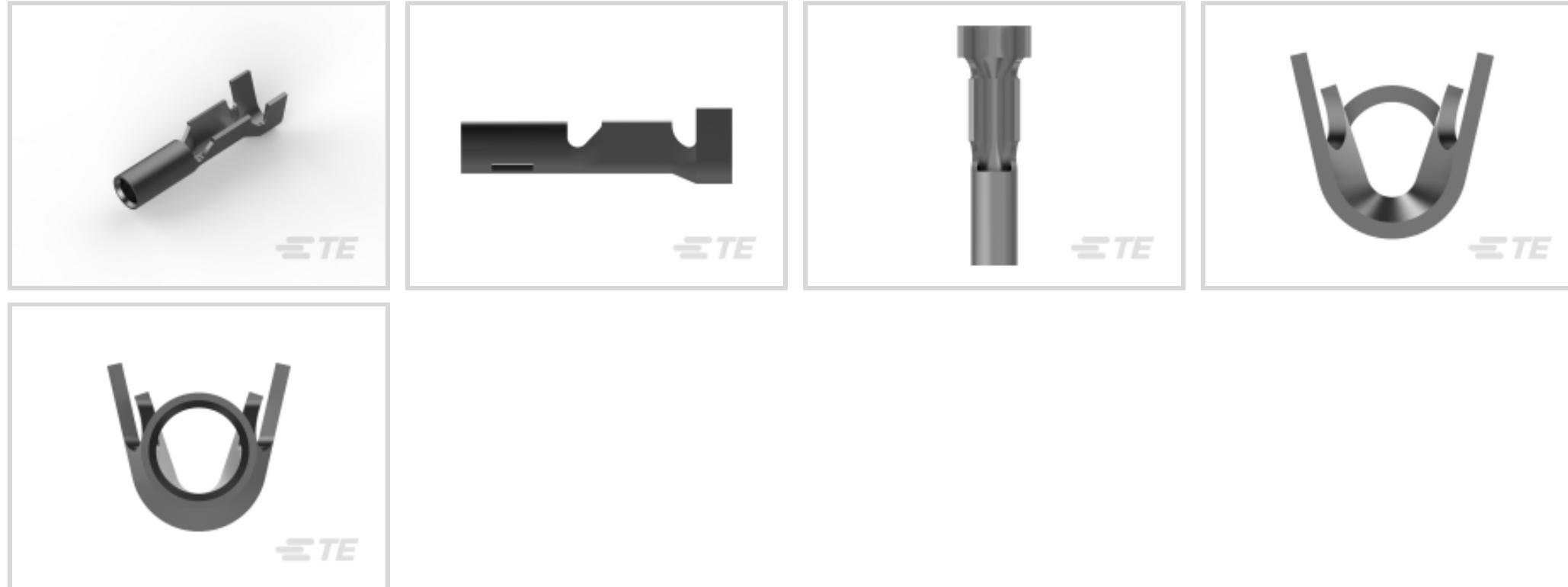
TE Internal #: 60940-1

Receptacle, PCB Hole Diameter 3.1 mm [.122 in], 24 – 20 AWG Wire Size, .2 – .6 mm² Wire Size, Through Hole - Solder, Pre-Tin Plating, PCB Terminals

[View on TE.com >](#)



Terminals & Splices > PCB Terminals



PCB Terminal Type: **Receptacle**

PCB Hole Diameter: **3.1 mm [.122 in]**

Mating Pin Diameter: **1.47 mm [.058 in]**

Compatible Insulation Diameter (Max): **2.29 mm [.09 in]**

Compatible Insulation Diameter Range: **1.52 – 2.29 mm [.06 – .09 in]**

Features

Product Type Features

| | |
|-------------------|-----------|
| Terminal Features | Stud Hole |
|-------------------|-----------|

Contact Features

| | |
|---------------------------|-------------------|
| PCB Terminal Type | Receptacle |
| Mating Pin Diameter | 1.47 mm [.058 in] |
| Terminal Plating Material | Pre-Tin |
| Terminal Orientation | Straight |

Termination Features

| | |
|---------------------------|-----------------------|
| Termination Method to PCB | Through Hole - Solder |
| Product Terminates To | Wire & Cable |

Mechanical Attachment

| | |
|-------------------------|------|
| Wire Insulation Support | With |
|-------------------------|------|

Dimensions

| | |
|-----------------------------|-----------------|
| Terminal Material Thickness | .25 mm [.01 in] |
|-----------------------------|-----------------|



| | |
|--------------------------------------|-------------------------------|
| PCB Hole Diameter | 3.1 mm [.122 in] |
| Compatible Insulation Diameter (Max) | 2.29 mm [.09 in] |
| Compatible Insulation Diameter Range | 1.52 – 2.29 mm [.06 – .09 in] |
| Wire Size | .2 – .6 mm ² |

Usage Conditions

| | |
|-----------------------------|-----------------------------|
| Insulation Option | Uninsulated |
| Operating Temperature Range | -55 – 105 °C [-67 – 221 °F] |

Packaging Features

| | |
|--------------------|-------|
| Packaging Quantity | 12000 |
| Packaging Method | Box |

Product Compliance

[For compliance documentation, visit the product page on TE.com>](#)

| | |
|---|---|
| EU RoHS Directive 2011/65/EU | Compliant |
| EU ELV Directive 2000/53/EC | Compliant |
| China RoHS 2 Directive MIIT Order No 32, 2016 | No Restricted Materials Above Threshold |
| EU REACH Regulation (EC) No. 1907/2006 | Current ECHA Candidate List: JUNE 2024 (241) Candidate List Declared Against: JUNE 2024 (241) Does not contain REACH SVHC |
| Halogen Content | Low Halogen - Br, Cl, F, I < 900 ppm per homogenous material. Also BFR/CFR/PVC Free |
| Solder Process Capability | Not applicable for solder process capability |

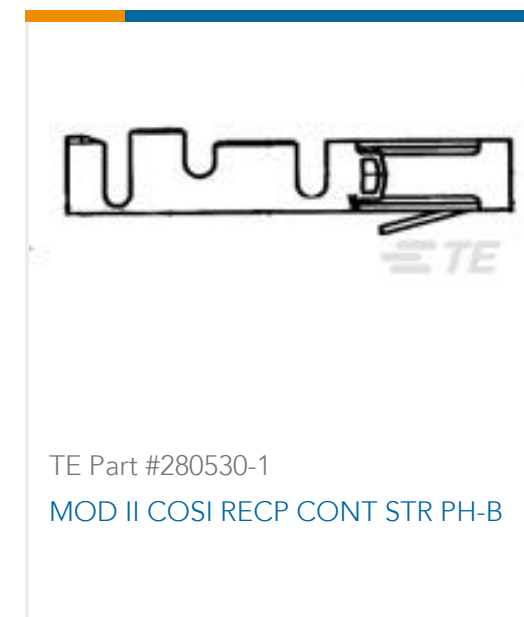
Product Compliance Disclaimer

This information is provided based on reasonable inquiry of our suppliers and represents our current actual knowledge based on the information they provided. This information is subject to change. The part numbers that TE has identified as EU RoHS compliant have a maximum concentration of 0.1% by weight in homogenous materials for lead, hexavalent chromium, mercury, PBB, PBDE, DBP, BBP, DEHP, DIBP, and 0.01% for cadmium, or qualify for an exemption to these limits as defined in the Annexes of Directive 2011/65/EU (RoHS2). Finished electrical and electronic equipment products will be CE marked as required by Directive 2011/65/EU. Components may not be CE marked. Additionally, the part numbers that TE has identified as EU ELV compliant have a maximum concentration of 0.1% by weight in homogenous materials for lead, hexavalent chromium, and mercury, and 0.01% for cadmium, or qualify for an exemption to these limits as defined in the Annexes of Directive 2000/53/EC (ELV). Regarding the REACH Regulation, the information TE provides on SVHC in articles for this part number is based on the latest European Chemicals Agency (ECHA) 'Guidance on requirements for substances in articles' posted at this URL: <https://echa.europa.eu/guidance-documents/guidance-on-reach>

Compatible Parts



Customers Also Bought



Documents



Product Drawings

[.058 PIN REC 24-20 010PTPPHBZ](#)

English

CAD Files

Customer View Model

[ENG_CVM_60940-1_F.3d_igs.zip](#)

English

Customer View Model

[ENG_CVM_60940-1_F.3d_stp.zip](#)

English

Customer View Model

[ENG_CVM_60940-1_F.2d_dxf.zip](#)

English

[3D PDF](#)

English

[3D PDF](#)

3D

Customer View Model

[ENG_CVM_CVM_60940-1_K.2d_dxf.zip](#)

English

Customer View Model

[ENG_CVM_CVM_60940-1_K.3d_igs.zip](#)

English

Customer View Model

[ENG_CVM_CVM_60940-1_K.3d_stp.zip](#)

English

By downloading the CAD file I accept and agree to the [Terms and Conditions](#) of use.

Datasheets & Catalog Pages

[PRINTED CIRCUIT BOARD TERMINALS AND DISCONNECTS](#)

English

Product Specifications

[Application Specification](#)

English

Instruction Sheets

[Application and Maintenance for Hand Crimping Tool](#)

English

[Instruction Sheet \(U.S.\)](#)

English