

Header Technologies Selected for the Distribution Channel



DELPHI

Innovation for the Real World

Meeting USCAR Standards

Delphi's standard 064 series unsealed header connectors are USCAR* compliant. These products:

- meet USCAR design guidelines (per SAE/USCAR-12 Revision 2, December 2001)
- meet the published USCAR interface footprints
- are validated to USCAR specifications (per SAE/USCAR-2 Revision 3, April 2001)

**USCAR is the United States Council for Automotive Research.*

Typical Applications

Delphi's header products can be used in the automotive and transportation markets. They are suitable for device, in-line and board-to-wire applications in the following:

- Satellite radios
- Infotainment devices
- Automotive body modules and systems
- HVAC systems
- Electronic Control Unit
- Harsh environment

Tooling

All components in this catalog can be supplied from low volume tooling, many of which are available from high volume production tooling as well. PPAP certification can be supplied for low volume production intent tooling if requested.

Mating Connectors

Delphi also offers a complete line of :

- 064 series female mating connectors
- SICMA series female mating connectors
- CMC series female mating connectors

About Delphi

Delphi Automotive PLC (NYSE: DPH) is a leading global supplier of technologies for the automotive and commercial vehicle markets. Headquartered in Gillingham, England, Delphi operates major technical centers, manufacturing sites and customer support services in 32 countries, with regional headquarters in Bascharage, Luxembourg; São Paulo, Brazil; Shanghai, China and Troy, Michigan, U.S. Delphi delivers innovation for the real world with technologies that make cars and trucks safer as well as more powerful, efficient and connected. Visit www.delphi.com



CMC Series

CMC (Connecteur Modulaire pour Calculateur) is one of the most popular interfaces for Engine Management Electronic Control Units.

Very compact size, high density connectors.

Sealed connectors for Electronic Control Units application and suitable for harsh environment.

SICMA Series

Headers for sealed applications in harsh environment with robust design with 1,5 mm signal terminals and 2,8 mm power terminal.

Proven field experience for more than 10 years.

Table of contents

6w Header sealed - SICMA series	4
8w Header unsealed – 0.64 series	5
24w Header - SICMA series	6-7
30w Header unsealed – Mixed series	8-9
32w Header - CMC series	10-11
48w & 64w Header - CMC series	12
56w Header sealed - SICMA series	13
90w Header sealed - SICMA series	14
112w Header - CMC series	15-16
154w Header sealed – Mixed series	17-18
Dimensions	19-31
Cross Reference	32

Sicma Series – Sealed harsh environment

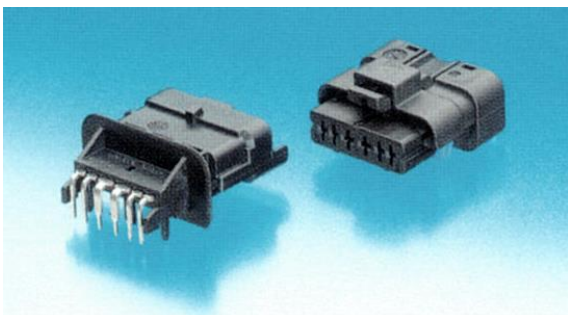
One-Row 6w Header

Header Part number:

DPN	Type of connector	Polarization	Configuration
F159000	6w	BLACK	Right angled male housing

Header:

Description:	6w Header
N. Of row	1
Pitch between rows	-
Terminals	1.5mm & 2.8mm Sicma
Sealing protection	IP68
Temperature range	-40°C to +105°C
TPA	Integrated secondary lock device allowing detection of terminals Electrical parking brake, clutchless gear box controller, liquified Petrol Gas controller, Engine management electronic control unit
Application:	



Mating connector Part number:

DPN	Type of connector	Polarization
211PC069S0149	6w female sealed	BLACK

Mating Connector:

Description:	6 Way Female sealed SICMA Generation 1
Status:	Active
Family:	Mixed
Series:	Sicma 1.5 / 2.8
Cavities:	6
Sealed:	Sealed
Gender:	Female
Temperature range [°C]:	-40 to +125
Material:	PBT
Weight [g]:	12.072
Color:	Black
Application:	Inline (Wire to Wire)

Terminals:

DPN	Description
211CC3S1160	Terminal Sicma-3 Female 2.8 mm
211CC2S2460P	Terminal Sicma-3Plus Female 1.5 mm
211CC2S1190P	Terminal Sicma -3Plus Female 1.5 mm
211CC2S1460P	Terminal Sicma-3Plus Female 1.5 mm
211CC2S4190P	Terminal Sicma -3PlusFemale 1.5 mm
211CC3S2460	Terminal Sicma-3 Female 2.8 mm
211CC3S1460	Terminal Sicma-3 Female 2.8 mm
211CC2S1160P	Terminal Sicma-3Plus Female 1.5 mm
211CC2S2190P	Terminal Sicma-3Plus Female 1.5 mm
211CC3S2160	Terminal Sicma-3 Female 2.8 mm
211CC2S2160P	Terminal Sicma-3Plus Female 1.5 mm

064 Series Header

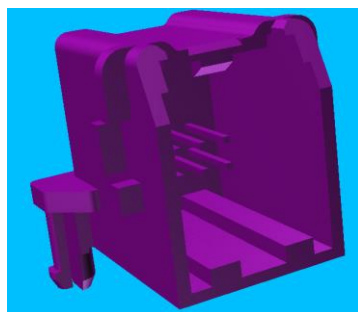
Two-Row – Single Module 8-way Unsealed - Right Angle

Header Part number:

DPN	Type of connector	Polarization
15420151	8w Micro unsealed	GRAY

Header:

Description:	8 Way Gray Micro Unsealed
Max Current	7 amps
Product Type:	Connector
Status:	Active
Family:	Micro
Cavities:	8
Terminal(s) blade size [mm]:	0.64
Sealed:	Unsealed
Gender:	Male + Male
Temperature range [°C]:	-40 to 125
Material:	High Temperature Nylon
Weight [g]:	4.77
Remarks:	USCAR spec. Number 064-U-008-2-B02
Application:	Infotainment and BCM



Mating connector Part number:

DPN	Type of connector	Polarization
13782038	8w female unsealed	GRAY

Mating Connector:

Description:	8 Way Light Gray Unsealed Female Connector
Product Type:	Connector
Status:	Active
Family:	OCS
Series:	0.64 Index Up Rear
Cavities:	8
Terminal(s) blade size [mm]:	0.64
Sealed:	Unsealed
Gender:	Female
Material:	Various (Assembly)
Weight [g]:	3.5
ELV compliant:	Yes
RoHs compliant:	Yes
Application:	Module - Parking Sensors, Switch - Window



Terminals:

DPN	Description
13767046	Terminal OCS 0.64 IUR Female Unsealed Tin Plating Terminal, Cable Range 0.80 - 0.80 mm2
13767047	Terminal OCS 0.64 IUR Female Unsealed Tin Plating Terminal, Cable Range 0.35 - 0.50 mm2
13767048	Terminal OCS 0.64 IUR Female Unsealed Tin Plating Terminal, Cable Range 0.13 - 0.22 mm2

Sicma Series – ECU & DTB

24w Header

1/2

Header:

Product name:	DTB 24 Way Male
Family	
Sealing Level	S2 / S1
Meating Force	≤ 70N
Temp. range	T2 (- 40°C + 100°C)
Vibration class	V1
Tpa (yes/Not)	Yes
Cpa (yes/Not)	No

Male housing Unsealed:

DPN	Type of connector	Note	Polarization
211PL249S0023	24w PBT	-	BLACK
211PL249S8020	24w PBT	-	GRAY
HCCMHPE24BKAF	24w PBT	REAR DTB	BLACK

Male housing Sealed:

DPN	Type of connector	Polarization
211PL249S0033	24w PBT	BLACK
211PL249S1033	24w PBT	BROWN
211PL249S6033	24w PBT	BLUE
211PL249S8033	24w PBT	GRAY

Pin Header Male housing

DPN	Type of connector	Polarization
HCCMHPE24BKA00F	24w PBT	BLACK
HCCMHPE24BKA90F	24w Pin-Header	BLACK
HCCMHPE24GYB90F	24w Pin-Header	GRAY
HCCMHPE24BNC90F	24w Pin-Header	BROWN



Sicma Series – ECU & DTB

24w Header

2/2

Mating Connector:

Product name:	DTB24 Way Female
Family	
Sealing Level	S2 / S1
Meating Force	≤ 70N
Temp. range	T2 (- 40°C + 100°C)
Vibration class	V1
Tpa (yes/Not)	Yes
Cpa (yes/Not)	No

Female housing Sealed:

DPN	Type of connector	Note	Polarization
211PC249S1033	24w PBT	No Slide	BROWN
211PC249S8033	24w PBT	No Slide	GRAY
211PC249S0033	24w PBT	No Slide	BLACK
211PC249S6033	24w PBT	No Slide	BLUE

Female housing Unsealed:

DPN	Type of connector	Note	Polarization
211PC249S0020	24w PBT	No Slide	BLACK
211PC249S1020	24w PBT	No Slide	GRAY
211PC249S8020	24w PBT	No Slide	BLACK

Locking cam:

DPN	Description
211A247020	Locking cam

Locking cam:

DPN	Description
211CC3S1160	Terminal Sicma-3 Female 2.8 mm
211CC2S2460P	Terminal Sicma-3Plus Female 1.5 mm
211CC2S1190P	Terminal Sicma -3Plus Female 1.5 mm
211CC2S1460P	Terminal Sicma-3Plus Female 1.5 mm
211CC2S4190P	Terminal Sicma -3PlusFemale 1.5 mm
211CC3S2460	Terminal Sicma-3 Female 2.8 mm
211CC3S1460	Terminal Sicma-3 Female 2.8 mm
211CC2S1160P	Terminal Sicma-3Plus Female 1.5 mm
211CC2S2190P	Terminal Sicma-3Plus Female 1.5 mm
211CC3S2160	Terminal Sicma-3 Female 2.8 mm
211CC2S2160P	Terminal Sicma-3Plus Female 1.5 mm



Mixed Series – Radio Header

1/2

Two-Rows – Combination Module 30w Unsealed - Right Angle

Header Part number:

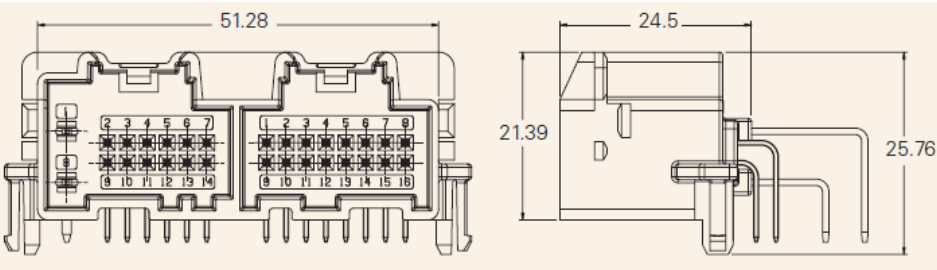
DPN	Type of connector	Polarization
09402549	30w Micro 64 unsealed	BLACK

Header:

Description:	30 Way Black Micro 64 USCAR 120 Male
Product Type:	Connector
Status:	Active
Family:	Mixed
Series:	Mixed
Cavities:	30
Terminal(s) blade size [mm]:	0.64, 1.2
Sealed:	Unsealed
Gender:	Male
Material:	PBT
Weight [g]:	13.21
Color:	Black
Application:	Inline (Wire to Wire) - Infotainment and BCM

Terminals for DPN 15464951:

DPN	Description
12191134	Female GT 280 Series Tin Plating Unsealed Terminal, Cable Range 0.50 - 0.50 mm ²
15356826	Female Micro 0.64 Gold Plating Unsealed Terminal, Cable Range 0.35 - 0.35 mm ²
15304710	Female GT 280 Series Tin Plating Unsealed Terminal, Cable Range 0.35 - 0.50 mm ²
15304711	Female GT 280 Series Tin Plating Unsealed Terminal, Cable Range 0.75 - 1.00 mm ²
15427675	Female GT 280 Series Tin Plating Unsealed Terminal, Cable Range 0.35 - 0.50 mm ²
12191133	Female GT 280 Series Tin Plating Unsealed Terminal, Cable Range 0.35 - 0.35 mm ²
15359541	Female Micro 0.64 Gold Plating Unsealed Terminal, Cable Range 0.50 - 0.80 mm ²
15401440	Female Micro 0.64 Tin Plating Unsealed Terminal, Cable Range 0.50 - 0.80 mm ²
15394147	Female Micro 0.64 Tin Plating Unsealed Terminal, Cable Range 0.35 - 0.35 mm ²
12191135	Female GT 280 Series Tin Plating Unsealed Terminal, Cable Range 0.80 - 0.80 mm ²
15356827	Female Micro 0.64 Gold Plating Unsealed Terminal, Cable Range 0.50 - 0.80 mm ²
15304713	Female GT 280 Series Tin Plating Unsealed Terminal, Cable Range 4.00 - 5.00 mm ²
15304712	Female GT 280 Series Tin Plating Unsealed Terminal, Cable Range 1.50 - 3.00 mm ²



Mixed Series – Radio Header

2/2

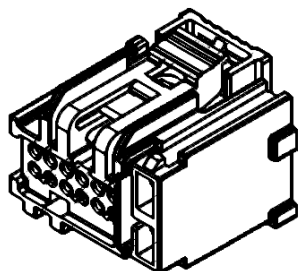
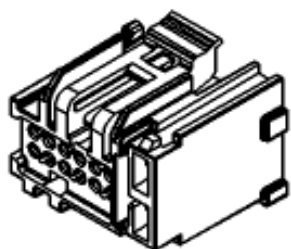
Two-Rows – Combination Module 30w Unsealed - Right Angle

16w connector Part number:

DPN	Type of connector	Polarization
15486792	16w female unsealed Micro HVT	BLACK

Mating connectors:

Description:	16 Way Black Micro HVT Unsealed Female
Product Type:	Connector
Status:	Active
Family:	Micro HVT
Cavities:	16
Terminal(s) blade size [mm]:	1.2
Sealed:	Unsealed
Material:	PBT
Weight [g]:	4.67
Color:	Black
ELV compliant:	Yes
RoHs compliant:	Yes
Application:	Radio, Mirror, Amplifier, Module - A/C, Switch - Headlamp, Display - Multimedia



14w connector Part number:

DPN	Type of connector	Polarization
15464951	14w female unsealed GT 150	BLACK

Description:	14 Way Black GT150 Micro 64 Unsealed Female
Product Type:	Connector
Status:	Active
Family:	Mixed
Series:	Mixed
Cavities:	14
Terminal(s) blade size [mm]:	0.64, 2.8
Sealed:	Unsealed
Gender:	Female
Material:	PBT
Weight [g]:	4.82
Color:	Black

Terminals for DPN 15486792:

DPN	Description
15445905	Female Micro HVT Tin Plating Unsealed Terminal, Cable Range 0.75 - 0.75 mm2
15445904	Female Micro HVT Tin Plating Unsealed Terminal, Cable Range 0.35 - 0.50 mm2
15477038	Lock LOCK CPA MICRO 64 RED
13733783	Female Micro HVT Tin Plating Unsealed Terminal, Cable Range 0.13 - 0.22 mm2

CMC Series – ECU

32w Header

1/2

Header Part number:

DPN	Type of connector	Polarization
F670000	32w	BLUE
F270000	32w	BLACK

Header:

Description: 32w Header
 Sealing protection: IPx9K/IP68
 Terminals: 24x 0,64mm & 8x 1,50mm
 Temperature range: -40°C to +125°C
 Terminal retention force: > 100N
 Terminal insertion force: < 10N
 Temperature range [°C]: -40 to +125
 Connector mating force: < 60N
 N. of mechanical coding: 4



32w connector- blue right lever - Part number:

DPN	Type of connector	Polarization
15464951	14w female unsealed GT 150	BLACK

Mating connector:

Description: 32 Way CMC female sealed blue right lever
 Status: Active
 Family: GTS
 Series: Mixed
 Cavities: 32
 Temperature range [°C]: -40 to +125
 Material: PBT

Cover Part number:

DPN	Description
PPI0001522	CMC 32 Way Wire dress cover for Housing

Terminals:

DPN	Type of terminal	tab size (mm²)	Plating	Note
PPI0001619	0,64	0,22 - 0,35	pre tinned	for sleeve see table
PPI0000489	0,64	0,5	pre tinned	for sleeve see table
PPI0001483	1,5	1	pre tinned	for sleeve see table
PPI0001484	1,5	1,5	pre tinned	for sleeve see table

CMC Series – ECU

32w Header

2/2

32w connector- black left lever - Part number:

DPN	Type of connector	Polarization
PPI0001487	32w female sealed CMC	BLACK

Mating connector:

Description: 32 Way CMC female Housing sealed black left lever
Status: Active
Family: GTS
Series: Mixed
Cavities: 32
Terminal(s) blade
size [mm]: 0.64, 1.5
Temperature range [°C]: -40 to +125
Material: PBT

32w connector- black right lever - Part number:

DPN	Type of connector	Polarization
PPI0001488	32w female sealed CMC	BLACK

Mating connector:

Description: 32 Way CMC female Housing sealed black right lever
Status: Active
Family: GTS
Series: Mixed
Cavities: 32
Terminal(s) blade
size [mm]: 0.64, 1.5
Temperature range [°C]: -40 to +125
Material: PBT

CMC Series - ECU

48w & 64w PinHeader

Header Part number:

DPN	Type of connector	Polar.	Configuration
17464807	48w	BLACK	tab: N° 8 pin da 1,5 + 40 pin da 0,64
F015300	64w	BLACK	tab: N° 8 pin da 1,5 + 56 pin da 0,64

Header:

Product name:	48w & 64w PinHeader
Sealing Level	S2 - S3
Mating Force	≤ 75N
Temp. range	T3 (-40 / +125°C)
Vibration class	V2
Tpa (yes/Not)	Yes
Cpa (yes/Not)	--
Note:	BODY SOLDERING REFLOW VERSION

Cover Part number:

DPN	Description
PPI0001522	CMC 32 Way Wire dress cover for Housing

Terminals:

DPN	Type of terminal	tab size (mm ²)	Plating	Note
PPI0001619	0,64	0,22 - 0,35	pre tinned	for sleeve see table
PPI0000489	0,64	0,5	pre tinned	for sleeve see table
PPI0001483	1,5	1	pre tinned	for sleeve see table
PPI0001484	1,5	1,5	pre tinned	for sleeve see table

Mating connector Part number:

DPN	Type	Polar.	LEVER	Configuration
PPI00001494	48w	BLACK	Black left	Body + TPA + Lever + Mating seal + Peripher. seal
PPI00001495	48w	BLACK	Black right	Body + TPA + Lever + Mating seal + Peripher. seal
PPI0001500	64w	BLACK	Black left	Body + TPA + Lever + Mating seal + Peripher. seal
PPI0001501	64w	BLACK	Black right	Body + TPA + Lever + Mating seal + Peripher. seal
PPI0001485	Plug	--	--	White dummy for 0,64 cavity
PPI0001486	Plug	--	--	Blue dummy for 1,5 cavity
F418400	Tube sleeve	--	--	See Sleeve table

Mating connector:

Product name:	48w & 64w Female Sealed Connector
Sealing Level	S2 - S3
Mating Force	≤ 75N
Temp. range	T3 (-40 / +125°C)
Vibration class	V2
Tpa (yes/Not)	yes
Cpa (yes/Not)	--



Sicma Series – Sealed harsh environment

Two-Rows 56w Header

Header Part number:

DPN	Type of connector	Polar.	Configuration
F135200	56w	BLACK	Right angled male hosing

Header:

Description: 56w Header
 N. Of row: 2
 Pitch between rows: 6mm
 Sealing protection: IP68
 Terminals: 1.5mm Sicma
 Temperature range: -40°C to +125°C
 TPA: Integrated secondary lock device allowing detection of terminals
 Application: Electrical parking brake, clutchless gear box controller, liquified Petrol Gas controller, Engine management electronic control unit

Terminals

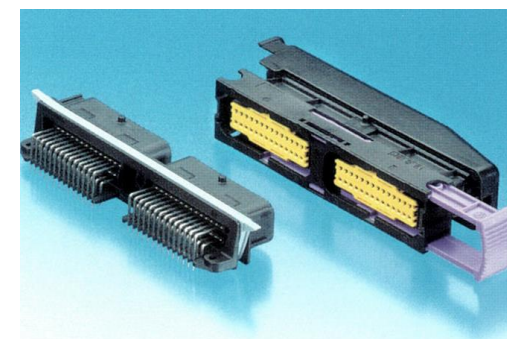
DPN	Description
211CC2S2160P	Sicma-3Plus Female 1.5 mm Terminal
211CC2S4190P	Sicma-3Plus Female 1.5 mm Terminal
211CC2S1190P	Sicma-3Plus Female 1.5 mm Terminal
211CC2S1460P	Sicma-3Plus Female 1.5 mm Terminal
211CC2S2460P	Sicma-3Plus Female 1.5 mm Terminal
211CC2S2190P	Sicma-3Plus Female 1.5 mm Terminal

Mating connector Part number:

DPN	Type of connector	Polarization
PPI0001258	56w female sealed SICMA	BLACK

Mating connector:

Description: 56 Way 1.5 mm SICMA sealed Female Housing
 Product Type: Connector
 Status: Active
 Family: Sicma
 Series: 1.5
 Cavities: 56
 Sealed: Sealed
 Gender: Female
 Temperature range [°C]: -40 to +125
 Material: PBT
 Weight [g]: 88.28
 Color: Black



Sicma Series – Sealed harsh environment

Three-Rows 90w Header

Header Part number:

DPN	Type of connector	Polar.	Configuration
33508365	90w	BLACK	Straight male hosing

Header:

Description:	90w Header
N. Of row:	3
Pitch between rows:	6mm
Sealing protection:	IP68
Terminals:	1.5mm Sicma
Temperature range:	-40°C to +125°C
TPA:	Integrated secondary lock device allowing detection of terminals
Application:	Electrical parking brake, clutchless gear box controller, liquified Petrol Gas controller, Engine management, electronic control unit

Terminals

DPN	Description
211CC2S2160P	Sicma-3Plus Female 1.5 mm Terminal
211CC2S4190P	Sicma-3Plus Female 1.5 mm Terminal
211CC2S1190P	Sicma-3Plus Female 1.5 mm Terminal
211CC2S1460P	Sicma-3Plus Female 1.5 mm Terminal
211CC2S2460P	Sicma-3Plus Female 1.5 mm Terminal
211CC2S2190P	Sicma-3Plus Female 1.5 mm Terminal

Mating connector Part number:

DPN	Type of connector	Polarization
211PC902S0009	90w female sealed SICMA	BLACK

Mating connector:

Description:	90 Ways Female SICMA I/O Connector system
Product Type:	Connector
Status:	Active
Family:	Sicma
Series:	1.5
Cavities:	90
Sealed:	Sealed
Gender:	Female
Temperature range [°C]:	-40 to +125
Material:	PBT



CMC Series – ECU

112w Header

1/2

Header Part number:

DPN	Type of connector	Polarization
1746B207M	112w	BLACK
1746B207E	112w	BLACK

Header:

Product name:	112w Header
Sealing protection:	IPx9K/IP68
Terminals:	88x 0,64mm & 24x 1,50mm
Temperature range:	-40°C to +125°C
Terminal retention force:	> 100N
Terminal insertion force:	< 10N
Connector mating force:	< 60N

Cover Part number:

DPN	Description
PPI0001522	CMC 32 Way Wire dress cover for Housing

Terminals:

DPN	Type of terminal	tab size (mm ²)	Plating	Note
PPI0001619	0,64	0,22 - 0,35	pre tinned	for sleeve see table
PPI0000489	0,64	0,5	pre tinned	for sleeve see table
PPI0001483	1,5	1	pre tinned	for sleeve see table
PPI0001484	1,5	1,5	pre tinned	for sleeve see table

Mating connector Part number:

DPN	Type of connector	Polarization
PPI0001487	32w female sealed CMC	BLACK

Mating connector:

Description:	32 Way CMC female sealed black left lever
Status:	Active
Family:	GTS
Series:	Mixed
Cavities:	32
Temperature range [°C]:	-40 to +125
Material:	PBT



CMC Series – ECU

112w Header

2/2

48w connector- brown left lever - Part number:

DPN	Type of connector	Polarization
F765000	48w female sealed CMC	BROWN

Mating connector:

Description: 48 Way CMC female sealed brown left lever
Status: Active
Family: GTS
Series: Mixed
Cavities: 48
Temperature range [°C]: -40 to +125
Material: PBT

32w connector- gray right lever - Part number:

DPN	Type of connector	Polarization
PPI0001489	32w female sealed CMC	GRAY

Mating connector:

Description: 32 Way CMC female sealed gray keyWay right lever
Status: Active
Family: GTS
Series: Mixed
Cavities: 32
Temperature range [°C]: -40 to +125
Material: PBT

Mixed Series – ECU

1/2

Five-Rows – Combination Module 154 Way Black Sealed Male

Header Part number:

DPN	Type of connector	Polarization
13830808	154w	BLACK

Header:

Description:	154 Way Black 1.2 2.8 Sealed Male Connector
Status:	Active
Family:	Mixed
Series:	Mixed
Cavities:	154
Weight [g]:	124.2
Color:	Black
ELV compliant:	Yes
RoHs compliant:	Yes
Application:	Engine Control Unit, major for diesel application

Cover Part number:

DPN	Description
15494581	58 Way cover

Terminals

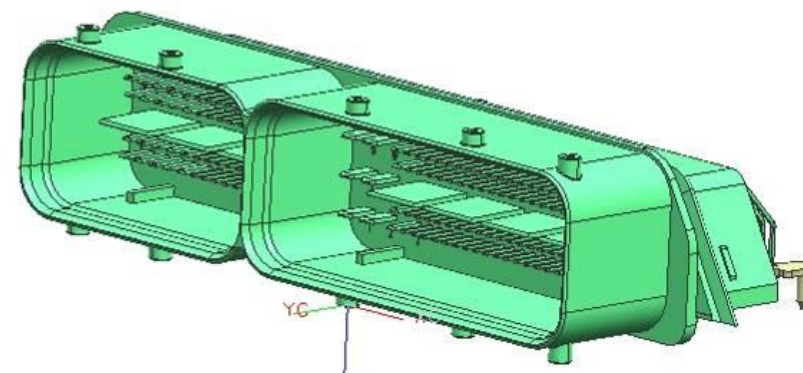
DPN	Description
13543114	OCS 1.2 clean body Tin/Silver 0,35 – 0,50
13543115	OCS 1.2 clean body 1.2 Tin/Silver 0,75 – 0,80
13543116	OCS 1.2 clean body 1.2 Tin/Silver 0,80 – 1,00
15494338	(2pcs terminal) BTS sws 2.8 Sn 0,35 – 0,50
15494339	(2pcs terminal) BTS sws 2.8 Sn 0,60 – 1,00
15494340	(2pcs terminal) BTS sws 2.8 Sn 1,40 – 2,50
211CC3S1161	(1pc terminal) Sicma3 sws 2.8 Sn 0,35 – 0,50
211CC3S2161	(1pc terminal) Sicma3 sws 2.8 Sn 1,00 – 2,50

58w connector Part number:

DPN	Type of connector	Polarization
13535331	58w female sealed	GRAY

Mating connector:

Description:	58 Way Gray 1.2 BTS 2.8 Sealed Female Connector
Status:	Active
Family:	Mixed
Series:	Mixed
Cavities:	58
Weight [g]:	40.05
Color:	Gray
ELV compliant:	Yes
RoHs compliant:	Yes



Mixed Series – ECU

2/2

Five-Rows – Combination Module 154 Way Black Sealed Male

Cover Part number:

DPN	Description
15494581	58 Way cover

Locking comb Part number:

DPN	Description
15494573	Locking comb

PLR cover Part number:

DPN	Description
15494575	PLR cover



96w connector Part number:

DPN	Type of connector	Polarization
13535335	96w female sealed	GRAY

Header:

Description:	96way Gray 1.2 MCP Sealed Female Connector
Status:	Active
Family:	1.2
Series:	MCP
Cavities:	96
Weight [g]:	52.96
Color:	Gray
ELV compliant:	Yes
RoHs compliant:	Yes

Cover Part number:

DPN	Description
15494614	96 Way cover

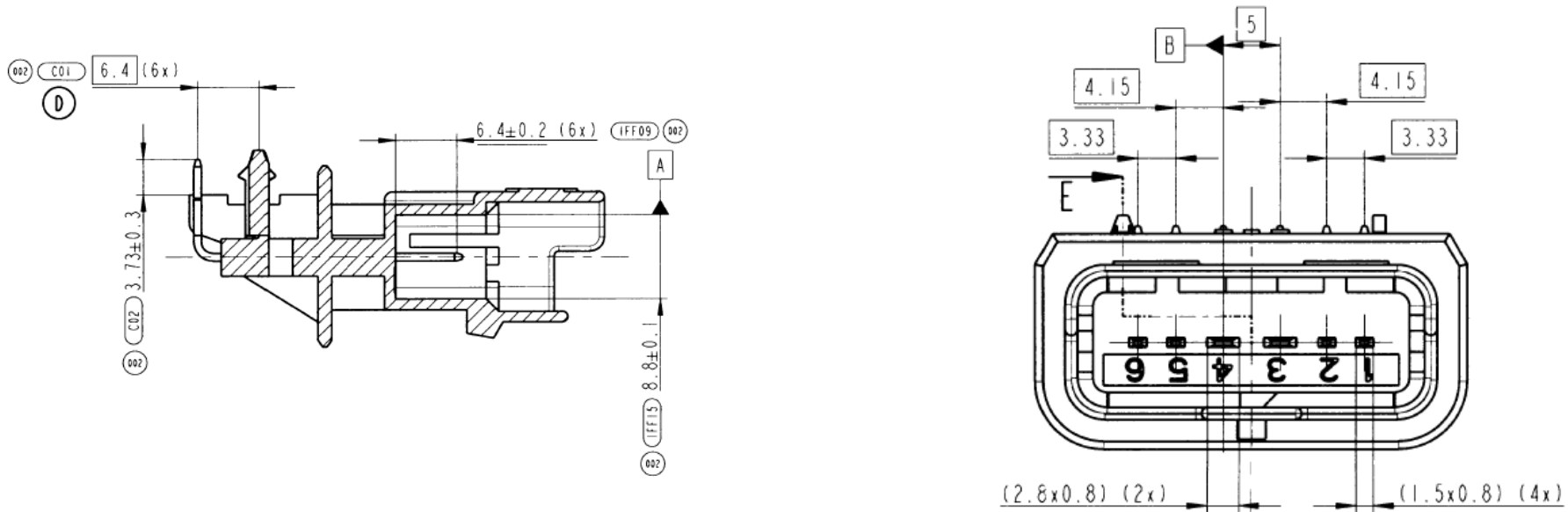
Locking comb Part number:

DPN	Description
15494608	Locking comb

Dimensions

Shown in millimeters.

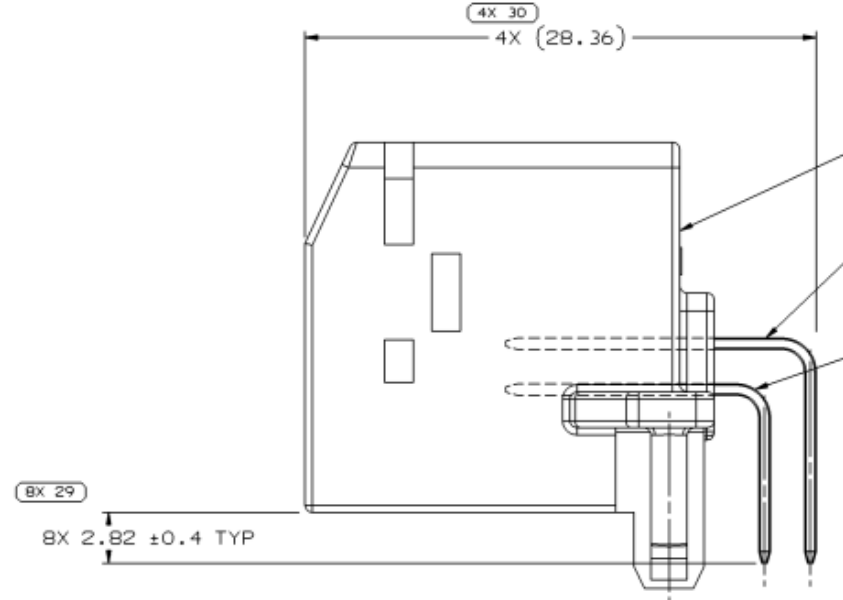
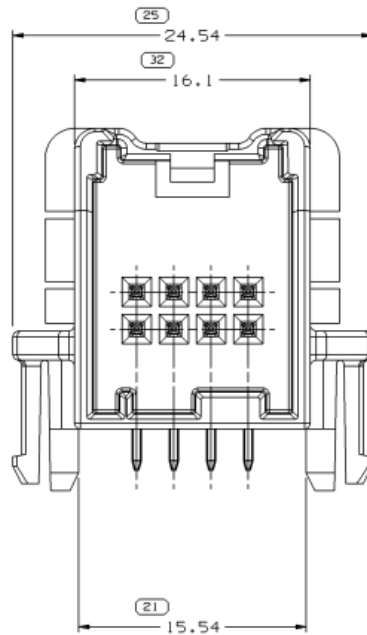
6w Header



Dimensions

Shown in millimeters.

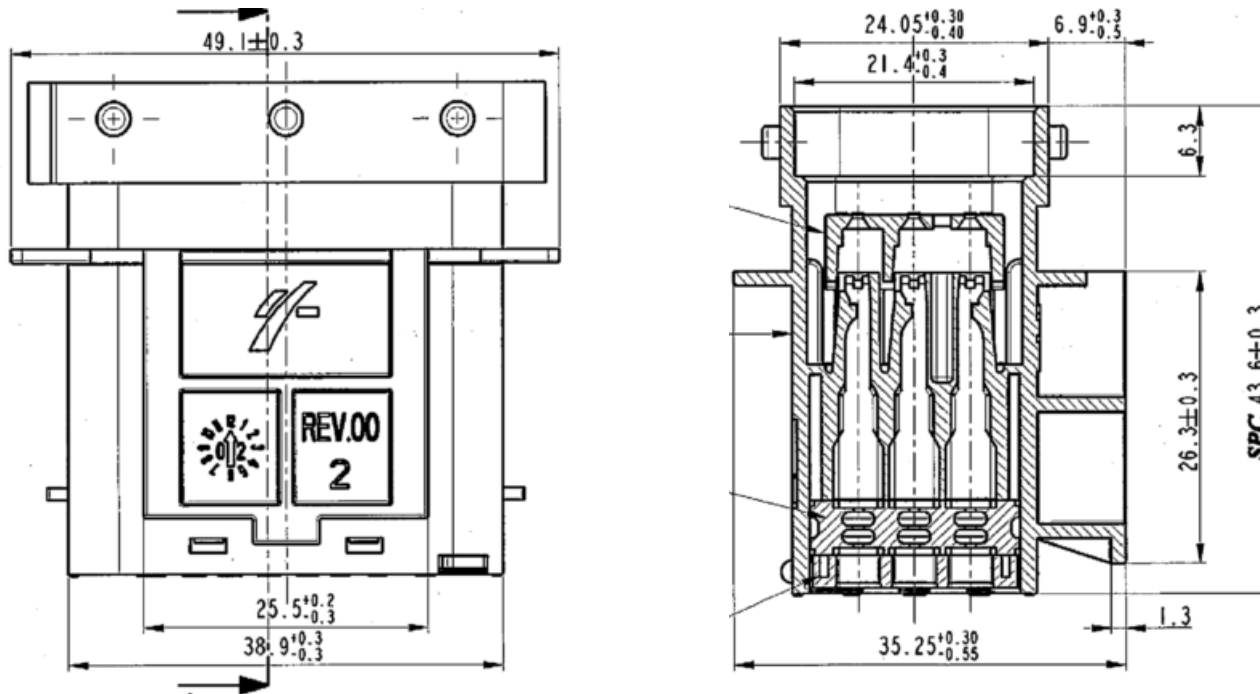
8-way Unsealed - Right Angle



Dimensions

Shown in millimeters.

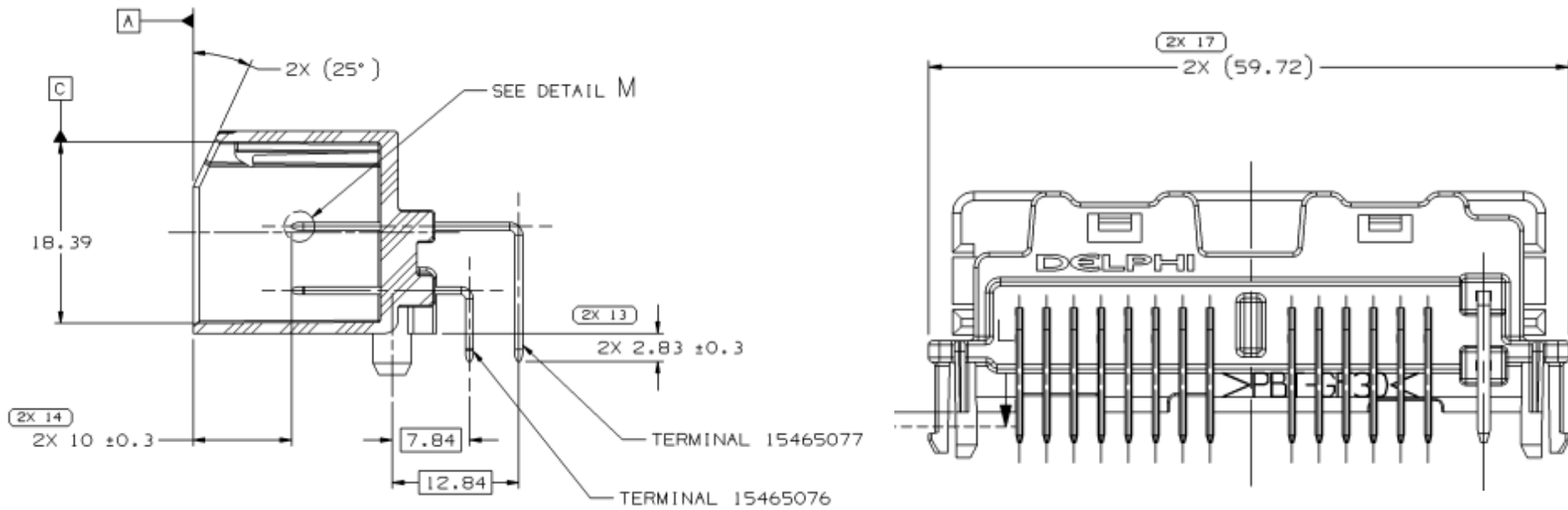
24w Header



Dimensions

Shown in millimeters.

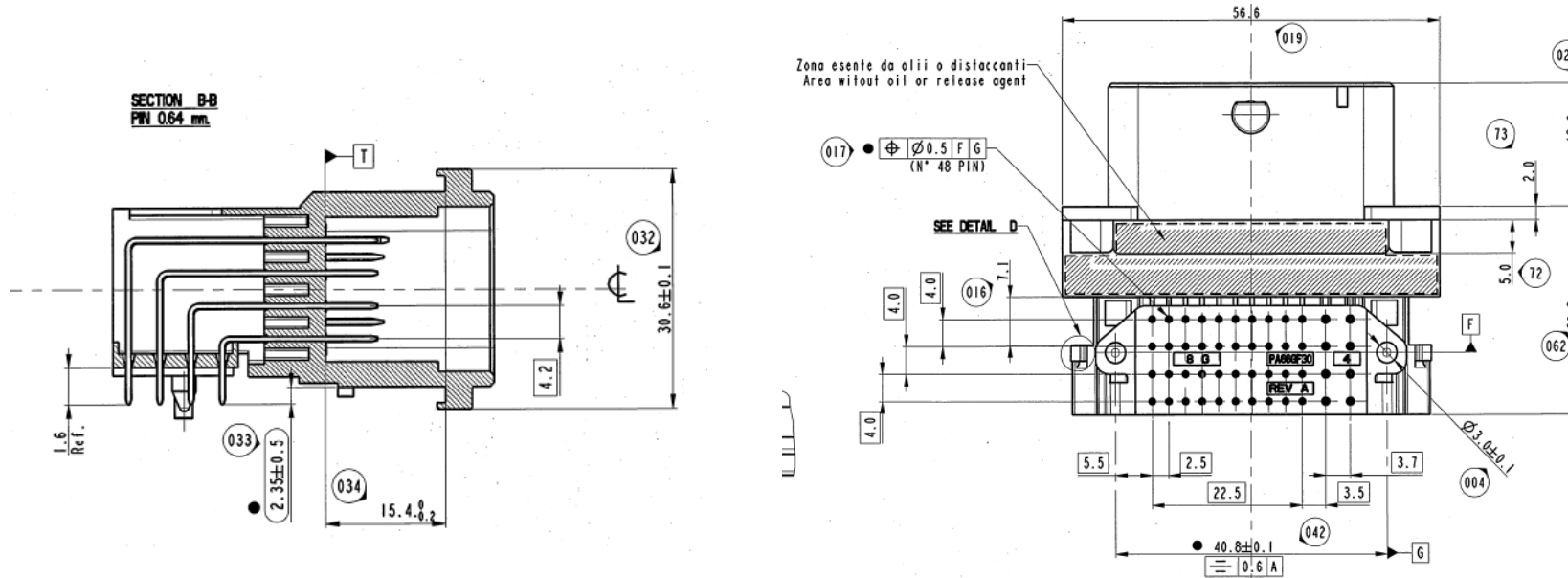
30-way Unsealed - Right Angle



Dimensions

Shown in millimeters.

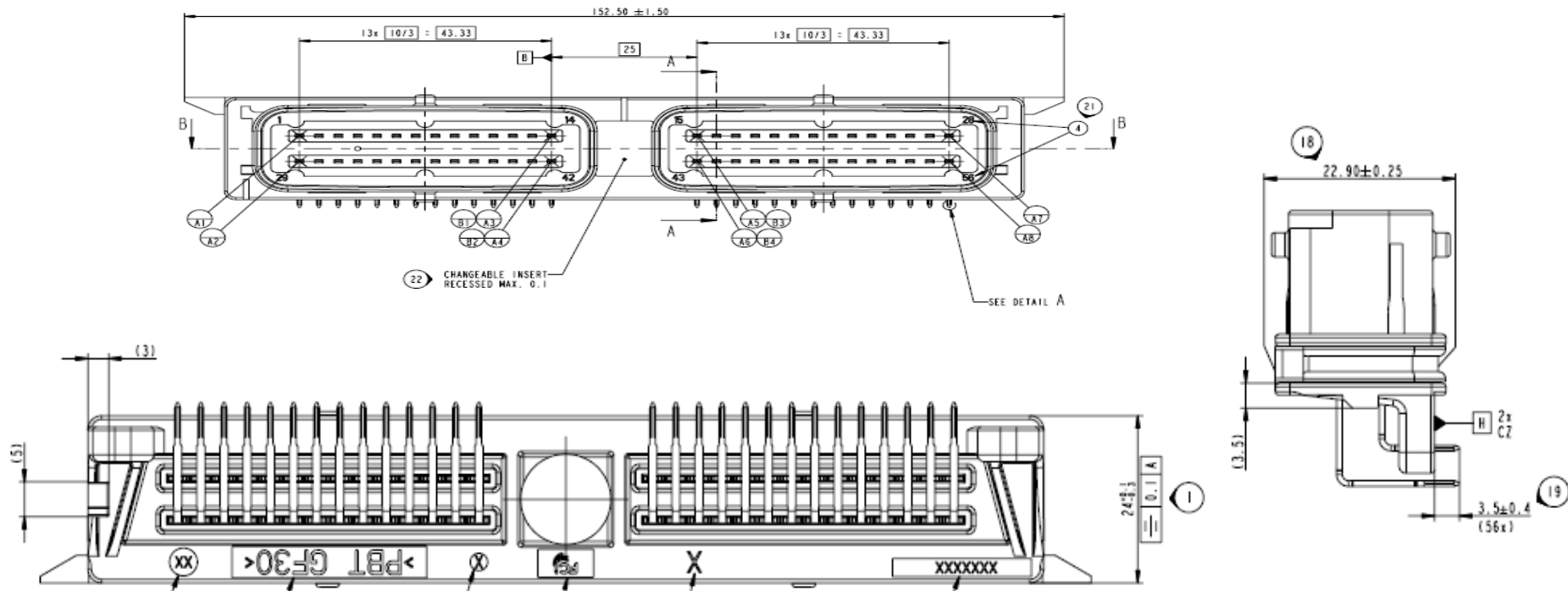
48w PinHeader



Dimensions

Shown in millimeters.

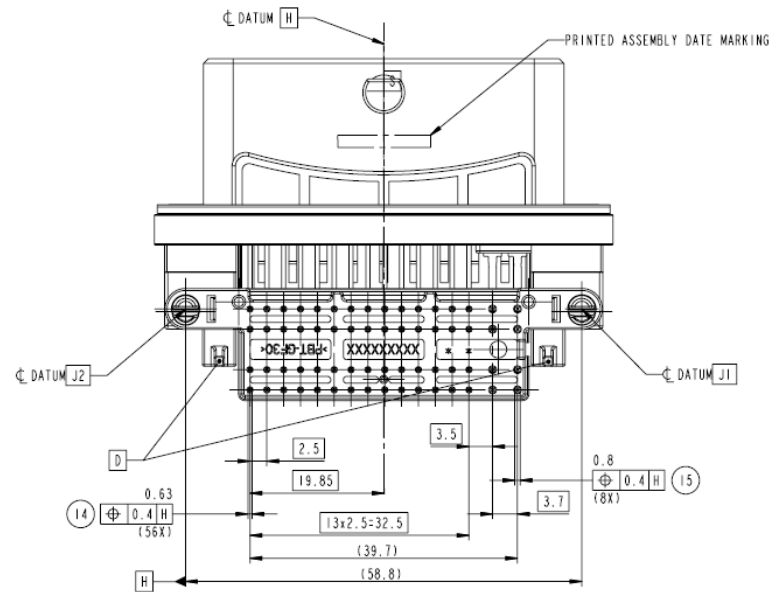
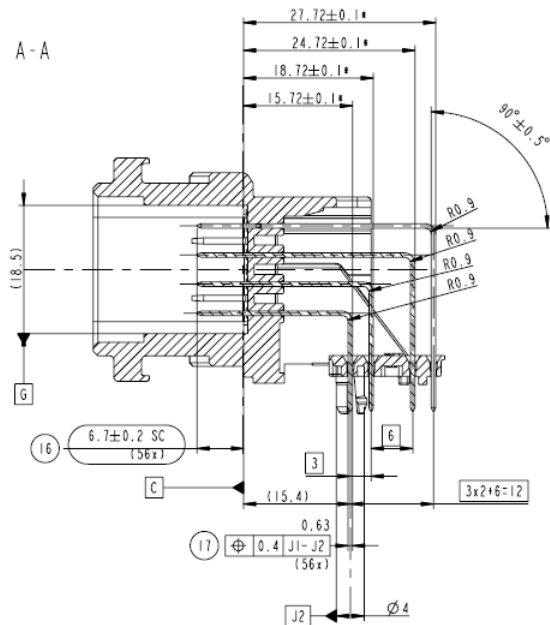
56w Header



Dimensions

Shown in millimeters.

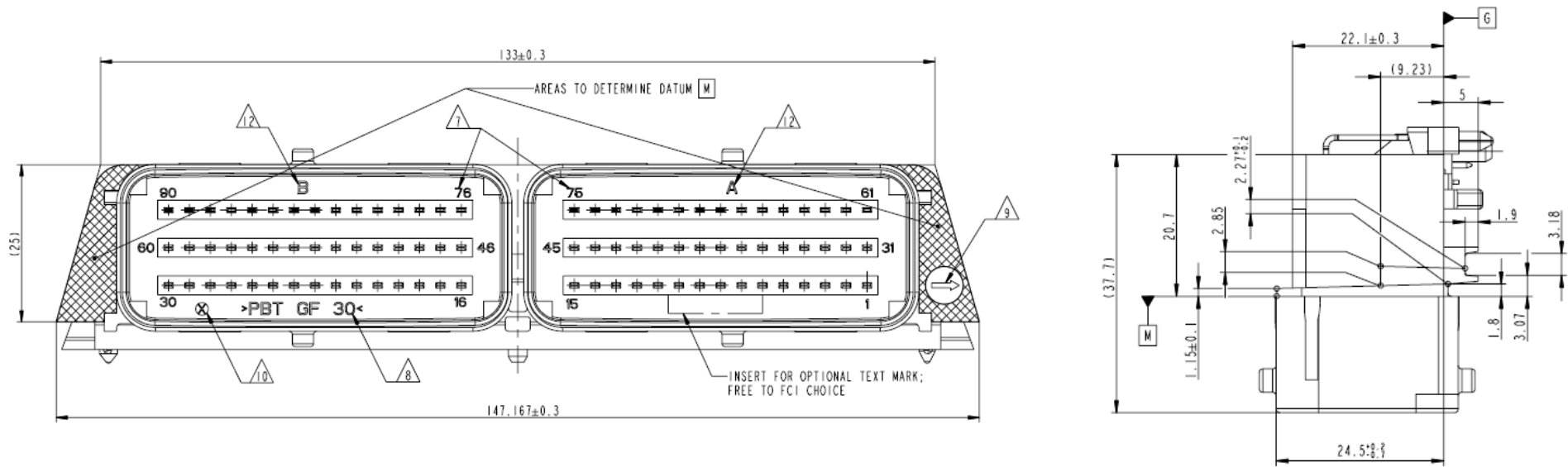
64w PinHeader



Dimensions

Shown in millimeters.

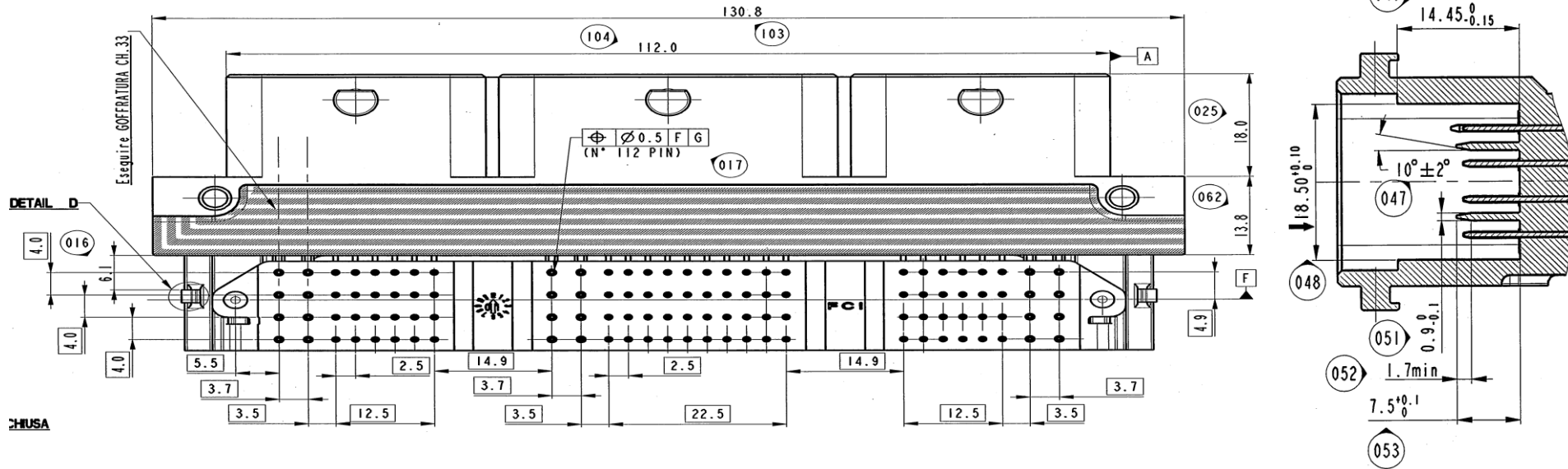
90w Header



Dimensions

Shown in millimeters.

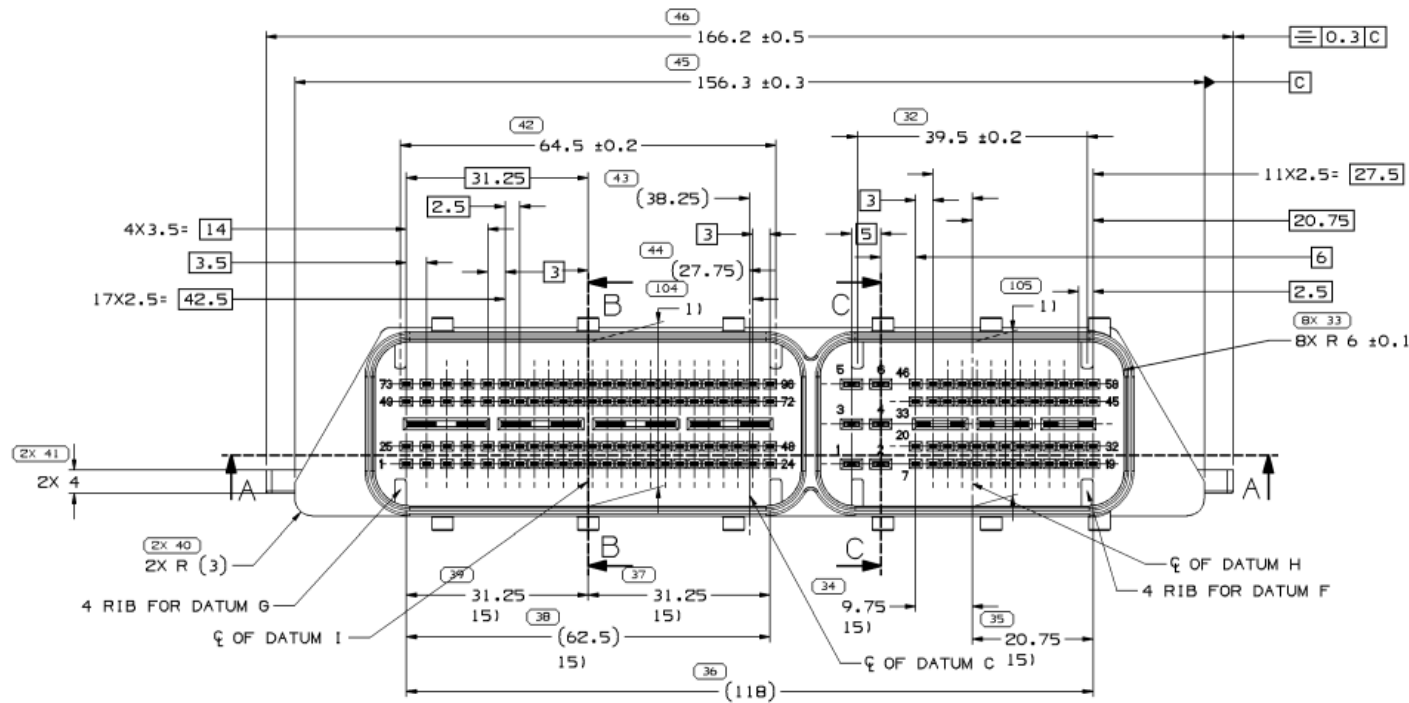
112w PinHeader



Dimensions

Shown in millimeters.

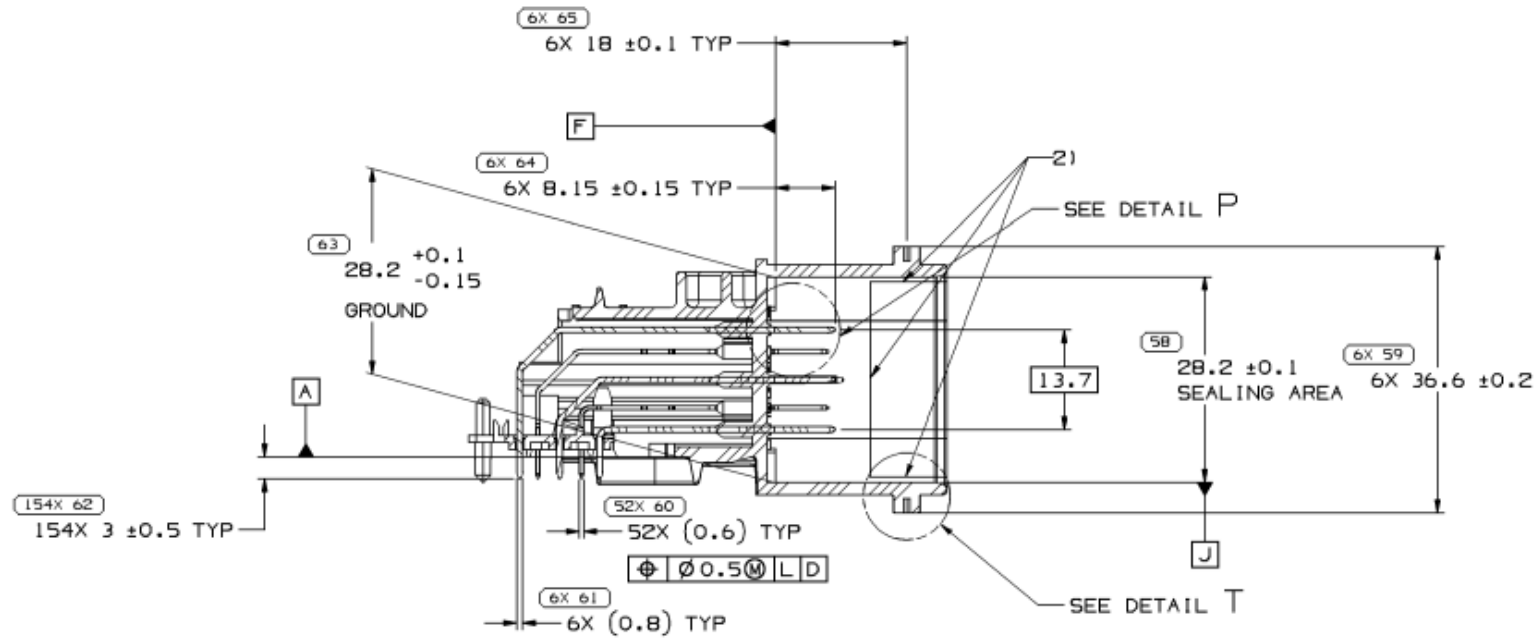
154w Header



Dimensions

Shown in millimeters.

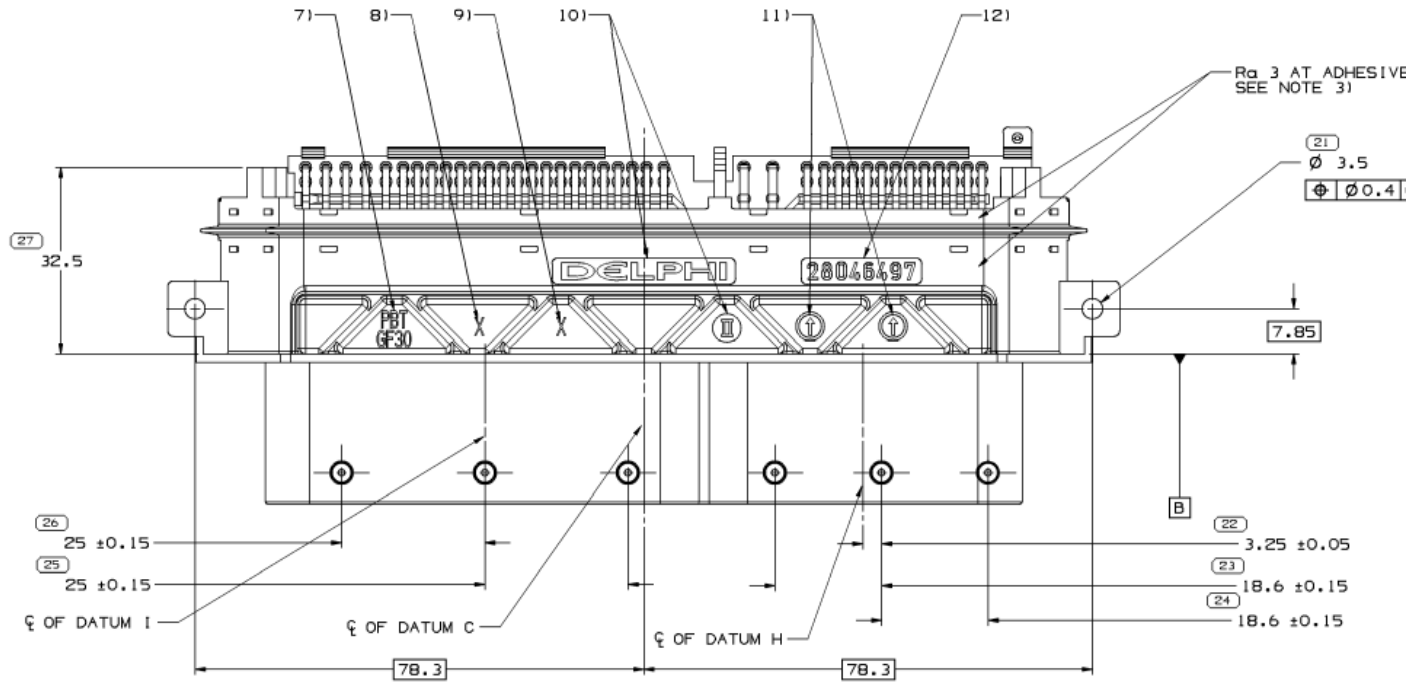
154w Header



Dimensions

Shown in millimeters.

154w Header



Cross Reference

P/N	DPN	Description
9402549	9402549	30 Way Black Micro 64 USCAR 120 Unsealed Male Connector Assembly
12191133	12191133	280 GT
12191134	12191134	280 GT
12191135	12191135	280 GT
13535331	13535331	Low Harshness equal or more 32 ways ECU
13535335	13535335	Low Harshness equal or more 32 ways ECU
13543114	13543114	120 OCS
13543115	13543115	120 OCS
13543116	13543116	120 OCS
13733783	13733783	120 MICRO
13767046	13767046	064 OCS
13767047	13767047	064 OCS
13767048	13767048	064 OCS
13782038	13782038	Cockpit Unslid equal or less 10 ways
13830808	13830808	154 Way Black 1.2 2.8 Sealed Male Connector Assembly
15304710	15304710	280 GT
15304711	15304711	280 GT
15304712	15304712	280 GT
15304713	15304713	280 GT
15356826	15356826	064 MICRO
15356827	15356827	064 MICRO
15359541	15359541	064 MICRO
15394147	15394147	064 MICRO
15401440	15401440	064 MICRO
15420151	15420151	Body cntrlr-Stand alone Hdr insert mold
15427675	15427675	280 GT
15445904	15445904	120 MICRO
15445905	15445905	120 MICRO
15464951	15464951	14 Way Black GT 150 Micro 64 Unsealed Female Connector
15477038	15477038	Cockpit Unslid more than 10 ways
15486792	15486792	Others Multimedia
15494338	15494338	280 BTS
15494339	15494339	280 BTS
15494340	15494340	280 BTS
15494573	15494573	Low Harshness equal or more 32 ways ECU
15494575	15494575	Low Harshness equal or more 32 ways ECU
15494581	15494581	Low Harshness equal or more 32 ways ECU
15494608	15494608	Low Harshness equal or more 32 ways ECU
15494614	15494614	Low Harshness equal or more 32 ways ECU
17464807	33503457	ECU and BSM-Stand alone Header
1746B207M	33503824	ECU and BSM-Stand alone Header
211A247020	10740114	Low Harshness less 32 ways wipers alt
211CC2S1160P	10863984	150 SICM3
211CC2S1190P	13602481	150 SICM3
211CC2S1460P	13764604	150 SICM3
211CC2S2160P	10863985	150 SICM3

P/N	DPN	Description
211CC2S2190P	33511808	150 SICM3
211CC2S2460P	13764602	150 SICM3
211CC2S4190P	33501712	150 SICM3
211CC3S1160	10781041	280 SICM3
211CC3S1161	10740375	150 SICM3
211CC3S1460	13567906	150 SICM3
211CC3S2160	10726549	150 SICM3
211CC3S2161	10740376	150 SICM3
211CC3S2460	33501949	150 SICM3
211PC069S0049	10768569	Body chassis Sld equal or less 10 ways
211PC249S0020	13751295	Cockpit Unslid more than 10 ways
211PC249S0033	10820454	High Harshness Injector engine sensors
211PC249S1020	13751296	Low Harshness less 32 ways wipers alt
211PC249S1033	13841561	Cockpit Sealed more than 10 ways
211PC249S6033	33500315	High Harshness Injector engine sensors
211PC249S8020	13751294	Low Harshness less 32 ways wipers alt
211PC249S8033	13841588	Low Harshness less 32 ways wipers alt
211PC902S0009	10776517	High Harshness Injector engine sensors
211PL249S0023	15396450	High Harshness Injector engine sensors
211PL249S0033	15470023	24 Way Male sealed SICMA Connector black-gromet green
211PL249S1033	13949170	24 Way Male sealed SICMA Connector brown-gromet green
211PL249S6033	33500327	Low Harshness less 32 ways wipers alt
211PL249S8020	33503783	Low Harshness less 32 ways wipers alt
211PL249S8033	13949173	24 Way Male sealed SICMA Connector grey-gromet green
F015300	33504510	ECU and BSM-Stand alone Header
F135200	33511394	ECU and BSM-Stand alone Header
F159000	33508361	ECU and BSM-Stand alone Header
F270000	33503151	ECU and BSM-Stand alone Header
F418400	13779855	Single wire sealing
F670000	33503152	ECU and BSM-Stand alone Header
F765000	33500419	High Harshness Injector engine sensors
F965000	13956254	Low Harshness equal or more 32 ways ECU
HCCMHPE24BKAF	33500426	Cockpit Unslid more than 10 ways
PPI0000489	13648598	064 GTS 1
PPI0001258	13669859	High Harshness Injector engine sensors
PPI0001483	13741954	150 GTS 2
PPI0001484	13749482	150 GTS 2
PPI0001485	13768626	Wire Sealing-Special application
PPI0001486	13826722	Special sealing products-Special applic
PPI0001487	13741940	High Harshness Injector engine sensors
PPI0001488	13851306	High Harshness Injector engine sensors
PPI0001489	33500494	High Harshness Injector engine sensors
PPI0001493	33500498	32 Way CMC female sealed blue keyWay right lever
PPI0001500	13722628	Low Harshness equal or more 32 ways ECU
PPI0001501	13648596	Low Harshness equal or more 32 ways ECU
PPI0001522	13851307	CMC 32 Way Wire dress cover for Housing
PPI0001526	13648597	Low Harshness equal or more 32 ways ECU
PPI0001538	13956254	CMC 48 Way Wire dress cover for Housing
PPI0001619	13955989	064 GTS 1

www.delphi.com/connectors

Contact Information

Asia Pacific

60 Yuanguo Road
Anting, Jiading District
Shanghai, 201814 China
Tel: (86) 21. 5959.2200

North America

5725 Delphi Drive
Troy, Michigan 48098-2815
USA
Tel: (1) 248.813.2000

Europe

Customer Technology Center
Delphiplatz 1
42119 Wuppertal, Germany
Tel: (49) 202.291.0

South America

Delphi Automotive Systems do Brasil Ltda.
Rod. dos Tamoios, Km 21,8
Jambeiro, São Paulo 12290-000 Brazil
Tel: (55) 12.3978.2005