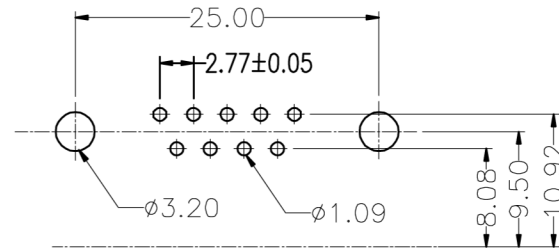
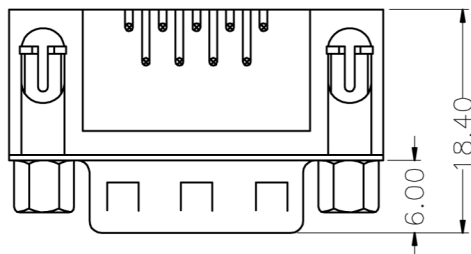
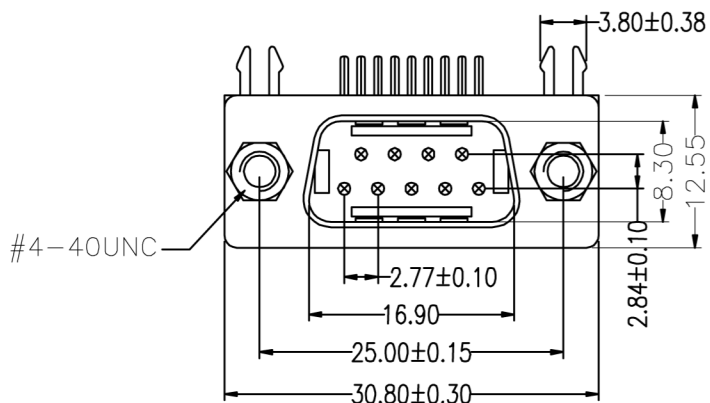


Kinghelm®

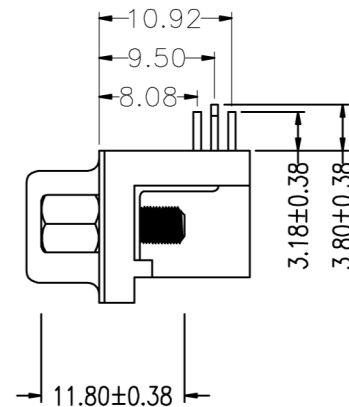
| SIDE | DATE | DESCRIPTION | APPROVER |
|------|------|-------------|----------|
| △ | | | |
| △ | | | |



P.C.B. PLYOUT



您正在使用
ZwCAD 2007 试用版
详情请查阅WWW.ZWCAD.COM



一、MATERIAL:

- 1.Insulator:PBT+30%Glass Fiber (UL94V-0)
- 2.Contact:Brass
- 3.Contact Plated:Gold Flash over Tin Or Glod Plated Or Tin Plated
- 4.Shell:Steel,Nickel Plated

二、SPECIFICATION:

- 1.Current Rating:5 AMPS
- 2.Insulation Resistance: 5000MΩ MIN. At 500VDC
- 3.Dielectric Strength: 500V for One minute
- 4.Operation Temperature: -55° C~+105° C.

| | | | | | |
|-----------|----------|----------------------------------|-------------------------------------|----------------|---------------------|
| 电话(tel) | | 公差 | | 深圳市金航标电子有限公司 | www.kinghelm.com.cn |
| 传真(fax) | | .0±0.25 .00±0.20 .000±0.05 | .0'±1.0' .00'±0.5' .000'±0.1' | KH-DR9P-GS8.1 | 0755-28190160 |
| 比例(scale) | 1 : 1 | 日期(date) | | 单位(units) | mm |
| 图名(name) | DR-9P 铆锁 | 图号(draw number) | | 颜色(shaded) | |
| 页次(sheet) | A / 1 | 绘图(draw) | | 材料(mt'l) | |
| 版次(rev.) | A / 0 | 审核(ch'k) | | 处理(finish) | |
| 视图(view) | | 核准(app'd) | Ken | 图档(Files Name) | |