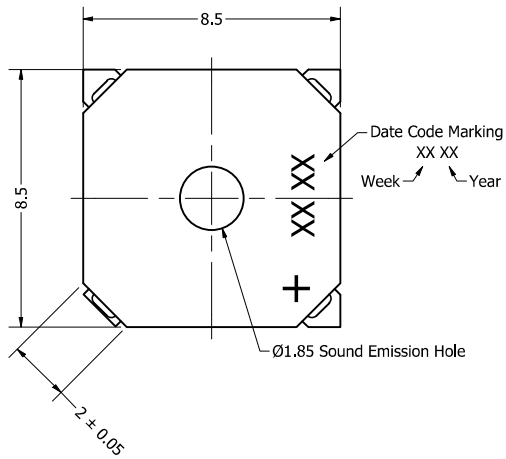


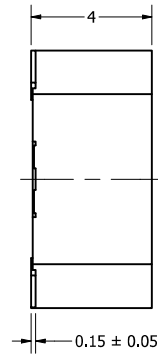
Part Number:	<b>TE084005-2</b>		DRAWN	5/20/2020
			CJ	
	Description:	Electro-Mechanical Transducer		CHECKED
P.D.				
APPROVED				5/21/2020
			J.S.	

This document contains data proprietary to DB Unlimited. Any use or reproduction, in any form, without prior written permission of DB Unlimited is prohibited. All terms and conditions can be found at [www.dbunlimitedco.com](http://www.dbunlimitedco.com)

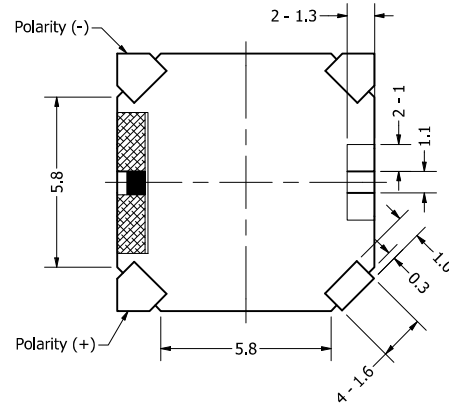
Top View



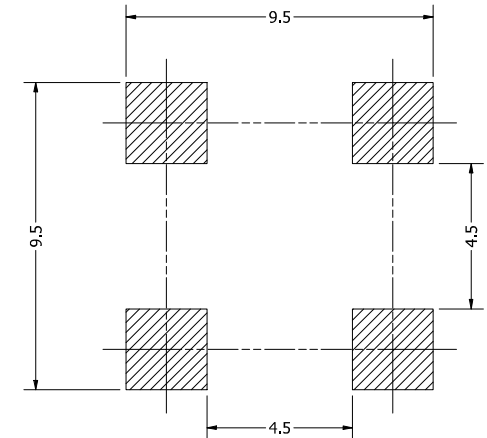
Side View



Bottom View



Recommended PCB Layout



Items	Specifications	Conditions
Min. Sound Pressure Level	100	dB (@ 10cm)
Resonant Frequency	4,000	Hz
Rated Voltage	5	V
Voltage Range	1 ~ 6	V
Coil Resistance	13 ± 3	Ω
Max. Rated Current	150	mA
Storage Temperature	-40 ~ +85	°C
Operating Temperature	-40 ~ +85	°C
Connection Method	Surface Mount Pads	
Mount Type	Surface Mount	
Housing Material	LCP	
Weight	0.6	g

REVISION HISTORY

REV	DESCRIPTION	DATE	APPROVED
	Released from Engineering	5/21/2020	J.S.

NOTES

- 1) All dimensions are in mm unless otherwise noted
- 2) All tolerances are ± 0.5 mm unless otherwise noted
- 3) All parts meet RoHS
- 4) Subject to change or redrawn without notice