

THIS DRAWING IS UNPUBLISHED.

RELEASED FOR PUBLICATION

12JUN2012

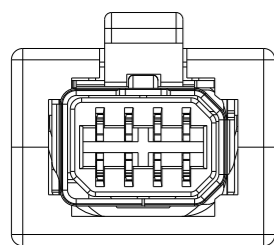
© COPYRIGHT 2012 BY Tyco Electronics Japan G.K. ALL RIGHTS RESERVED.

LOC J DIST -

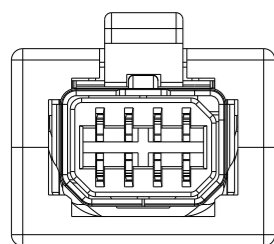
REVISIONS

P	LTR	DESCRIPTION	DATE	DWN	APVD
A		RELEASED	06DEC2013	T.S	N.Y
B		ADD ITEM	18NOV2014	T.S	N.Y
C		RELEASED PER ECR-18-015311	26SEP2018	PP	RB
CI		ECR-23-184393 ADD NEW PN	17AUG2023	BP	TEL

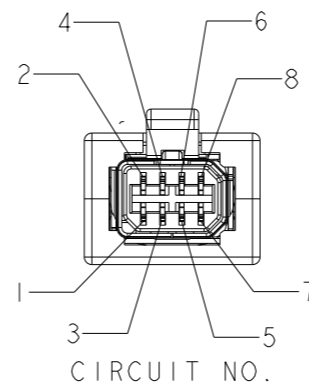
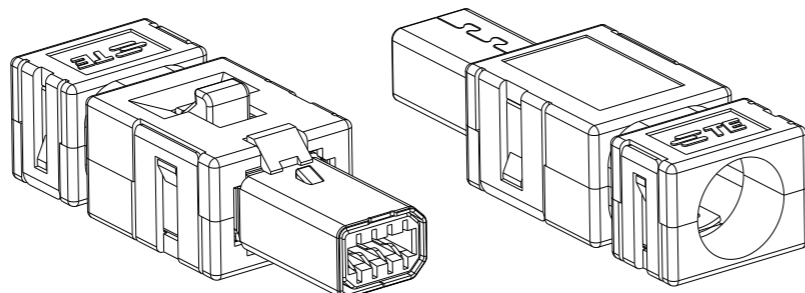
- I. -1 : TYPE I , INSULATION DIAMETER 1.05-1.15mm (L)
- I- -1 : TYPE II, INSULATION DIAMETER 1.05-1.15mm (L)
- 2 : TYPE I , INSULATION DIAMETER 0.93-1.05mm (M)
- I- -2 : TYPE II, INSULATION DIAMETER 0.93-1.05mm (M)
- 3 : TYPE I , INSULATION DIAMETER 0.93-1.05mm IPC, 1.05-1.15mm IPC (M+L)
- 6 : TYPE I , INSULATION DIAMETER 1.1-1.2mm (LL)
- I- -6 : TYPE II, INSULATION DIAMETER 1.1-1.2mm (LL)



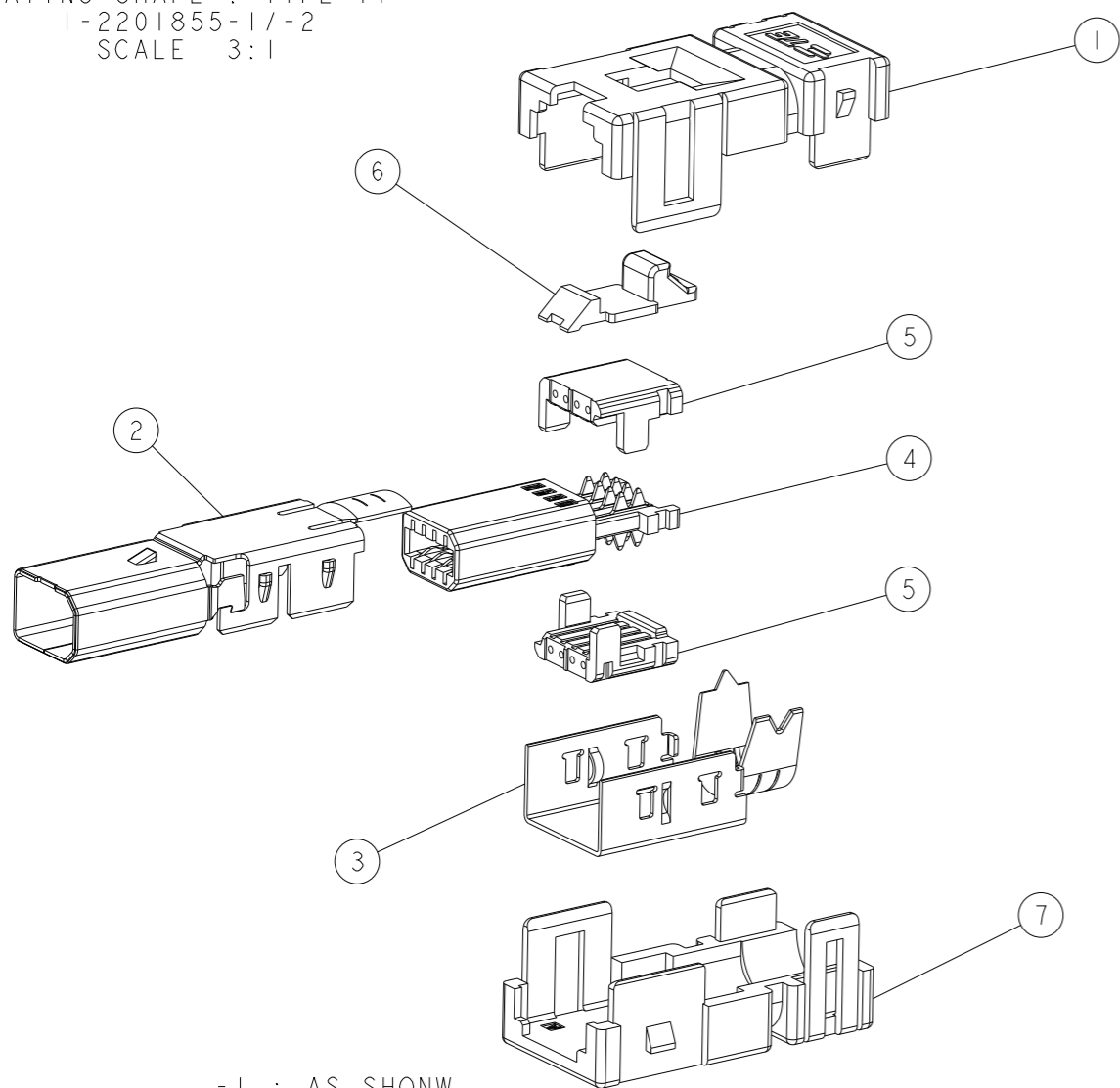
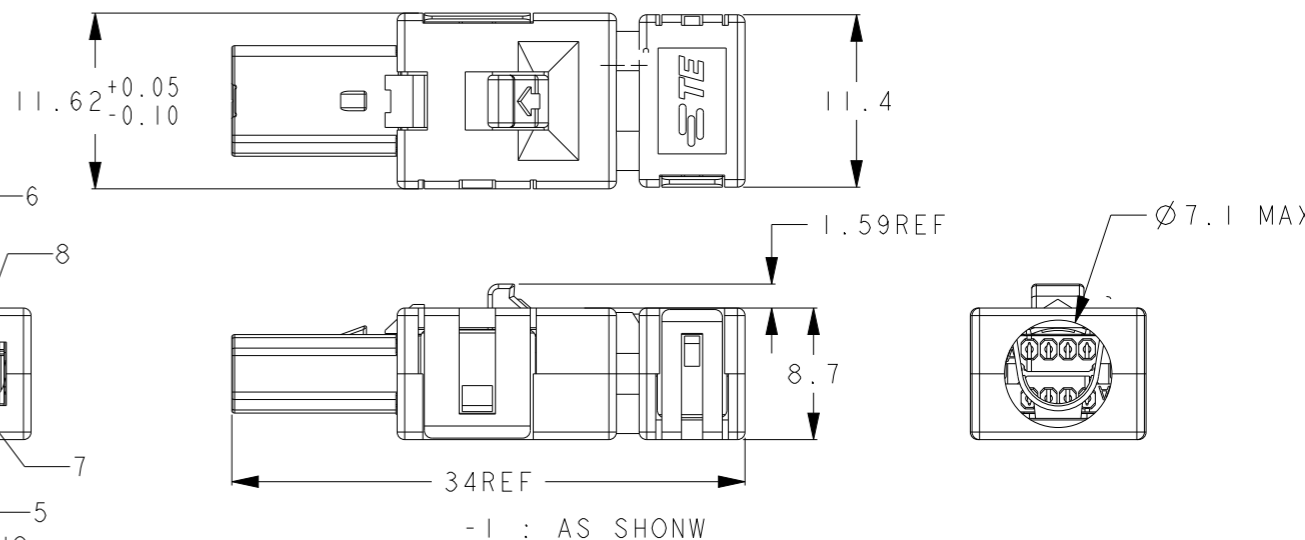
MATING SHAPE : TYPE I
2201855-1/-2/-3/-6
SCALE 3:1



MATING SHAPE : TYPE II
1-2201855-1/-2
SCALE 3:1



CIRCUIT NO.



-1 : AS SHOWN

LL	LL	M+L	M	M	L	L	MATERIAL/FINISH	PART NAME	ITEM
1	1	1	1	1	1	1	THERMO PLASTIC	PLUG COVER HSG BOTTOM	7
1	1	1	1	1	1	1	THERMO PLASTIC	LOCK HSG	6
2	2	-	-	-	-	-	THERMO PLASTIC	CABLE HSG Ø1.10-1.20 COLOR : GREEN	5
-	-	1	2	2	-	-		CABLE HSG Ø0.93-1.05 COLOR : RED	
-	-	1	-	-	2	2	HSG MATERIAL:THERMO PLASTIC	CABLE HSG Ø1.05-1.15 COLOR : BLUE	4
1	1	1	1	1	1	1			
1	1	1	1	1	1	1	MATERIAL:COPPER ALLOY FINISH:NICKEL PLATING	BOTTOM SHELL	3
1	-	-	1	-	1	-	MATERIAL:COPPER ALLOY FINISH:NICKEL PLATING	PLUG TOP SHELL TYPEII	2
-	1	1	-	1	-	1	MATERIAL:COPPER ALLOY FINISH:NICKEL PLATING	PLUG TOP SHELL TYPEI	
1	1	1	1	1	1	1	THERMO PLASTIC	PLUG COVER HSG TOP	1

THIS DRAWING IS A CONTROLLED DOCUMENT.

DIMENSIONS:	TOLERANCES UNLESS OTHERWISE SPECIFIED:
mm	±0.5
Ø PLC	±
1 PLC	±0.5
2 PLC	±0.13
3 PLC	±0.013
4 PLC	±0.0001
ANGLES	±
MATERIAL	FINISH
-	-

DWN	06DEC2013
T. SHIMOYASU	
CHK	06DEC2013
M. HARASAWA	
APVD	06DEC2013
N. YAMASAKI	
PRODUCT SPEC	108-78955
APPLICATION SPEC	114-5506
WEIGHT	-

STE TE Connectivity

INDUSTRIAL MINI I/O PIERCING PLUG CONNECTOR KIT

NAME: 108-78955

SIZE: A3 CAGE CODE: 300779 DRAWING NO: C-2201855

RESTRICTED TO: []