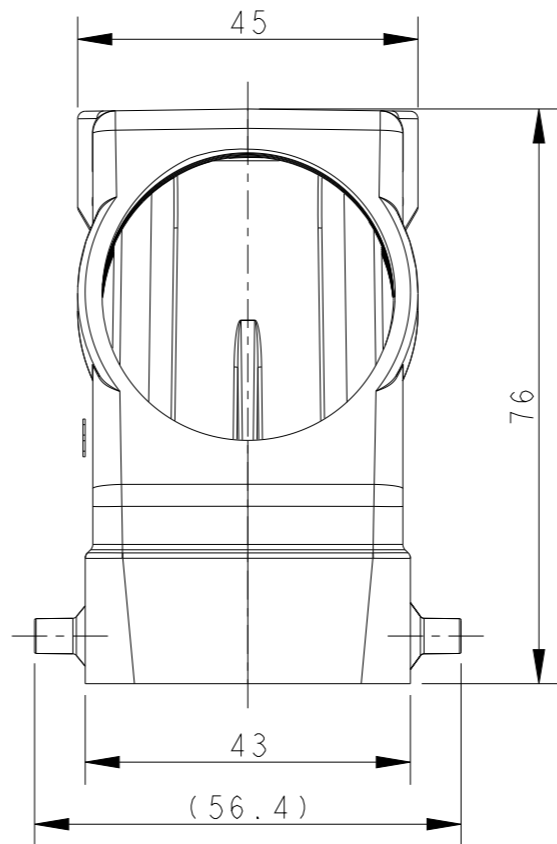
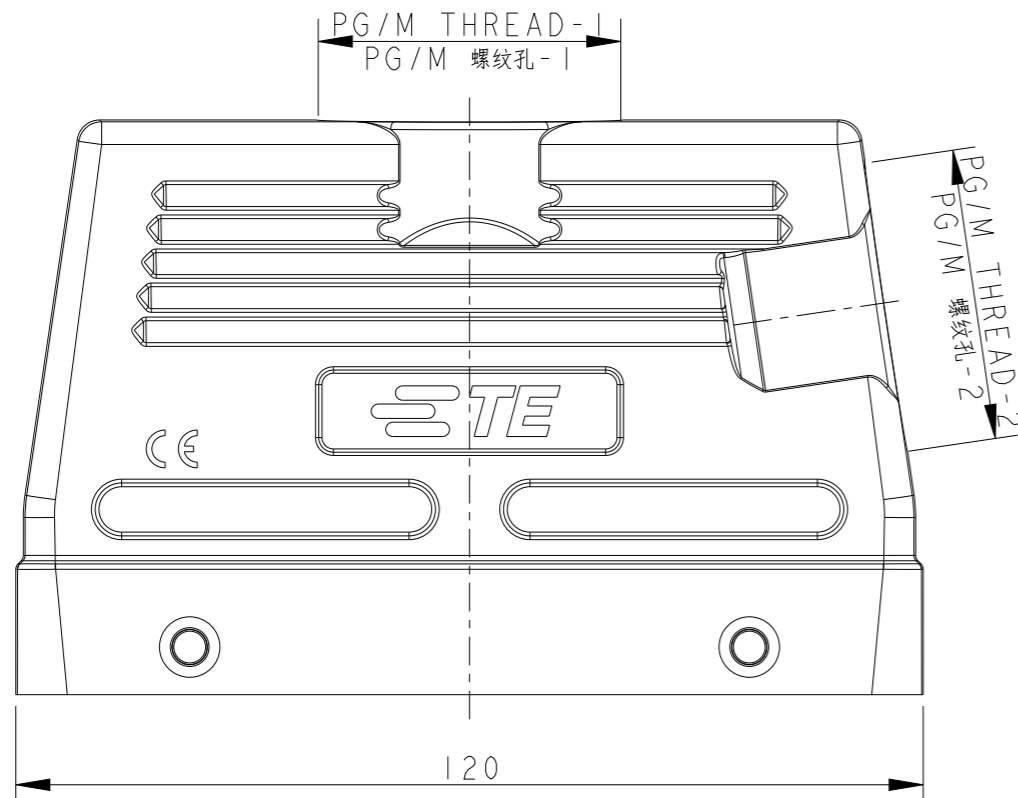


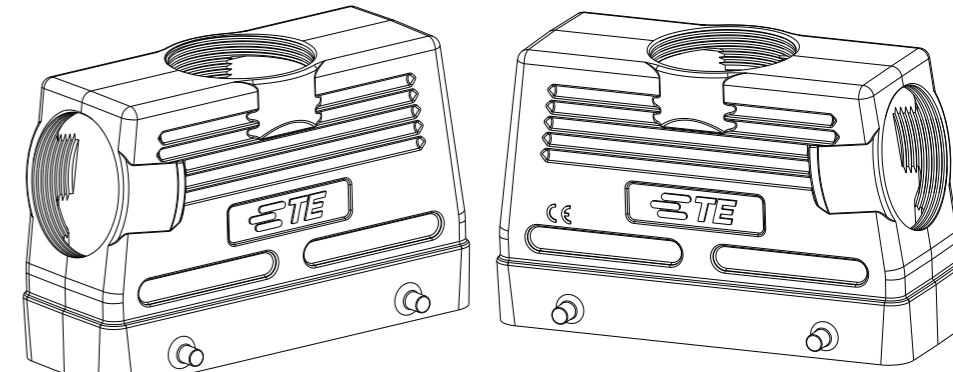
REVISIONS

P	LTR	DESCRIPTION	DATE	DWN	APVD
A1	ECR-17-005453		14APR2017	QY	CW
A2	ECR-18-009192		16JUL2018	KW	CW
B	ECR-20-014876		22OCT2020	WQR	CW
B1	ECR-21-108894		04AUG2021	WQR	CW

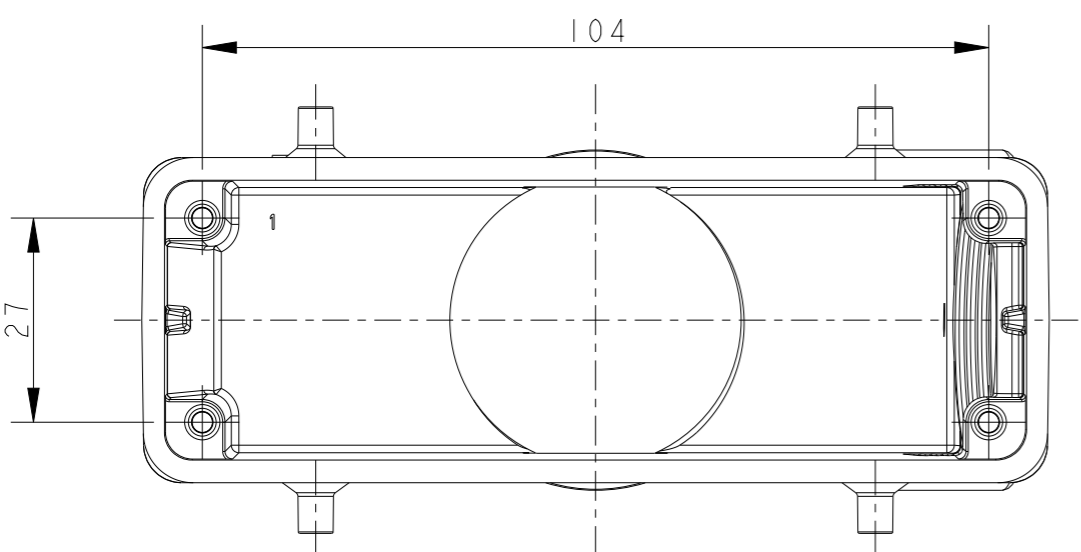


NOTES:
 1. TECHNICAL CHARACTERISTICS:
 HOOD MATERIAL: DIE CAST ALUMINIUM ALLOY
 SURFACE: POWDER COATED, GREY
 DEGREE OF PROTECTION: IP65 (MATED)

注释:
 1. 技术参数:
 上壳材料: 铝合金
 表面处理: 粉末涂层, 灰色
 防护等级: IP65 (配合)



SCALE 1:2



PART NUMBER	PART DESCRIPTION	PG/M THREAD-1	PG/M THREAD-2
T1190242911-000	H24B-TGH/TSH-PG11/PG29 H24B HOOD, TOP ENTRY PG11, SIDE ENTRY PG29, 4 EAR, HIGH CONSTRUCTION, POWDER COATED, GREY H24B上壳, 顶出PG11, 侧出PG29, 4耳, 高结构, 灰色粉末喷涂	PG11	PG29
T1190242913-000	H24B-TGH/TSH-PG13.5/PG29 H24B HOOD, TOP ENTRY PG13.5, SIDE ENTRY PG29, 4 EAR, HIGH CONSTRUCTION, POWDER COATED, GREY H24B上壳, 顶出PG13.5, 侧出PG29, 4耳, 高结构, 灰色粉末喷涂	PG13.5	PG29
T1190242940-000	H24B-TGH/TSH-M40/PG29 H24B HOOD, TOP ENTRY M40, SIDE ENTRY PG29, 4 EAR, HIGH CONSTRUCTION, POWDER COATED, GREY H24B上壳, 顶出M40, 侧出PG29, 4耳, 高结构, 灰色粉末喷涂	M40X1.5	PG29
T1190243240-000	H24B-TGH/TSH-M40/M32 H24B HOOD, TOP ENTRY M40, SIDE ENTRY M32, 4 EAR, HIGH CONSTRUCTION, POWDER COATED, GREY H24B上壳, 顶出M40, 侧出M32, 4耳, 高结构, 灰色粉末喷涂	M40X1.5	M32X1.5
T1190244032-000	H24B-TGH/TSH-M32/M40 H24B HOOD, TOP ENTRY M32, SIDE ENTRY M40, 4 EAR, HIGH CONSTRUCTION, POWDER COATED, GREY H24B上壳, 顶出M32, 侧出M40, 4耳, 高结构, 灰色粉末喷涂	M32X1.5	M40X1.5
T1190244020-000	H24B-TGH/TSH-M20/M40 H24B HOOD, TOP ENTRY M20, SIDE ENTRY M40, 4 EAR, HIGH CONSTRUCTION, POWDER COATED, GREY H24B上壳, 顶出M20, 侧出M40, 4耳, 高结构, 灰色粉末喷涂	M20X1.5	M40X1.5

THIS DRAWING IS A CONTROLLED DOCUMENT.

DIMENSIONS: mm	TOLERANCES UNLESS OTHERWISE SPECIFIED: 0 PLC ±- 1 PLC ±- 2 PLC ±- 3 PLC ±- 4 PLC ±- ANGLES ±- FINISH
-------------------	---

DWN	01JUN2015
CHK	01JUN2015
APVD	01JUN2015
PRODUCT SPEC	108-137013
APPLICATION SPEC	114-137013
WEIGHT	-

STE TE Connectivity

NAME
H24B-TGH/TSH-M/PG

SIZE	CAGE CODE	DRAWING NO	RESTRICTED TO
A3	00779	©-T119024XXXX000	-

Customer Drawing SCALE 1:1 SHEET 1 OF 1 REV B1