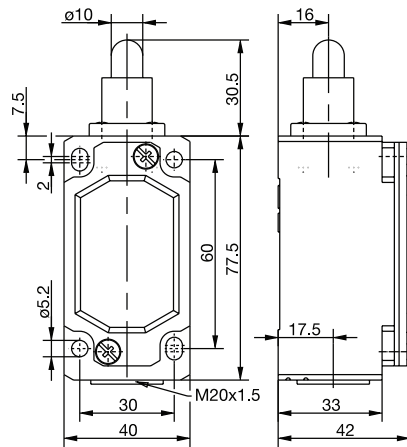


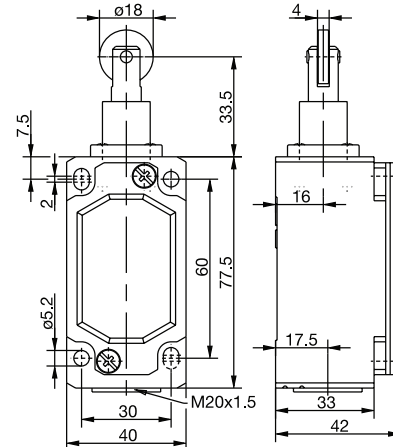
**ENM2 Series**



**IW (Form B)**



**RIW (Form C)**



Switching Operation	Slow Action	Snap Action	Slow Action	Snap Action
<b>1 NC / 1 NO Contacts</b>	<b>608.7102.001</b> ENM2-U1Z IW 	<b>608.7352.002</b> ENM2-SU1Z IW 	<b>608.7117.004</b> ENM2-U1Z RIW 	<b>608.7367.005</b> ENM2-SU1Z RIW 
<b>2 NC Contacts</b>	<b>608.7802.003</b> ENM2-A2Z IW 	-	<b>608.7817.006</b> ENM2-A2Z RIW 	<b>608.7867.051</b> ENM2-SA2Z RIW 
<b>2 NO Contacts</b>	<b>608.7802.021</b> ENM2-E2 IW 	-	-	-
<b>1 NC / 1 NO Contacts Overlapping</b>	<b>608.7302.027</b> ENM2-UV1Z IW 	-	-	-

**Replacement actuator:** **391.8020.584** (IW)      **391.8170.587** (RIW)

Technical Information	IW (Form B)		RIW (Form C)	
	Slow Action	Snap Action	Slow Action	Snap Action
Maximum Switching Voltage	240V	240V	240V	240V
Max. Switching Amps (up to)*	10A	10A	10A	10A
B10d (up to)*	20 Million	20 Million	20 Million	20 Million
Mechanical Service Life (up to)*	10 x 10 <sup>6</sup>	10 x 10 <sup>6</sup>	10 x 10 <sup>6</sup>	10 x 10 <sup>6</sup>
Switching Frequency	≤ 100/min	≤ 100/min	≤ 100/min	≤ 100/min
Operating Temperature	-30 °C to +80 °C	-30 °C to +80 °C	-30 °C to +80 °C	-30 °C to +80 °C
Protection Rating	IP65	IP65	IP65	IP65
Utilization Category (up to)*	AC-15, Ue/Ue 240V 3A	AC-15, Ue/Ue 240V 3A	AC-15, Ue/Ue 240V 3A	AC-15, Ue/Ue 240V 3A
Rate Insulation Voltage	400VAC	400VAC	400VAC	400VAC

\* Depending on switching system - see technical information for details



**Special features/variants (on request)**

- Also available with following contacts:  
2 NC / 1 NO with overlap  
1 NC / 2 NO with overlap

**Special features/variants (on request)**

- Available with different directions
- High temperature range
- Different roller diameters and contact types

Drawing dimensions in mm

# Mouser Electronics

Authorized Distributor

Click to View Pricing, Inventory, Delivery & Lifecycle Information:

[Altech:](#)

[608.7102.001](#) [608.7302.027](#) [608.7802.003](#) [608.7117.004](#) [608.7367.005](#) [608.7352.002](#) [608.7802.021](#)