

# ICS20-B100X98-V-7035 - Mounting base housing



2203878

<https://www.phoenixcontact.com/us/products/2203878>

Please be informed that the data shown in this PDF document is generated from our online catalog. Please find the complete data in the user documentation. Our general terms of use for downloads are valid.



DIN rail housing, Lower housing part with metal foot catch, Level 1: with vents, width: 20 mm, height: 100 mm, depth: 108.35 mm, color: light grey (similar RAL 7035), cross connection: DIN rail connector (optional), number of positions cross connector: 8

## Your advantages

- Flexible use, thanks to the modular system and unique modularity in the connection technology
- Standardized connections such as RJ45, USB, D-SUB and antenna sockets as components that can be integrated
- Optimal space utilization, as well as adaptability of design, colors, and printing
- Eight-position DIN rail connectors with parallel and up to two serial contacts for easy module-to-module communication

## Commercial data

Item number	2203878
Packing unit	10 pc
Minimum order quantity	10 pc
Sales key	AC09
Product key	ACHAEB
GTIN	4055626465531
Weight per piece (including packing)	46.35 g
Weight per piece (excluding packing)	36.4 g
Customs tariff number	85389099
Country of origin	DE

# ICS20-B100X98-V-7035 - Mounting base housing



2203878

<https://www.phoenixcontact.com/us/products/2203878>

## Technical data

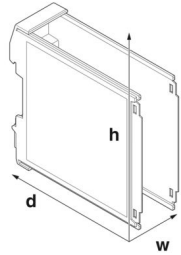
### Notes

Assembly note	Refer to the data sheet for the range in the download area.
Recommendation	Material of contact pads for bus connector, galvanic gold (hard gold)

### Product properties

Product type	Enclosure bottom part
Housing type	DIN rail housing
Housing series	ICS
Product family	ICS20-..100X..
Max. number of positions	24 (pitch: 3.5 mm) 18 (pitch: 5 mm)
Number of rows	4
Type	Lower housing part with metal foot catch
Ventilation openings present	yes

### Dimensions

Dimensional drawing	
Width	20 mm
Height	100 mm
Depth	108.35 mm
Depth from top edge of DIN rail to support point on upper part	98.15 mm
Dimensions	20 mm x 100 mm x 110 mm (Lower housing part from the top edge of the DIN rail with upper housing part) 20 mm x 100 mm x 116.7 mm (Lower housing part with upper housing part)

### PCB design

PCB thickness	1.4 mm ... 1.8 mm
---------------	-------------------

### Material specifications

Color (Housing)	light grey (RAL 7035)
Flammability rating according to UL 94	V0
CTI according to IEC 60112	600
Housing material	Polyamide
Surface characteristics	untreated

2203878

<https://www.phoenixcontact.com/us/products/2203878>

## Environmental and real-life conditions

### Power dissipation single housing for 20 °C

Ambient temperature	20 °C
Reduction factor	1
Mounting position	vertical
Power dissipation	16 W

### Power dissipation single housing for 30 °C

Ambient temperature	30 °C
Reduction factor	0.84
Mounting position	vertical
Power dissipation	13.5 W

### Power dissipation single housing for 40 °C

Ambient temperature	40 °C
Reduction factor	0.69
Mounting position	vertical
Power dissipation	11 W

### Power dissipation single housing for 50 °C

Ambient temperature	50 °C
Reduction factor	0.55
Mounting position	vertical
Power dissipation	8.85 W

### Power dissipation single housing for 60 °C

Ambient temperature	60 °C
Reduction factor	0.4
Mounting position	vertical
Power dissipation	6.5 W

### Power dissipation single housing for 70 °C

Ambient temperature	70 °C
Reduction factor	0.3
Mounting position	vertical
Power dissipation	5 W

### Vibration test

Specification	IEC 60068-2-6:2007-12
Frequency	10 - 150 - 10 Hz
Sweep speed	1 octave/min
Amplitude	0.15 mm (10 Hz ... 58.1 Hz)
Acceleration	2g (58.1 Hz ... 150 Hz)
Test duration per axis	2.5 h
Test directions	X-, Y- and Z-axis

# ICS20-B100X98-V-7035 - Mounting base housing



2203878

<https://www.phoenixcontact.com/us/products/2203878>

## Glow-wire test

Specification	IEC 60695-2-11:2014-02
Temperature	850 °C
Time of exposure	30 s

## Thermal stability / ball thrust test

Specification	IEC 60695-10-2:2014-02
Temperature	125 °C
Test duration	1 h
Force	20 N

## Mechanical strength / tumbling barrel

Specification	IEC 60068-2-31:2008-05
Height of fall	50 cm
Frequency	50

## Shocks

Specification	IEC 60068-2-27:2008-02
Pulse shape	Semi-sinusoidal
Acceleration	15g
Shock duration	11 ms
Number of shocks per direction	3
Test directions	X-, Y- and Z-axis (pos. and neg.)

## Test for substances that would hinder coating with paint or varnish

Specification	VDMA 24364:2018-05
Result	Test passed

## Degree of protection (IP code)

Specification	IEC 60529:1989-11 + AMD 1:1999-11 + AMD 2:2013-08
Result, degree of protection, IP code	IP20

## Ambient conditions

Max. IP code to attain	IP20
Ambient temperature (operation)	-40 °C ... 105 °C (depending on power dissipation)
Ambient temperature (storage/transport)	-40 °C ... 55 °C
Ambient temperature (assembly)	-5 °C ... 100 °C
Relative humidity (storage/transport)	80 %

## PCB data

Number of PCB holders	2
Type of PCB mount	Latching
Thickness of the PCB	1.4 mm ... 1.8 mm

## Mounting

Mounting type	DIN rail mounting
---------------	-------------------

# ICS20-B100X98-V-7035 - Mounting base housing



2203878

<https://www.phoenixcontact.com/us/products/2203878>

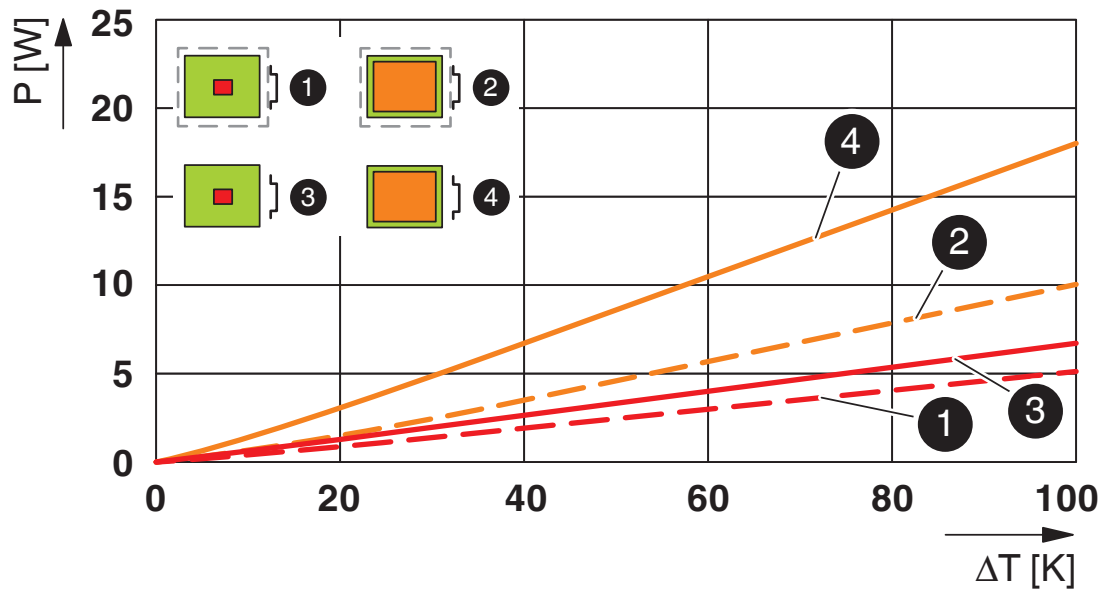
Mounting position	Vertical (horizontal DIN rail)
-------------------	--------------------------------

## Packaging specifications

Type of packaging	packed in cardboard
Outer packaging type	Carton

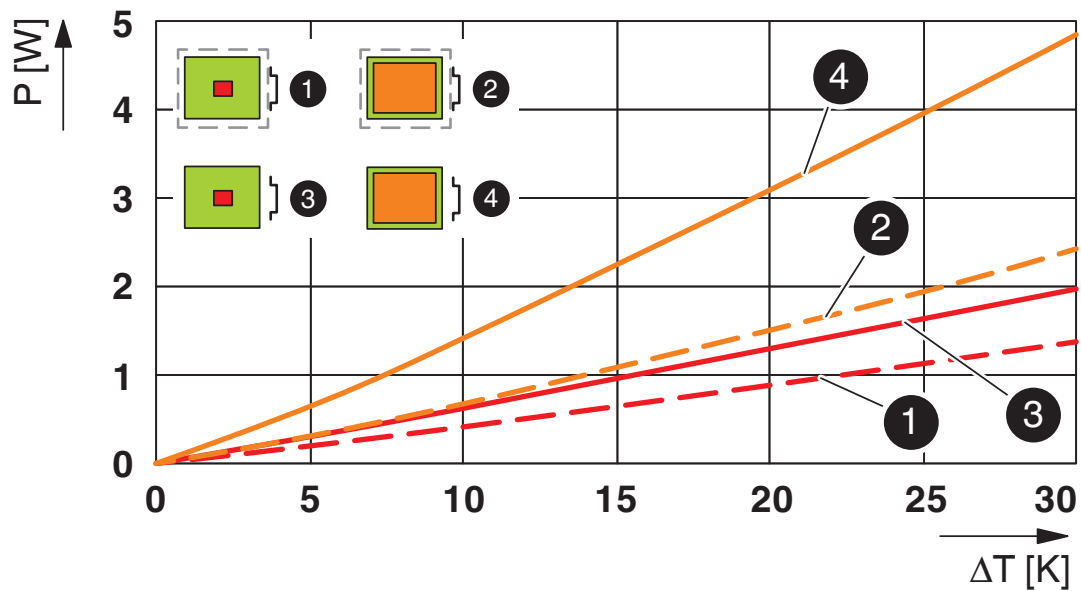
Drawings

Diagram



Power dissipation diagram for 0 K ... 100 K

Diagram



Power dissipation diagram for 0 K ... 30 K

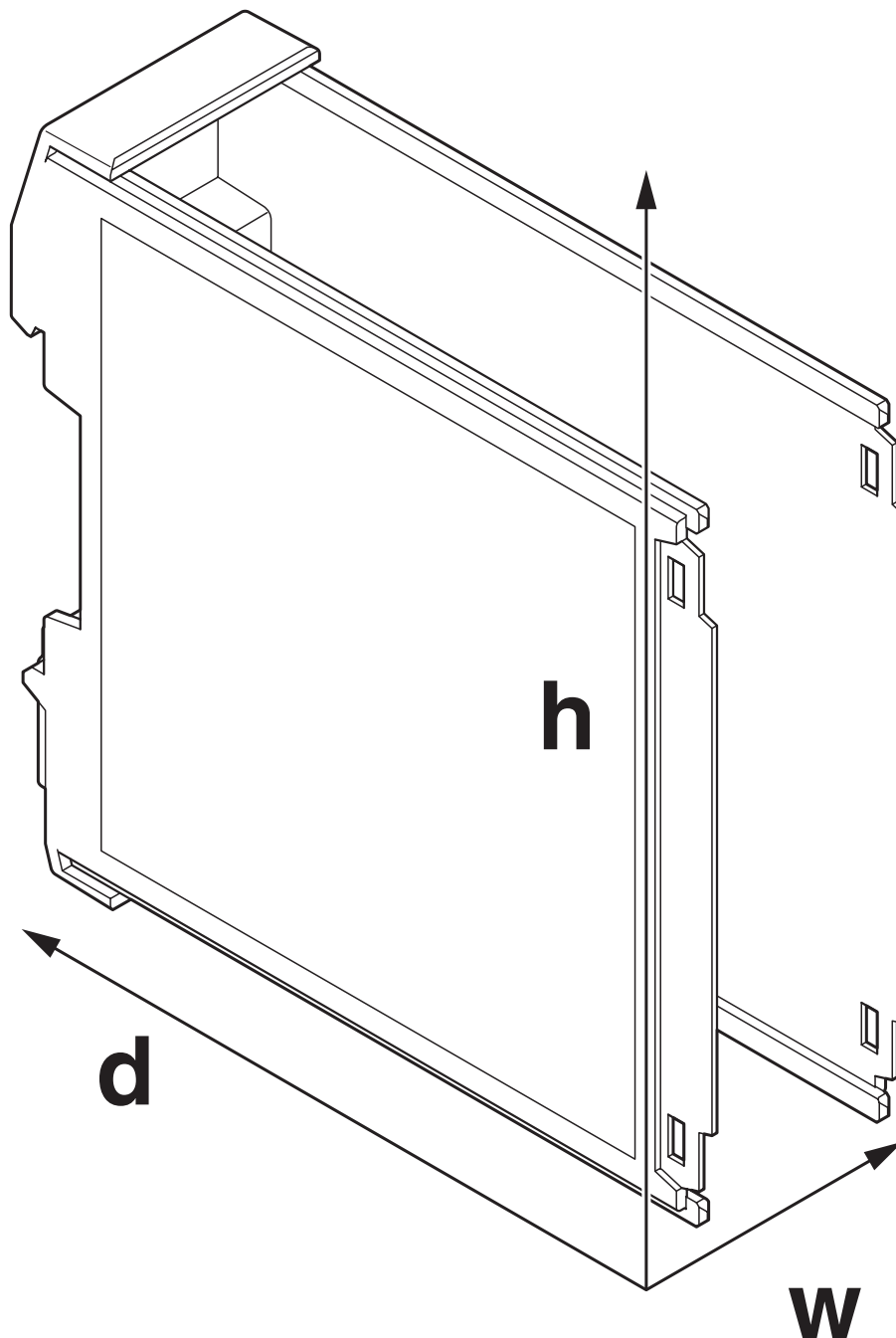
# ICS20-B100X98-V-7035 - Mounting base housing



2203878

<https://www.phoenixcontact.com/us/products/2203878>

Dimensional drawing



Schematic figure for illustrating the item dimensions. The figure is not of the desired product. For further details, refer to the product drawings in the "Downloads" tab.

# ICS20-B100X98-V-7035 - Mounting base housing



2203878

<https://www.phoenixcontact.com/us/products/2203878>

## Classifications

### ECLASS

ECLASS-11.0	27182702
ECLASS-13.0	27190601

### ETIM

ETIM 9.0	EC002779
----------	----------

### UNSPSC

UNSPSC 21.0	31261500
-------------	----------



# ICS20-B100X98-V-7035 - Mounting base housing



2203878

<https://www.phoenixcontact.com/us/products/2203878>

## Environmental product compliance

### EU RoHS

Fulfills EU RoHS substance requirements	Yes, No exemptions
---	--------------------

### China RoHS

Environment friendly use period (EFUP)	EFUP-E
	No hazardous substances above the limits

### EU REACH SVHC

REACH candidate substance (CAS No.)	No substance above 0.1 wt%
-------------------------------------	----------------------------

# ICS20-B100X98-V-7035 - Mounting base housing



2203878

<https://www.phoenixcontact.com/us/products/2203878>

## Mandatory accessories

### ICS20-C100X12-7035 - Upper housing part

2203879

<https://www.phoenixcontact.com/us/products/2203879>

DIN rail housing, Upper part, closed, width: 20 mm, height: 100 mm, depth: 14.35 mm, color: light grey (similar RAL 7035)



---

### ICS20-TL100X12-7035 - Upper housing part

2203880

<https://www.phoenixcontact.com/us/products/2203880>

DIN rail housing, Upper part, with transparent hinged cover, width: 20 mm, height: 101 mm, depth: 14.35 mm, color: light grey (similar RAL 7035)



---

## Accessories

# ICS20-B100X98-V-7035 - Mounting base housing

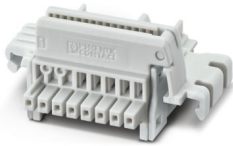
2203878

<https://www.phoenixcontact.com/us/products/2203878>

## TBUS8-20,0-PPPPPPP-7035 - DIN rail bus connectors

2202889

<https://www.phoenixcontact.com/us/products/2202889>



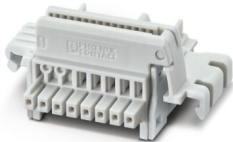
DIN rail connector, color: light grey, nominal current: 6 A (parallel contacts), rated voltage (III/2): 32 V, number of positions: 8, product range: TBUS8-20..., pitch: 2.54 mm, mounting: DIN rail mounting, locking: without, mounting: without, type of packaging: packed in cardboard, Item with gold-plated contacts, bus connectors for connecting with electronics housings, 8 parallel contacts

---

## TBUS8-20,0-PPPPPPPS-7035 - DIN rail bus connectors

2202894

<https://www.phoenixcontact.com/us/products/2202894>



DIN rail connector, color: light grey, nominal current: 6 A, 4 A (parallel contacts) (Serial contacts), rated voltage (III/2): 32 V, number of positions: 8, product range: TBUS8-20..., pitch: 2.54 mm, mounting: DIN rail mounting, locking: without, mounting: without, type of packaging: packed in cardboard, Item with gold-plated contacts, bus connectors for connecting with electronics housings, 7 parallel contacts/1 serial contact

# ICS20-B100X98-V-7035 - Mounting base housing

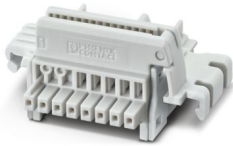
2203878

<https://www.phoenixcontact.com/us/products/2203878>

## TBUS8-20,0-PPPPSS-7035 - DIN rail bus connectors

2202892

<https://www.phoenixcontact.com/us/products/2202892>



DIN rail connector, color: light grey, nominal current: 6 A, 4 A (parallel contacts) (Serial contacts), rated voltage (III/2): 32 V, number of positions: 8, product range: TBUS8-20..., pitch: 2.54 mm, mounting: DIN rail mounting, locking: without, mounting: without, type of packaging: packed in cardboard, Item with gold-plated contacts, bus connectors for connecting with electronics housings, 6 parallel contacts/2 serial contacts

---

## ICS20-F45S-7035 - Connection plate

2203889

<https://www.phoenixcontact.com/us/products/2203889>



DIN rail housing, ICS filler, closed, width: 20 mm, height: 7.25 mm, depth: 44.9 mm, color: light grey (similar RAL 7035)

# ICS20-B100X98-V-7035 - Mounting base housing

2203878

<https://www.phoenixcontact.com/us/products/2203878>

## ICC20-H/3L5,0-7035 - PCB header

2203900

<https://www.phoenixcontact.com/us/products/2203900>



PCB headers, nominal cross section: 2.5 mm<sup>2</sup>, color: light grey, nominal current: 16 A, rated voltage (III/2): 320 V, contact surface: Tin, contact connection type: Pin, number of potentials: 3, number of rows: 1, number of positions: 3, number of connections: 3, product range: ICC...-H/..L5,0, pitch: 5 mm, mounting: Wave soldering, pin layout: Linear pinning, solder pin [P]: 3.5 mm, number of solder pins per potential: 1, Pin connector pattern alignment: Standard, locking: Snap-in locking, mounting: without, type of packaging: Box packaging, Product with pin output on left side

---

## ICC20-H/3R5,0-7035 - PCB header

2203901

<https://www.phoenixcontact.com/us/products/2203901>



PCB headers, nominal cross section: 2.5 mm<sup>2</sup>, color: light grey, nominal current: 16 A, rated voltage (III/2): 320 V, contact surface: Tin, contact connection type: Pin, number of potentials: 3, number of rows: 1, number of positions: 3, number of connections: 3, product range: ICC...-H/..R5,0, pitch: 5 mm, mounting: Wave soldering, pin layout: Linear pinning, solder pin [P]: 3.5 mm, number of solder pins per potential: 1, Pin connector pattern alignment: Standard, locking: Snap-in locking, mounting: without, type of packaging: Box packaging, Product with pin output on right side

# ICS20-B100X98-V-7035 - Mounting base housing



2203878

<https://www.phoenixcontact.com/us/products/2203878>

## ICC20-H/4L3,5-7035 - PCB header

1084014

<https://www.phoenixcontact.com/us/products/1084014>



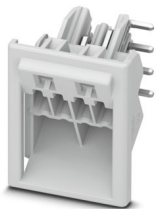
PCB headers, color: light grey, nominal current: 8 A, rated voltage (III/2): 150 V, contact surface: Tin, contact connection type: Pin, number of potentials: 4, number of rows: 1, number of positions: 4, number of connections: 4, product range: ICC..-H/..L3,5, pitch: 3.5 mm, mounting: Wave soldering, pin layout: Linear pinning, solder pin [P]: 3.65 mm, number of solder pins per potential: 1, Pin connector pattern alignment: Standard, locking: Snap-in locking, mounting: without, type of packaging: Box packaging, Product with pin output on left side

---

## ICC20-H/4R3,5-7035 - PCB header

1084012

<https://www.phoenixcontact.com/us/products/1084012>



PCB headers, color: light grey, nominal current: 8 A, rated voltage (III/2): 150 V, contact surface: Tin, contact connection type: Pin, number of potentials: 4, number of rows: 1, number of positions: 4, number of connections: 4, product range: ICC..-H/..R3,5, pitch: 3.5 mm, mounting: Wave soldering, pin layout: Linear pinning, solder pin [P]: 3.65 mm, number of solder pins per potential: 1, Pin connector pattern alignment: Standard, locking: Snap-in locking, mounting: without, type of packaging: Box packaging, Product with pin output on right side

# ICS20-B100X98-V-7035 - Mounting base housing

2203878

<https://www.phoenixcontact.com/us/products/2203878>

## ICS20-F22S-7035 - Connection plate

2203888

<https://www.phoenixcontact.com/us/products/2203888>

DIN rail housing, ICS filler, closed, width: 20 mm, height: 7.25 mm, depth: 22.4 mm, color: light grey (similar RAL 7035)



---

## ICS20-F67S-7035 - Connection plate

1287461

<https://www.phoenixcontact.com/us/products/1287461>

DIN rail housing, ICS filler, closed, width: 20 mm, height: 7.25 mm, depth: 67.3 mm, color: light grey (similar RAL 7035)



# ICS20-B100X98-V-7035 - Mounting base housing

2203878

<https://www.phoenixcontact.com/us/products/2203878>

## ICS20-F22V-7035 - Connection plate

1079494

<https://www.phoenixcontact.com/us/products/1079494>

DIN rail housing, ICS filler, with vents, width: 20 mm, height: 7.25 mm, depth: 22.4 mm, color: light grey (similar RAL 7035)



---

## ICS20-F45V-7035 - Connection plate

1079493

<https://www.phoenixcontact.com/us/products/1079493>

DIN rail housing, ICS filler, with vents, width: 20 mm, height: 7.25 mm, depth: 44.9 mm, color: light grey (similar RAL 7035)





# ICS20-B100X98-V-7035 - Mounting base housing

2203878

<https://www.phoenixcontact.com/us/products/2203878>

## ICS20-F22U-7035 - Connection plate

1053051

<https://www.phoenixcontact.com/us/products/1053051>



DIN rail housing, ICS filler, with USB function cutout, width: 20 mm, height: 7.25 mm, depth: 22.4 mm, color: light grey (similar RAL 7035)

---

## ICS20-F22A-7035 - Connection plate

2203892

<https://www.phoenixcontact.com/us/products/2203892>



DIN rail housing, ICS filler, with antenna function cutout, width: 20 mm, height: 7.25 mm, depth: 22.4 mm, color: light grey (similar RAL 7035)

# ICS20-B100X98-V-7035 - Mounting base housing

2203878

<https://www.phoenixcontact.com/us/products/2203878>

## ICS20-F90S-7035 - Connection plate

1287452

<https://www.phoenixcontact.com/us/products/1287452>

DIN rail housing, ICS filler, closed, width: 20 mm, height: 7.25 mm, depth: 89.8 mm, color: light grey (similar RAL 7035)



---

## ICS20-F67V-7035 - Connection plate

1287448

<https://www.phoenixcontact.com/us/products/1287448>

DIN rail housing, ICS filler, with vents, width: 20 mm, height: 7.25 mm, depth: 67.3 mm, color: light grey (similar RAL 7035)



# ICS20-B100X98-V-7035 - Mounting base housing

2203878

<https://www.phoenixcontact.com/us/products/2203878>

## ICS20-F90V-7035 - Connection plate

1287441

<https://www.phoenixcontact.com/us/products/1287441>

DIN rail housing, ICS filler, with vents, width: 20 mm, height: 7.25 mm, depth: 89.8 mm, color: light grey (similar RAL 7035)



---

## ICS20-F22A6-7035 - Connection plate

1287371

<https://www.phoenixcontact.com/us/products/1287371>

DIN rail housing, ICS filler, with antenna function cutout, width: 20 mm, height: 7.25 mm, depth: 22.4 mm, color: light grey (similar RAL 7035)



# ICS20-B100X98-V-7035 - Mounting base housing



2203878

<https://www.phoenixcontact.com/us/products/2203878>

## ICS20-F45D15-7035 - Connection plate

2203893

<https://www.phoenixcontact.com/us/products/2203893>

DIN rail housing, ICS filler, with D-SUB 15 function cutout, width: 20 mm, height: 7.25 mm, depth: 44.9 mm, color: light grey (similar RAL 7035)



---

## ICS-FE-CONTACT - Functional ground contact

2203904

<https://www.phoenixcontact.com/us/products/2203904>

Functional ground contact, for ICS series electronics housings



# ICS20-B100X98-V-7035 - Mounting base housing



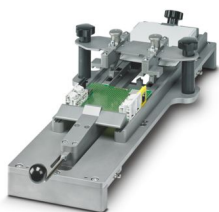
2203878

<https://www.phoenixcontact.com/us/products/2203878>

## ICS MOUNTING DEVICE - Assembly tool

1118354

<https://www.phoenixcontact.com/us/products/1118354>



Equipment for fast, serial-production attachment of printed circuit boards in ICS 20 and ICS 25 housings

---

## TBUS8-20-BRIDGE-7035 - DIN rail bus connectors

1387011

<https://www.phoenixcontact.com/us/products/1387011>

DIN rail bus adapter for ICS, overall width: 20 mm, 8 parallel positions, color: light grey (similar to RAL 7035)



# ICS20-B100X98-V-7035 - Mounting base housing

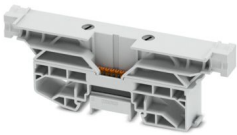
2203878

<https://www.phoenixcontact.com/us/products/2203878>

## TBUS8-SPL-KIT-7035 - DIN rail bus connectors

1488805

<https://www.phoenixcontact.com/us/products/1488805>



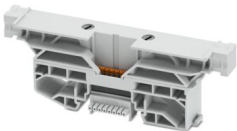
DIN rail connector, nominal cross section: 0.5 mm<sup>2</sup>, nominal current: 6 A (parallel contacts), rated voltage (III/2): 32 V, contact surface: Gold, contact connection type: Socket, number of potentials: 8, number of positions: 8, number of connections: 8, product range: TBUS8..2,54, pitch: 2.54 mm, connection method: Push-in spring connection, mounting: DIN rail mounting, conductor/PCB connection direction: 0 °, locking: Snap-in locking, mounting: without, type of packaging: packed in cardboard

---

## TBUS8-TAP-KIT-7035 - DIN rail bus connectors

1488806

<https://www.phoenixcontact.com/us/products/1488806>



DIN rail connector, nominal cross section: 0.5 mm<sup>2</sup>, nominal current: 6 A (parallel contacts), rated voltage (III/2): 32 V, contact surface: Gold, contact connection type: Socket, number of potentials: 8, number of positions: 8, number of connections: 8, product range: TBUS8..2,54, pitch: 2.54 mm, connection method: Push-in spring connection, mounting: DIN rail mounting, conductor/PCB connection direction: 0 °, locking: Snap-in locking, mounting: without, type of packaging: packed in cardboard

# ICS20-B100X98-V-7035 - Mounting base housing

2203878

<https://www.phoenixcontact.com/us/products/2203878>

## ICC20-TS2,5/3R5,0-7035 - PCB terminal block

1380146

<https://www.phoenixcontact.com/us/products/1380146>



PCB terminal block, nominal current: 24 A, rated voltage (III/2): 300 V, nominal cross section: 2.5 mm<sup>2</sup>, number of potentials: 3, number of rows: 1, number of positions per row: 3, product range: ICC..-TS2,5/..R5,0, pitch: 5 mm, connection method: Screw connection with tension sleeve, screw head form: H1L Slotted Phillips recess, mounting: Wave soldering, conductor/PCB connection direction: 0 °, color: light grey, Pin layout: Linear pinning, number of solder pins per potential: 1, type of packaging: packed in cardboard. Product with pin output on right side

---

## ICC20-TS1,5/4L3,5-7035 - PCB terminal block

1380291

<https://www.phoenixcontact.com/us/products/1380291>



PCB terminal block, nominal current: 16 A, rated voltage (III/2): 150 V, nominal cross section: 1.5 mm<sup>2</sup>, number of potentials: 4, number of rows: 1, number of positions per row: 4, product range: ICC..-TS1,5/..L3,5, pitch: 3.5 mm, connection method: Screw connection with tension sleeve, screw head form: L Slotted, mounting: Wave soldering, conductor/PCB connection direction: 0 °, color: light grey, Pin layout: Linear pinning, number of solder pins per potential: 1, type of packaging: packed in cardboard. Product with pin output on left side

# ICS20-B100X98-V-7035 - Mounting base housing

2203878

<https://www.phoenixcontact.com/us/products/2203878>

## ICC20-TS1,5/4R3,5-7035 - PCB terminal block

1380292

<https://www.phoenixcontact.com/us/products/1380292>



PCB terminal block, nominal current: 16 A, rated voltage (III/2): 150 V, nominal cross section: 1.5 mm<sup>2</sup>, number of potentials: 4, number of rows: 1, number of positions per row: 4, product range: ICC..-TS1,5/..R3,5, pitch: 3.5 mm, connection method: Screw connection with tension sleeve, screw head form: L Slotted, mounting: Wave soldering, conductor/PCB connection direction: 0 °, color: light grey, Pin layout: Linear pinning, number of solder pins per potential: 1, type of packaging: packed in cardboard. Product with pin output on right side

---

## ICC20-TS2,5/3L5,0-7035 - PCB terminal block

1380485

<https://www.phoenixcontact.com/us/products/1380485>



PCB terminal block, nominal current: 24 A, rated voltage (III/2): 300 V, nominal cross section: 2.5 mm<sup>2</sup>, number of potentials: 3, number of rows: 1, number of positions per row: 3, product range: ICC..-TS2,5/..L5,0, pitch: 5 mm, connection method: Screw connection with tension sleeve, screw head form: H1L Slotted Phillips recess, mounting: Wave soldering, conductor/PCB connection direction: 0 °, color: light grey, Pin layout: Linear pinning, number of solder pins per potential: 1, type of packaging: packed in cardboard. Product with pin output on left side



# ICS20-B100X98-V-7035 - Mounting base housing

2203878

<https://www.phoenixcontact.com/us/products/2203878>

## ICC20-TP2,5/3R5,0-7035 - PCB terminal block

1474477

<https://www.phoenixcontact.com/us/products/1474477>



PCB terminal block, nominal current: 18 A, rated voltage (III/2): 300 V, nominal cross section: 2.5 mm<sup>2</sup>, number of potentials: 3, number of rows: 1, number of positions per row: 3, product range: ICC...-TP2,5/..R5,0, pitch: 5 mm, connection method: Push-in spring connection, mounting: Wave soldering, conductor/PCB connection direction: 0 °, color: light grey, Pin layout: Linear pinning, number of solder pins per potential: 1, type of packaging: packed in cardboard. Product with pin output on right side

---

## ICC20-TP1,5/4L3,5-7035 - PCB terminal block

1474478

<https://www.phoenixcontact.com/us/products/1474478>



PCB terminal block, nominal current: 8 A, rated voltage (III/2): 150 V, nominal cross section: 1.5 mm<sup>2</sup>, number of potentials: 4, number of rows: 1, number of positions per row: 4, product range: ICC...-TP1,5/..L3,5, pitch: 3.5 mm, connection method: Push-in spring connection, mounting: Wave soldering, conductor/PCB connection direction: 0 °, color: light grey, Pin layout: Linear pinning, number of solder pins per potential: 1, type of packaging: packed in cardboard. Product with pin output on left side

# ICS20-B100X98-V-7035 - Mounting base housing



2203878

<https://www.phoenixcontact.com/us/products/2203878>

## ICC20-TP1,5/4R3,5-7035 - PCB terminal block

1474479

<https://www.phoenixcontact.com/us/products/1474479>



PCB terminal block, nominal current: 8 A, rated voltage (III/2): 150 V, nominal cross section: 1.5 mm<sup>2</sup>, number of potentials: 4, number of rows: 1, number of positions per row: 4, product range: ICC...-TP1,5/..R3,5, pitch: 3.5 mm, connection method: Push-in spring connection, mounting: Wave soldering, conductor/PCB connection direction: 0 °, color: light grey, Pin layout: Linear pinning, number of solder pins per potential: 1, type of packaging: packed in cardboard. Product with pin output on right side

## ICC20-TP2,5/3L5,0-7035 - PCB terminal block

1474500

<https://www.phoenixcontact.com/us/products/1474500>



PCB terminal block, nominal current: 18 A, rated voltage (III/2): 300 V, nominal cross section: 2.5 mm<sup>2</sup>, number of potentials: 3, number of rows: 1, number of positions per row: 3, product range: ICC...-TP2,5/..L5,0, pitch: 5 mm, connection method: Push-in spring connection, mounting: Wave soldering, conductor/PCB connection direction: 0 °, color: light grey, Pin layout: Linear pinning, number of solder pins per potential: 1, type of packaging: packed in cardboard. Product with pin output on left side

Phoenix Contact 2024 © - all rights reserved  
<https://www.phoenixcontact.com>

Phoenix Contact USA  
586 Fulling Mill Road  
Middletown, PA 17057, United States  
(+717) 944-1300  
[info@phoenixcon.com](mailto:info@phoenixcon.com)