

42745-2 ✓ ACTIVE

TE Internal #: 42745-2

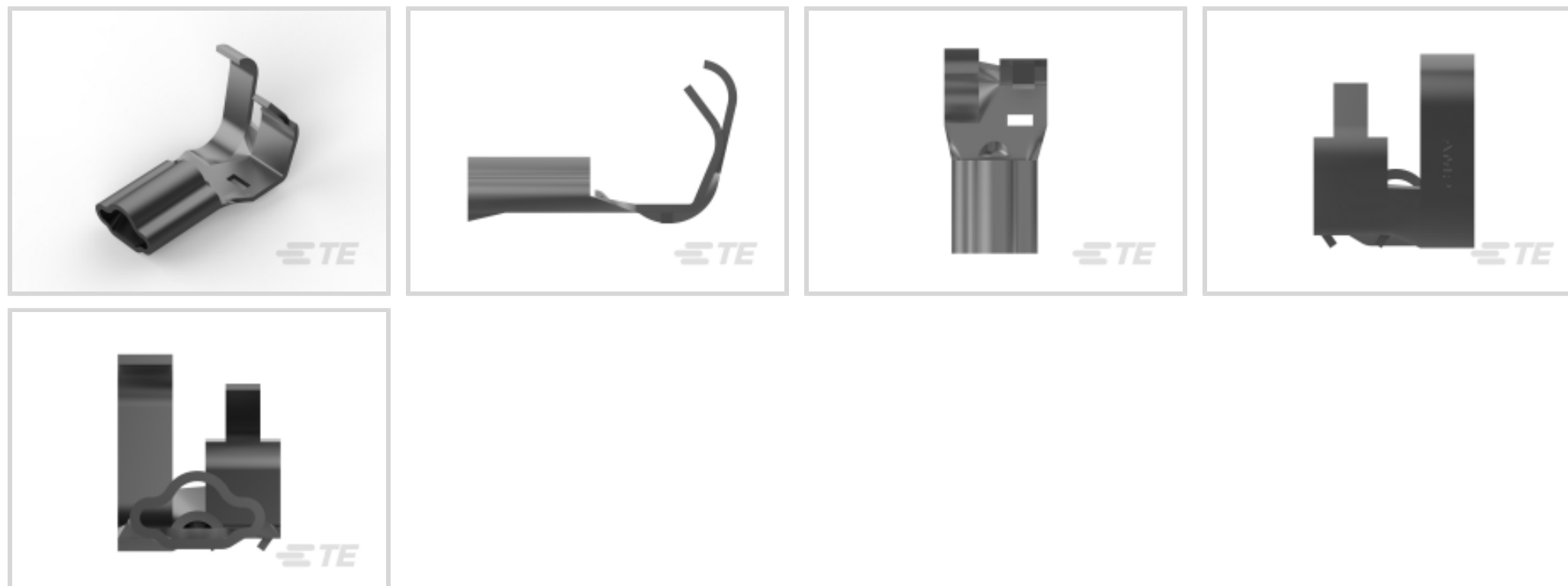
Receptacle, Mating Pin Diameter 2.28 mm [.09 in], 20 – 14 AWG

Wire Size, .5 – 2.27 mm² Wire Size, Crimp Wire Pins, Tabs & Ferrules

[View on TE.com >](#)



Terminals & Splices > Crimp Wire Pins, Tabs & Ferrules



Crimp Wire Terminal Type: **Receptacle**

Mating Pin Diameter: **2.28 mm [.09 in]**

Compatible Insulation Diameter Range: **3.05 – 4.32 mm, 4.32 mm [.12 – .17 in, .17 in]**

Wire Size: **.5 – 2.27 mm²**

Features

Product Type Features

Compatible With Discrete Wire Type

Solid, Stranded

Configuration Features

Compatible With Wire & Cable Type

Discrete Wire

Contact Features

Crimp Wire Terminal Type

Receptacle

Mating Pin Diameter

2.28 mm [.09 in]

Barrel Type

Open

Terminal Plating Material

Tin

Terminal Orientation

Flag

Mechanical Attachment

Wire Insulation Support

With

Dimensions

Compatible Insulation Diameter Range

3.05 – 4.32 mm, 4.32 mm [.12 – .17 in][.17 in]

Wire Size

1021 – 4106 CMA

Terminal Material Thickness

.46 mm [.018 in]



Overall Product Length 13.97 mm[.55 in]

Usage Conditions

| | |
|-----------------------------|---------------------------|
| Insulation Option | Uninsulated |
| Operating Temperature Range | -40 – 85 °C[-40 – 185 °F] |

Packaging Features

| | |
|--------------------|------|
| Packaging Quantity | 5000 |
| Packaging Method | Reel |

Product Compliance

[For compliance documentation, visit the product page on TE.com>](#)

| | |
|---|---|
| EU RoHS Directive 2011/65/EU | Compliant |
| EU ELV Directive 2000/53/EC | Compliant |
| China RoHS 2 Directive MIIT Order No 32, 2016 | No Restricted Materials Above Threshold |
| EU REACH Regulation (EC) No. 1907/2006 | Current ECHA Candidate List: JUNE 2024 (241) Candidate List Declared Against: JUNE 2024 (241) Does not contain REACH SVHC |
| Halogen Content | Low Halogen - Br, Cl, F, I < 900 ppm per homogenous material. Also BFR/CFR/PVC Free |
| Solder Process Capability | Not applicable for solder process capability |

Product Compliance Disclaimer

This information is provided based on reasonable inquiry of our suppliers and represents our current actual knowledge based on the information they provided. This information is subject to change. The part numbers that TE has identified as EU RoHS compliant have a maximum concentration of 0.1% by weight in homogenous materials for lead, hexavalent chromium, mercury, PBB, PBDE, DBP, BBP, DEHP, DIBP, and 0.01% for cadmium, or qualify for an exemption to these limits as defined in the Annexes of Directive 2011/65/EU (RoHS2). Finished electrical and electronic equipment products will be CE marked as required by Directive 2011/65/EU. Components may not be CE marked. Additionally, the part numbers that TE has identified as EU ELV compliant have a maximum concentration of 0.1% by weight in homogenous materials for lead, hexavalent chromium, and mercury, and 0.01% for cadmium, or qualify for an exemption to these limits as defined in the Annexes of Directive 2000/53/EC (ELV). Regarding the REACH Regulation, the information TE provides on SVHC in articles for this part number is based on the latest European Chemicals Agency (ECHA) 'Guidance on requirements for substances in articles' posted at this URL: <https://echa.europa.eu/guidance-documents/guidance-on-reach>

Compatible Parts




TE Part # 41854
PIN 093 (2.36 MM) REC 22-18 AWG TPBR



TE Part # 42428-5
PIN TERMINAL RECEPTACLE 24-20 AWG TPPHBZ



TE Part # 140712-2
PIN .155 DIA REC 18-14 AWG TPBR



TE Part # 60733-1
PIN .090 RECEPTACLE TPPHBZ



TE Part # 150656-1
SHUR PLUG .156 DIA REC 20-16 AWG PB



TE Part # 344469-2
ANGLE PIN RECEPTACLE 20-16 AWG PHBRZ



TE Part # 1742350-1
PIN 2.08 DIA 22-18AWG TPBR



TE Part # 154740-1
PIN .175 DIA REC 20-16AWG PB



TE Part # 60885-2
PIN .055 REC 24-20 AWG TPPHBZ



TE Part # 60376-1
PIN 090 RECEPTACLE 20-14 AWG TPPHBZ



TE Part # 140712-1
TERMINAL SOCKET DIA 4 AWG 14 18 BLANK



TE Part # 160783-6
2,0 MM.DIA PIN REC



TE Part # 687390-5
M HBEAPR140T140OK

Customers Also Bought



TE Part #140814-2
250 FASTON,TAB,TPBR



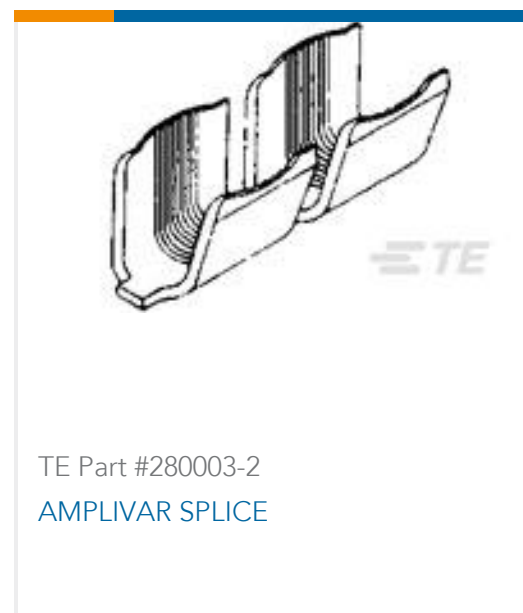
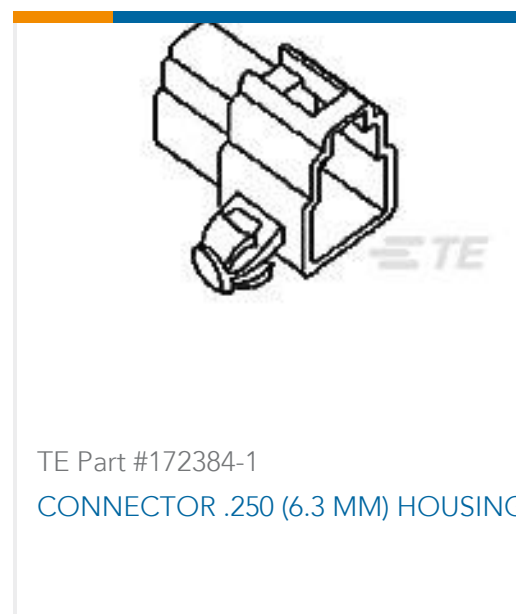
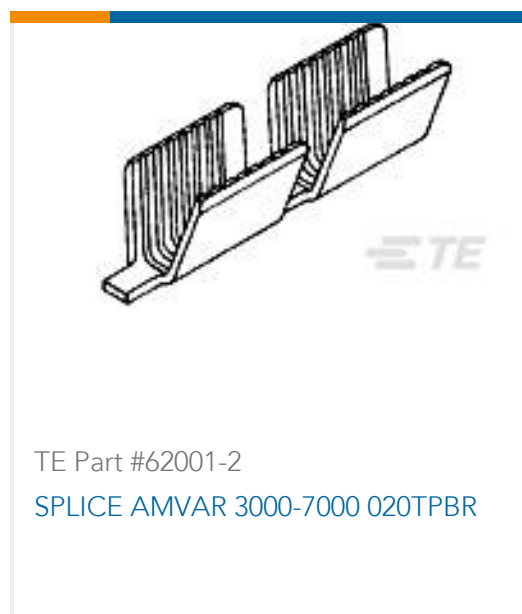
TE Part #62048-2
250 FASTON REC 18-14 AWG TPBR



TE Part #2-520128-2
ULTRA-FAST 250 ASY REC 22-18 AWG TPBR



TE Part #42742-1
250 FASTON FLAG REC 18-12 AWG BR



Documents

Product Drawings

PIN 090 FLAG RECEPTACLE 20-14 AWG TPPHBZ

English

CAD Files

3D PDF

3D

Customer View Model

[ENG_CVM_CVM_42745-2_BR.2d_dxf.zip](#)

English

Customer View Model

[ENG_CVM_CVM_42745-2_BR.3d_igs.zip](#)

English

Customer View Model

[ENG_CVM_CVM_42745-2_BR.3d_stp.zip](#)

English

By downloading the CAD file I accept and agree to the [Terms and Conditions](#) of use.

Product Specifications

Application Specification

English

Pin Receptacle Contact With Closed Seam

English

Agency Approvals

UL Report

English

42745-2

Receptacle, Mating Pin Diameter 2.28 mm [.09 in], 20 – 14 AWG Wire Size, .5 – 2.27 mm² Wire Size, Crimp Wire Pins, Tabs & Ferrules

