

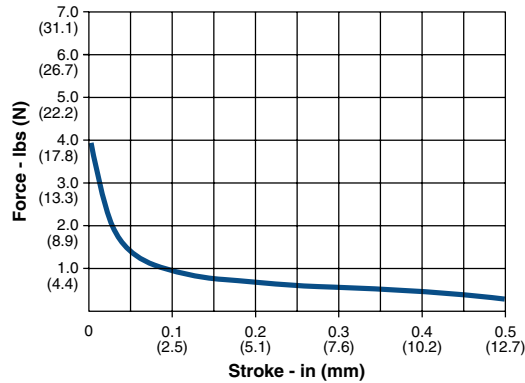
Dormeyer® C Frame Size C33 — AC Operation

Specifications

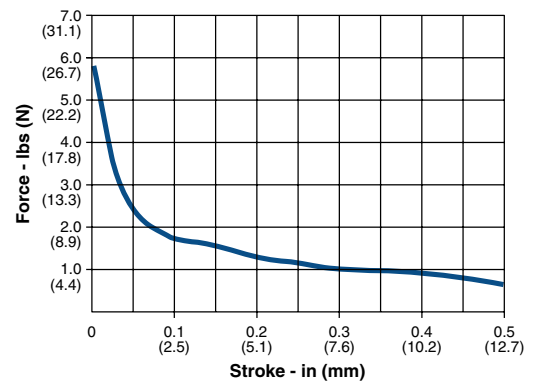
Continuous Duty Cycle	At 20°C ambient temperature
Intermittent Duty Cycle	20% on time, 80% off time. On time not to exceed 3 min. at 20°C ambient temperature
Direction of Load Movement	Pull
Coil Insulation	Class "A": 105°C max. temperature standard. Other temperature classes are available
Coil Termination	1/4"QC
Plunger Weight	0.5 oz. (14.2 g)
Total Weight	3.9 oz. (110.6 g)
Dimensions	See page 29

All catalog products manufactured after April 1, 2006 are RoHS Compliant

AC Continuous Duty



AC Intermittent Duty



Duty Cycle	Continuous – 17 VA		Intermittent – 24 VA	
Model	C33-19-M-33	C33-20-M-33	C33-519-M-33	C33-520-M-33
Volts — 60Hz (50Hz avail.)	120	240	120	240
Coil Resistance ± 10% (Ohms at 25°C)	290	1156	166	652
Amps Seated ± 10%	0.14	0.07	0.26	0.10
Amps at 1/8" ± 10%	0.26	0.13	0.46	0.24
Amps at 1/4" ± 10%	0.32	0.16	0.52	0.28
Amps at 3/8" ± 10%	0.36	0.18	0.60	0.31
Amps at 1/2" ± 10%	0.38	0.19	0.65	0.33

NOTES:

1. All data is typical.
2. Force testing is done with the solenoid in the horizontal position.
3. All data reflects operation with no heatsink.
4. Other coil terminations available.
5. 250V/50 Hz models are also available. Please contact us for ordering information.
6. All specifications subject to change without notice.

How to Order

Select the part number from the table provided. (For example, to order a continuous duty cycle unit rated at 120 VAC, specify C33-19-M-33.

Please see www.dormeyer-solenoids.com (click on Stock Products tab) for our list of stock products available through our distributors.

All specifications subject to change without notice.

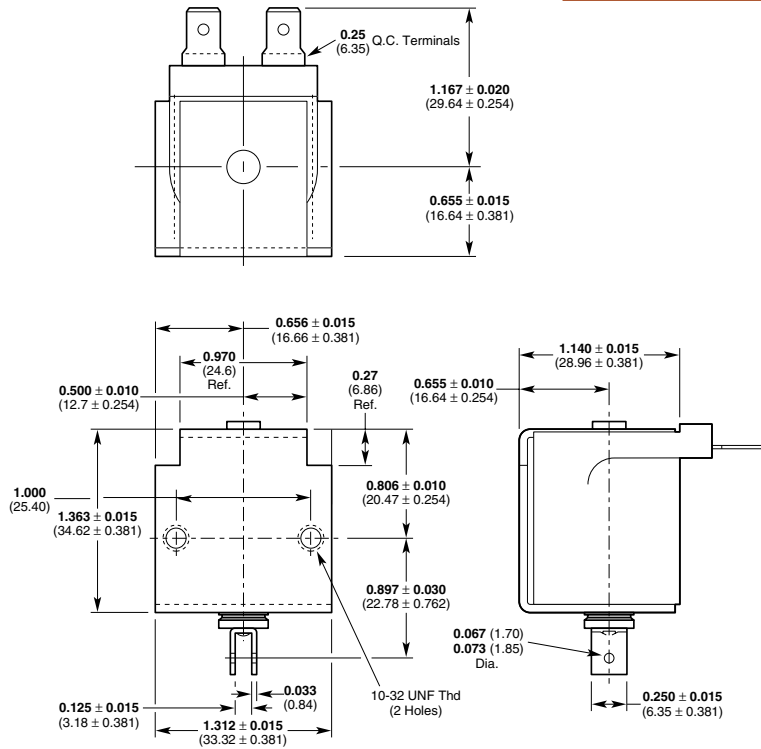
Dormeyer® C Frame Dimensions

Inches (mm)

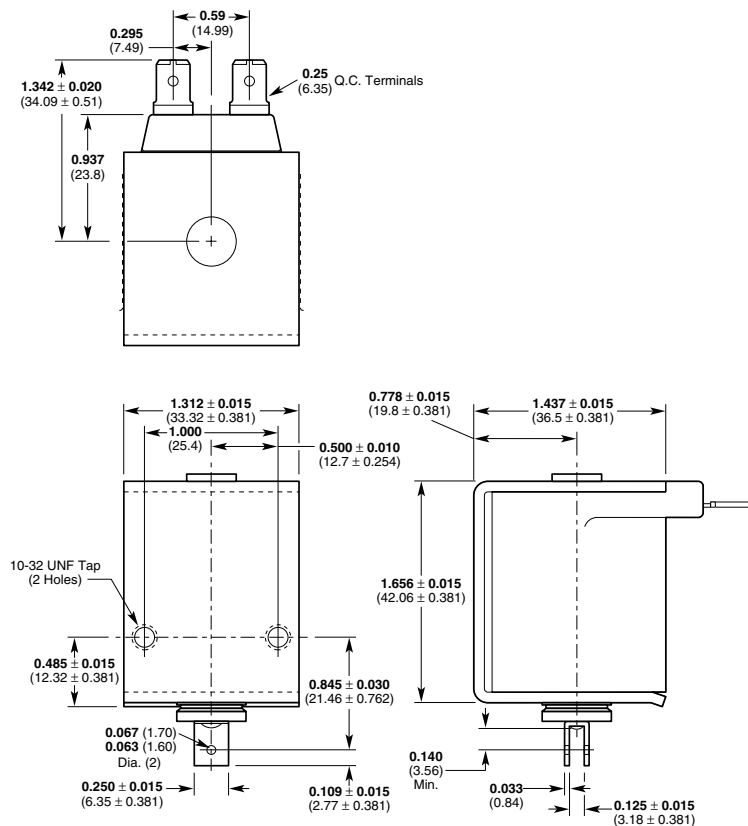
All solenoids are illustrated in energized state

NOTE: Many other metric and American standard threads are available.

C33



C34



All specifications subject to change without notice.