



HL Brackets: AST, AVT, ASE, AVE, FST, FVT, FSE, FVE, FSTL, FVTL, FSTS, FVTS, FSWL, FWL

GLOBAL MODEL (OF RESISTOR)			BRACKET TYPE	
AST012	FST012		101	
AVT012	FVT012		202	
AST020	FST020		101	
AVT020	FVT020		203	
			301	
AST20A	FST20A		101	
AVT20A	FVT20A		204	
			301	
AST010	FST010		101	
AVT010	FVT010		202	
			301	
AST025	FST025		102	
AVT025	FVT025		204	
AST075	FST075		301	
AVT075	FVT075		301	
AST050	FST050	ASE0090	102	
AVT050	FVT050	AVE0090	204	
		FSE0090	302	
		FVE0090	302	
AST025B	FST025B		102	
AVT025B	FVT025B		205	
			301	
AST25A	FST25A	ASE0050	102	
AVT25A	FVT25A	AVE0050		
AST50A	FST50A	FSE0050		
AVT50A	FVT50A	FVE0050		
AST75A	FST75A	ASE0110		
AVT75A	FVT75A	AVE0110		
AST100	FST100	FSE0110		
AVT100	FVT100	FVE0110		
ASE0100	FSE0100	ASE0120		
AVE0100	FVE0100	AVE0120		
ASE0180	FSE0180	FSE0120		
AVE0180	FVE0180	FVE0120		
AST50B	FST50B			102
AVT50B	FVT50B			208
			302	
ASE0500	FSE0500		103	
AVE0500	FVE0500		302	
AST080	FST080	ASE0140	103	
AVT080	FVT080	AVE0140	206	
		FSE0140	302	
		FVE0140	302	

Notes

- Each bracket assembly contains all of the hardware needed to mount one component
- HEIKIT type 100, 200, and 300 series include resistor size in global part number
- Tolerances on

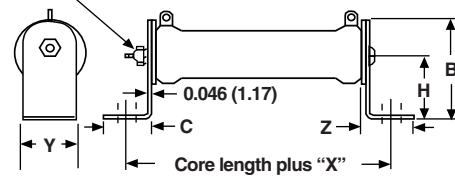
FRACTIONS	DECIMALS	ANGLES	MILLIMETERS
± 1/64	xx ± 0.06	0°30'	xx ± 1.40
	xxx ± 0.005		xxx ± 0.127
	xxxx ± 0.0005		xxxx ± 0.0127

Unless otherwise specified

DIMENSIONS in inches (millimeters)

Horizontal Thru-Bolt

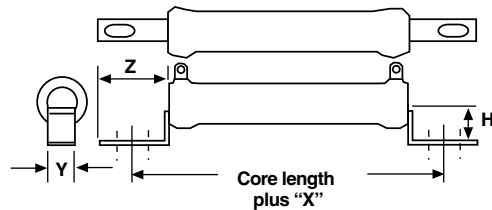
(Threaded rod supplied as standard on 104 bracket sizes.)



RoHS
COMPLIANT
HALOGEN
FREE
Available
GREEN
(5-2008)
Available

BRACKET TYPE	X	Y	Z	H	MOUNTING SLOT	C	B
101	1.063 (26.99)	0.500 (12.70)	0.859 (21.83)	1.000 (25.40)	0.219 x 0.438 (5.56 x 11.11)	0.750 (19.05)	1.375 (34.93)
102	1.063 (26.99)	0.750 (19.05)	0.859 (21.83)	1.250 (31.75)	0.219 x 0.438 (5.56 x 11.11)	0.750 (19.05)	1.750 (44.45)
103	1.063 (26.99)	1.250 (31.75)	1.000 (25.40)	1.500 (38.10)	0.281 x 0.563 (7.14 x 14.29)	0.927 (23.55)	2.125 (53.98)
104	1.952 (49.58)	2.500 (63.5)	1.478 (37.54)	3.000 (76.2)	open slot x 0.406 (open slot x 10.31)	1.375 (34.93)	4.250 (107.95)

Push-In

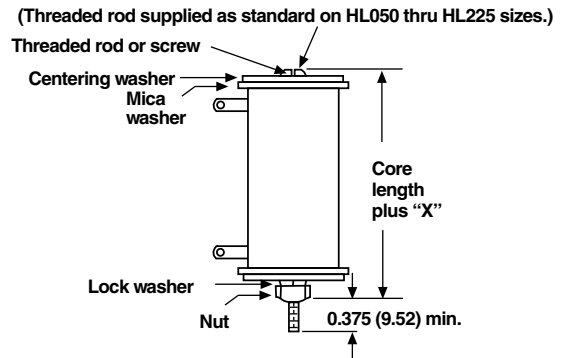


BRACKET TYPE	X	H	Y	Z	HOLE (DIA.)
202	0.478 (12.14)	0.250 (6.35)	0.125 (3.175)	0.375 (9.53)	0.170 (4.32)
203	0.583 (14.80)	0.580 (14.73)	0.188 (4.78)	0.460 (11.68)	0.115 (2.92)
204	0.700 (17.78)	0.578 (14.68)	0.240 (6.10)	0.469 (11.91)	0.156 (3.96)
205	0.846 (21.49)	0.800 (20.32)	0.375 (9.53)	0.600 (15.24)	0.344 x 0.213 (8.74 x 5.41)
206	0.846 (21.49)	0.800 (20.32)	0.375 (9.53)	0.600 (15.24)	0.344 x 0.213 (8.74 x 5.41)
207	0.700 (17.78)	1.125 (28.58)	0.500 (12.7)	0.688 (17.48)	0.250 x 0.188 (6.35 x 4.78)
208	0.846 (21.49)	0.800 (20.62)	0.375 (9.53)	0.600 (15.24)	0.343 x 0.213 (8.71 x 5.46)

CONTINUED...

GLOBAL MODEL (OF RESISTOR)			BRACKET TYPE
AST130 AVT130	FST130 FVT130	ASE0155 AVE0155 FSE0155 FVE0155	103 207 302
AST160 AVT160 AST175 AVT175 AST200 AVT200 AST225 AVT225 ASE0300 AVE0300	FST160 FVT160 FST175 FVT175 FST200 FVT200 FST225 FVT225 FSE0300 FVE0300	ASE0375 AVE0375 FSE0375 FVE0375 ASE0420 AVE0420 FSE0420 FVE0420	103 207 303
ASE0750 AVE0750 ASE1000 AVE1000 ASE1500 AVE1500	FSE0750 FVE0750 FSE1000 FVE1000 FSE1500 FVE1500	ASE2000 AVE2000 FSE2000 FVE2000	104 303
AST005 AVT005 FSTL05 FSTS05 FSWL05 FSTL08 FSTS08 FSWL08	FST005 FVT005 FVTL05 FVTS05 FVWL05 FVTL08 FVTS08 FVWL08	FSTL10 FSTS10 FSWL10 FVTL10 FVTS10 FVWL10 FSTL12 FSTS12 FSWL12 FVTL12 FVTS12 FVWL12	202
FSTL1A FSTS1A FSWL1A FSTL2A FSTS2A FSWL2A FSTL15 FSTS15 FSWL15	FVTL1A FVTS1A FVWL1A FVTL2A FVTS2A FVWL2A FVTL15 FVTS15 FVWL15		204

Vertical Thru-Bolt



BRACKET TYPE	X (APPROXIMATE)	THREAD
301	0.438 (11.11)	8-32
302	0.271 (6.88)	10-32
303	0.500 (12.70)	10-32

Notes

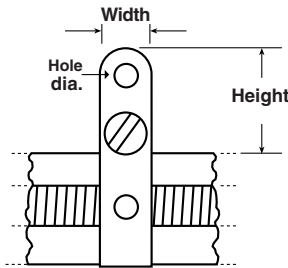
- Each bracket assembly contains all of the hardware needed to mount one component
- HEIKIT type 100, 200, and 300 series include resistor size in global part number

Material categorization: for definitions of compliance please see www.vishay.com/doc?99912

GLOBAL PART NUMBER INFORMATION																	
Global Part Numbering example: HEIKIT201200E29 (preferred part number format)																	
H	E	I	K	I	T	2	0	1	2	0	0	E	2	9			
HEIKIT (6 digits)						BRACKET TYPE (3 digits)			RESISTOR SIZE (3 digits or 4 digits)				TERMINAL FINISH (3 digits)		SPECIAL (up to 3 digits)		
						101 205 102 206 103 207 104 208 202 301 203 302 204 303			3 or 4 digits following resistor family in global model				E29 = lead (Pb)-free		(dash number) from 1 to 999 as applicable		



AST / AVT SLIDERS - DIMENSIONS in inches (millimeters)



GLOBAL PART NUMBER (RoHS COMPLIANT)	HISTORICAL HUNTINGTON ELECTRIC PART NUMBER	GLOBAL MODEL (OF RESISTOR)	DIMENSIONS		
			WIDTH	HEIGHT	HOLE DIAMETER
HEI75008602E29	T1011-5	AST010 / AVT010 AST020 / AVT020 AST20A / AVT20A	0.187 (4.75)	0.516 (13.11)	0.125 (3.18)
HEI75008603E29	T1011-1	AST025 / AVT025 AST25B / AVT25B AST050 / AVT050 AST50A / AVT50A AST075 / AVT075 ASE0050 / AVE0050 ASE0090 / AVE0090	0.250 (6.35)	0.719 (18.26)	0.141 (3.58)
HEI75008604E29	T1011-3	AST25A / AVT25A AST50B / AVT50B AST75A / AVT75A AST100 / AVT100	0.250 (6.35)	0.844 (21.44)	0.141 (3.58)
HEI75008605E29	T1011-6	AST080 / AVT080 AST130 / AVT130 AST160 / AVT160 AST175 / AVT175 AST200 / AVT200 AST225 / AVT225	0.312 (7.92)	0.797 (20.24)	0.170 (4.32)
HEI75025201E29 HEI75025209E29	-	ASE0100 / AVE0100 ASE0110 / AVE0110 ASE0120 / AVE0120 ASE0180 / AVE0180	0.312 (7.92)	0.891 (22.63)	0.196 (4.98)
HEI75025203E29	-	ASE0140 / AVE0140 ASE0155 / AVE0155 ASE0240 / AVE0240	0.500 (12.70)	0.891 (22.63)	0.265 (6.73)
HEI75025206E29	-	ASE0300 / AVE0300 ASE0375 / AVE0375 ASE0420 / AVE0420	0.312 (7.92)	0.891 (22.63)	0.196 (4.98)
HEI75025214E29 HEI75025208E29	-	ASE0500 / AVE0500	0.500 (12.70)	0.891 (22.63)	0.265 (6.73)
HEI75025204E29 HEI75025207E29	-	ASE0750 / AVE0750 ASE1000 / AVE1000 ASE1500 / AVE1500 ASE2000 / AVE2000	0.500 (12.70)	0.891 (22.63)	0.265 (6.73)

GLOBAL PART NUMBER INFORMATION																
Global Part Numbering example: HEI75008604E29																
H	E	I	7	5	0	0	8	6	0	4	E	2	9			
BRAND (3 digits)			MODEL (8 digits)					PACKAGING CODE (3 digits)			SPECIAL (up to 3 digits)					
HEI			75008602 75025203 75008603 75025206 75008604 75025214 75008605 75025208 75025201 75025204 75025209 75025207					E29 = lead (Pb)-free			(dash number) from 1 to 999 as applicable					

Mouser Electronics

Authorized Distributor

Click to View Pricing, Inventory, Delivery & Lifecycle Information:

[Vishay:](#)

[HEIKIT101012E29](#) [HEIKIT1020050E29](#) [HEIKIT1020100E29](#) [HEIKIT302050E29](#) [HEIKIT204050E29](#)
[HEIKIT2060120E29](#) [HEIKIT206080E29](#) [HEIKIT206100E29](#) [HEIKIT20650AE29](#) [HEIKIT301020E29](#)
[HEIKIT102025E29](#) [HEIKIT1030225E29](#) [HEIKIT1030300E29](#) [HEIKIT202010E29](#) [HEIKIT203020E29](#)
[HEIKIT204025E29](#) [HEIKIT1030300E293](#)