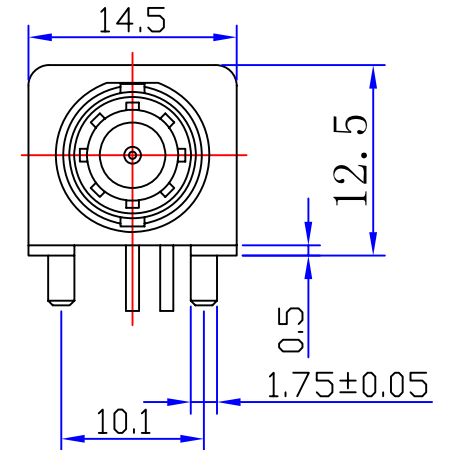
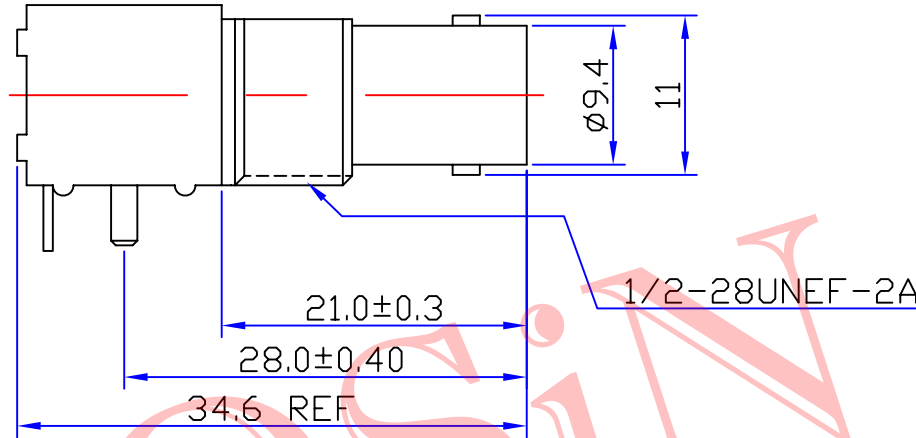
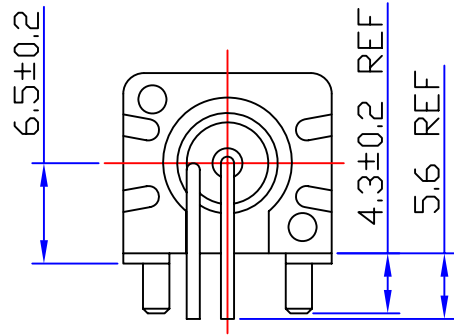


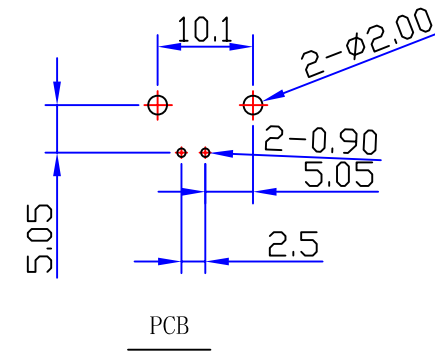
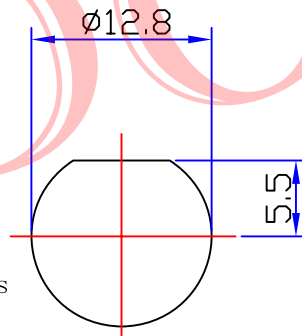


Product NO.		DOSIN-801-0038		
REV	DESCRIPTION	DWN	DATE	APPROVEN
A	First issue	JIM	2012/11/02	John kine



Specifications

Impedance: 50 Ohms
 Frequency Range: DC~3G
 VSWR: 1.3MAX
 Working Voltage: 500V rms @ sea level
 Insulation Resistance: 5000 Ohms min
 Temperature Range: -55°C TO +155°C
 Relative Temperature: ≤95% (40° C ± 2° C)
 Drawings products are in line with ROHS standards



1	Body	Zinc	NI:80-120u"
2	Center contact	Brass	AU:1u"
3	Lead	Iron	AU:1u"
4	Fixed footrest	Iron	NI:80-120u"
5	Insulator	POM	White
6	Fixed mount	ABS	White
7	Washer	Brass	NI:80-120u"
8	Hex nut	Brass	NI:80-120u"
9			
10			
NO	Component Number	Material	Finish

NOTE:
 DRAWN
 Zelin. Zhang
 2012/11/
 10
 CHECKED
 APPROVALS
 John Kine
 12/04.2012

Tolerance
 0-6 ±0.20
 6-30 ±0.30
 30-120 ±0.5
 Angular ±2°
 View

 UNIT
 MM
 SCALE
 1:1

DOSIN Dosin Industrial(H.K)Co.Ltd
 E-mail: dosin2005@163.com
 dosin2005@dosin-china.com
 Web: http://www.dosinconn.com
 东莞市德索五金电子制品有限公司
 TEL: (0086)769-81153906
 FAX: (0086)769-81875836
 Dosin Hardware Electronics Co.,Ltd
 Name: BNC WHITE JACK CONNECTOR (12.5MM)
 SIZE A Product NO. DOSIN-801-0038 REV B
 DateTime 2012/11/02 CAD FILE D/company drawings/BD SHEET: 1 OF 1