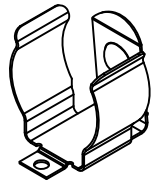
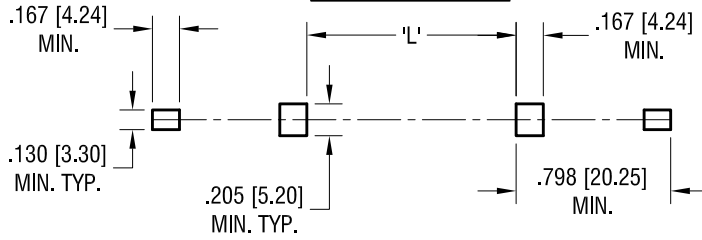


THIS DOCUMENT IS THE PROPERTY OF KEYSTONE ELECTRONICS CORP. AND SHALL NOT BE REPRODUCED, DISTRIBUTED OR USED AS A BASIS FOR MANUFACTURE WITHOUT PRIOR WRITTEN PERMISSION FROM KEYSTONE ELECTRONICS CORP.

ACTUAL SIZE

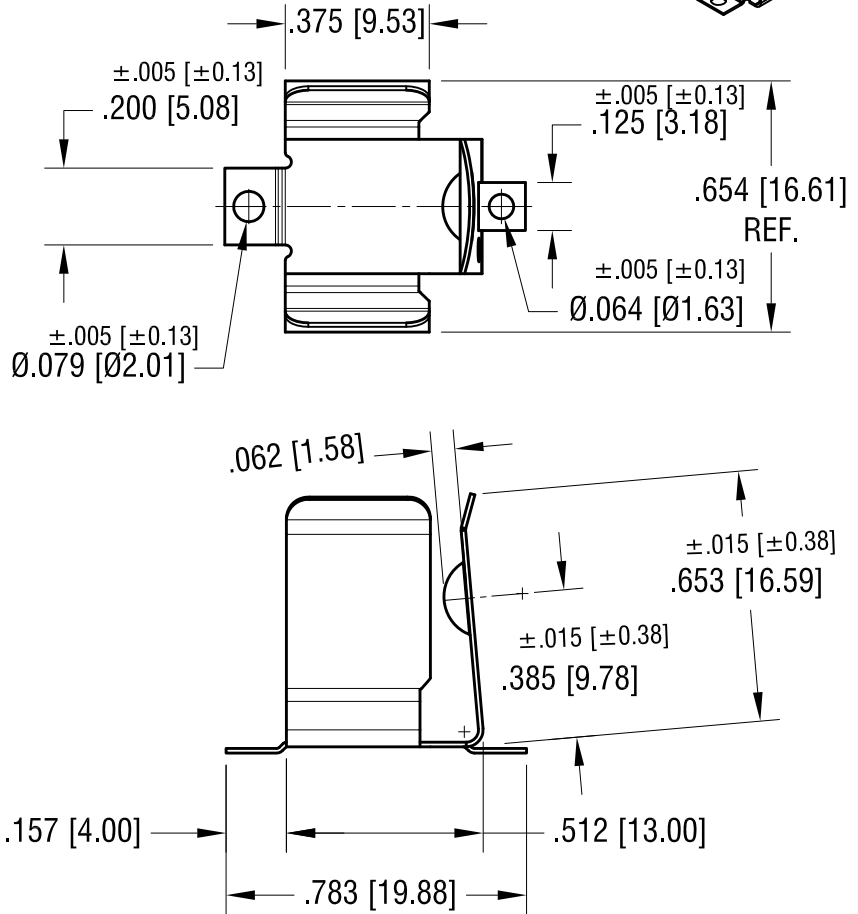


MOUNTING LAYOUT



BATTERY	'L'
CR123A	.144 [3.66] MAX.
18350	.197 [5.00] MAX.
18650 *	2.64 [67.00] MAX.
17500	2.05 [52.00] MAX.

* FOR BATTERIES WITH BUILT-IN CIRCUIT PROTECTION (67mm LONG)



NOTE:

1. HEAT TREAT TO SPRING TEMPER

PCB PROTECTION CIRCUITS ARE REQUIRED WHEN USED WITH LITHIUM-ION BATTERIES

DATE	DESCRIPTION	REV.
9.14.23	MTG. SOLDER CONTACTS REMOVED CHANGE AS PER ECN 23-154	C
8.15.22	B1 WAS .060, ADD RELIEF B2 CHANGE AS PER ECN 22-141	B
6.14.21	REMOVE HOLE FOR WIRE CHANGE AS PER ECN 21-053	A

KEYSTONE ELECTRONICS CORP.			
www.keyelco.com • NEW HYDE PARK, NY 11040 • Tel (516) 328-7500			
PART NAME		16mm - 19mm SM BATTERY CLIP	
MATERIAL			
.012 [0.30] TH'K ANNEALED SPRING STEEL			
FINISH		DRN BY	DATE
TIN NICKEL PLATE		NT	1.17.18
		APP'D	SCALE
		RH	2X
TOLERANCES	INCH	[MM]	CODE
DECIMAL	± .010	[± 0.25]	C
ANGULAR	± 2°		
UNLESS OTHERWISE SPECIFIED			
DWG NO.			254