

## NS1535/NS3035

### Blackhawk Noise Suppressor

The Blackhawk Noise Suppressor series feature a high impact molded plastic housing with components encapsulated in a waterproof, vibration proof compound. Heavy gauge wire and a high current rating make them ideal for the two-way radio, cellular, marine, C.B., or car audio dealer.

This quality product is a general purpose lowpass filter, used to reduce power line noise in both Audio Frequency and RF ranges. Noise is commonly generated by the alternator, ignition system, voltage regulator, and other accessories in the vehicle.

Alternator whine is one of the most common problems. It can be identified as a varying pitch corresponding to engine speed that can find its way to either the receiving or transmitting end of the radio. Accessories such as AC fans and electronic fuel pumps may generate RF interference that can be significantly reduced with the BlackHawk Noise Suppressor.

This product can be used in heavy equipment and marine 24 Volt systems to protect sensitive devices from large transient spikes which are commonly generated by the ignition system. Convenient mounting holes are located on the box for easy installation in the vehicle.

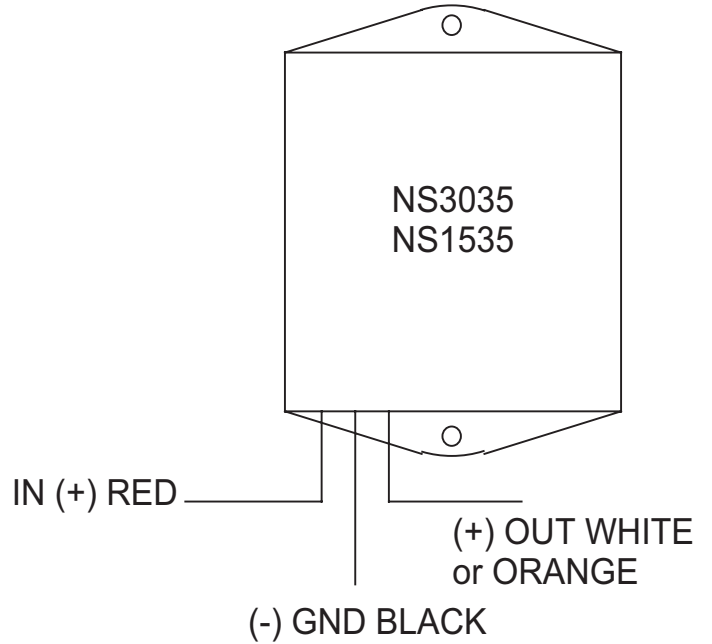
#### ELECTRICAL SPECIFICATIONS

Part Number	NS1535	NS3035
Max Supply Voltage	35 Volts DC	35 Volts DC
Max Current	≤15 Amps 50% Duty Cycle 5 Mins On / 5 Mins Off 12 Amps Continuous	≤30 Amps 50% Duty Cycle 5 Mins On / 5 Mins Off 20 Amps Continuous
Max Voltage Drop	.54 V @ 15 Amps	.50 V @ 30 Amps
Audio Frequency Cut-Off	287 Hz	287 Hz
Attenuation	1 KHz 22dB @ 7A 19db @15A 3KHz 41dB @ 7A 38 dB @ 15A	1 KHz 22dB @ 15A 19db @ 30A 3KHz 41dB @ 15A 38 dB @ 30A

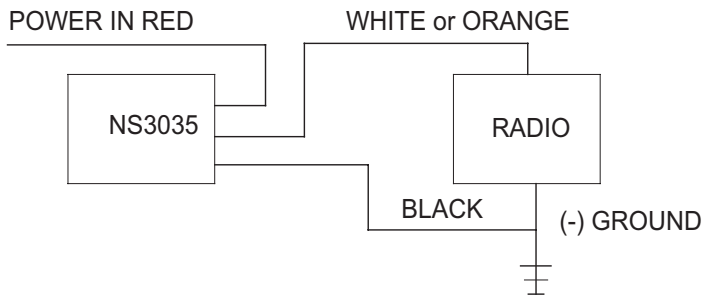
**CAUTION: DO NOT Reverse the polarity on this device. This will cause permanent damage and void your product warranty!**

## Installation

For Safety, it is recommended that the positive terminal of the battery be disconnected during installation. The noise filter should be hooked up as close to the device (radio, converter, etc.) as possible.

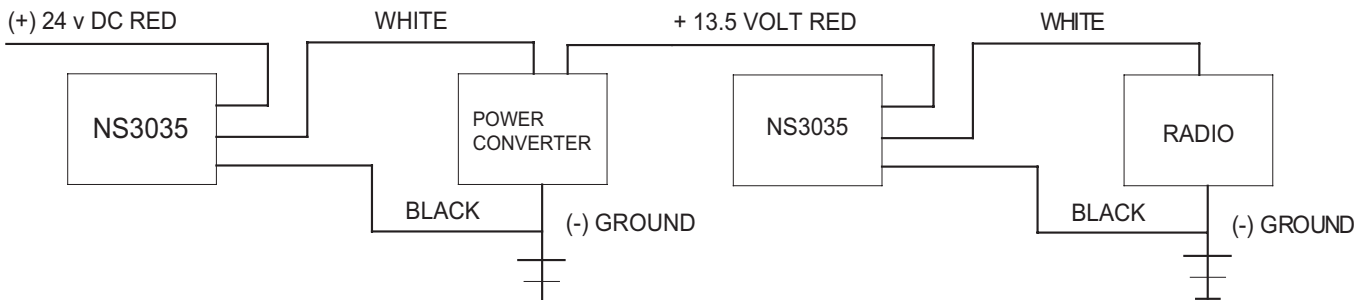


Wiring:



## Note

By installing two filters between the battery and the radio, the filtration is increased. At 1 KHz the attenuation in the doubled circuit would be 40dB as compared to 20dB with a single filter.



---

## TE TECHNICAL SUPPORT CENTER

USA:	+1 (800) 522-6752
Canada:	+1 (905) 475-6222
Mexico:	+52 (0) 55-1106-0800
Latin/S. America:	+54 (0) 11-4733-2200
Germany:	+49 (0) 6251-133-1999
UK:	+44 (0) 800-267666
France:	+33 (0) 1-3420-8686
Netherlands:	+31 (0) 73-6246-999
China:	+86 (0) 400-820-6015

## te.com

TE, and TE connectivity (logo) are trademarks owned or licensed by the TE Connectivity Ltd. family of companies. All other logos, products and/or company names referred to herein might be trademarks of their respective owners.

The information given herein, including drawings, illustrations and schematics which are intended for illustration purposes only, is believed to be reliable. However, TE Connectivity makes no warranties as to its accuracy or completeness and disclaims any liability in connection with its use. TE Connectivity's obligations shall only be as set forth in TE Connectivity's Standard Terms and Conditions of Sale for this product and in no case will TE Connectivity be liable for any incidental, indirect or consequential damages arising out of the sale, resale, use or misuse of the product. Users of TE Connectivity products should make their own evaluation to determine the suitability of each such product for the specific application.

TE Connectivity warrants to the original end user customer of its products that its products are free from defects in material and workmanship. Subject to conditions and limitations TE Connectivity will, at its option, either repair or replace any part of its products that prove defective because of improper workmanship or materials. This limited warranty is in force for the useful lifetime of the original end product into which the TE Connectivity product is installed. Useful lifetime of the original end product may vary but is not warranted to exceed one (1) year from the original date of the end product purchase.

©2023 TE Connectivity. All Rights Reserved.

01/ 3 Original