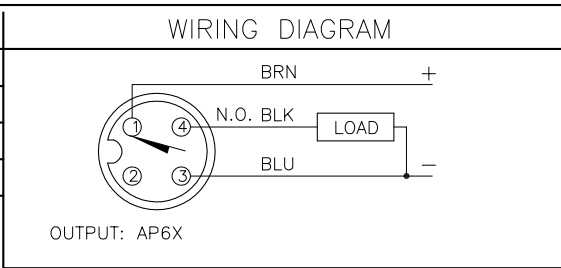
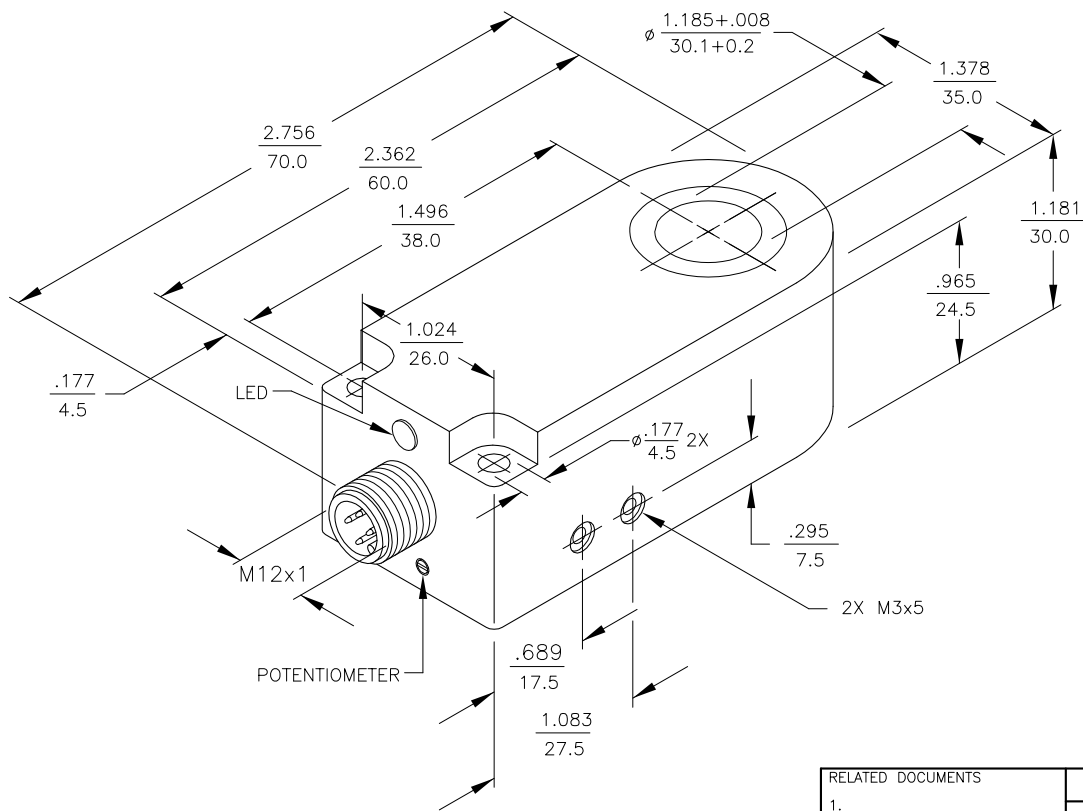


TARGET SPECIFICATIONS	
MINIMUM TARGET DIAMETER	≥ 3.0 mm
MINIMUM TIME BETWEEN LEADING EDGE OF TARGETS	105.0 ms
MINIMUM TARGET VELOCITY	≥ 0.1 M/s
MAXIMUM TARGET VELOCITY	≤ 50 M/s



SPECIFICATIONS	
OPERATING VOLTAGE	10–30 VDC
RIPPLE	≤ 10%
VOLTAGE DROP ACROSS CONDUCTING SENSOR	≤ 2.2 V at 200 mA
OUTPUT FUNCTION—DYNAMIC	NORMALLY OPEN 3–WIRE DC SELF–CONTAINED
PULSE DURATION	100 ms
SWITCHING FREQUENCY	8 Hz MAX.
TTL COMPATIBLE	NO
SHORT–CIRCUIT PROTECTED	YES
TRIGGER CURRENT FOR OVERLOAD PROTECTION	≥ 270 mA
CONTINUOUS LOAD CURRENT	≤ 200 mA
LEAKAGE (OFF–STATE) CURRENT	< 10μ A
NO–LOAD CURRENT	5.5–9.5 mA
TIME DELAY BEFORE AVAILABILITY	≤ 120 ms
POWER–ON EFFECT PROTECTION	INCORPORATED
REVERSE POLARITY PROTECTION	INCORPORATED
WIRE–BREAK PROTECTION	INCORPORATED
PROTECTION AGAINST TRANSIENTS	2 kV, 1 ms, 1 kΩ
OPERATING TEMPERATURE	–25°C to +70°C (–13°F to +158°F)
ENCLOSURE	MEETS NEMA 1, 3, 4, 6, 13 AND IEC IP67
SHOCK	30 g, 11 ms
VIBRATION	55 Hz, 1 mm AMPLITUDE (IN ALL 3 PLANES)
LED FUNCTION	RED: OUTPUT ENERGIZED
RING DIAMETER	30.1 mm = 1.185" (NOMINAL)
MATING PLUGS & CABLES	4–PIN "EUROFAST" CONSTRUCTION
SHIELDED	YES



RELATED DOCUMENTS	3RD ANGLE PROJECTION	THIS DRAWING IS PROPERTY OF TURCK INC. USE OF THIS DOCUMENT WITHOUT WRITTEN PERMISSION IS PROHIBITED.	3000 CAMPUS DRIVE MINNEAPOLIS, MN 55441 1–800–544–7769 (763) 553–7300 (763) 553–0708 fax turck.com	
1. 2. 3. 4.			DRFT RJP	DATE 9/15/92
MATERIAL HOUSING: PA 12–GF30 PLASTIC SENSING RING: POM PLASTIC	ALL DIMENSIONS DISPLAYED ON THIS DRAWING ARE FOR REFERENCE ONLY	DSGN	SCALE NONE	IDENTIFICATION NO. M1404500
FINISH	CONTACT TURCK FOR MORE INFORMATION	UNIT OF MEASUREMENT INCH [MILLIMETER]		REV B

B	UPDATE TO CURRENT TITLEBLOCK	RDS	07/16/02	5504
REV	DESCRIPTION	BY	DATE	ECO NO.