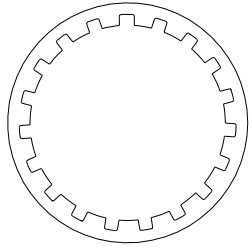
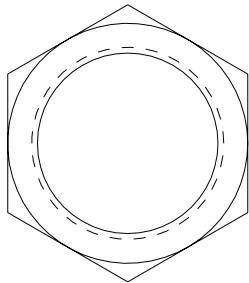


FOR REFERENCE ONLY

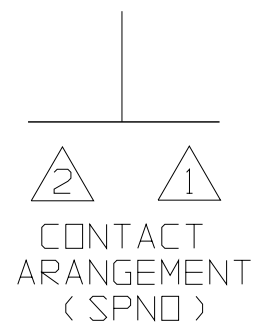
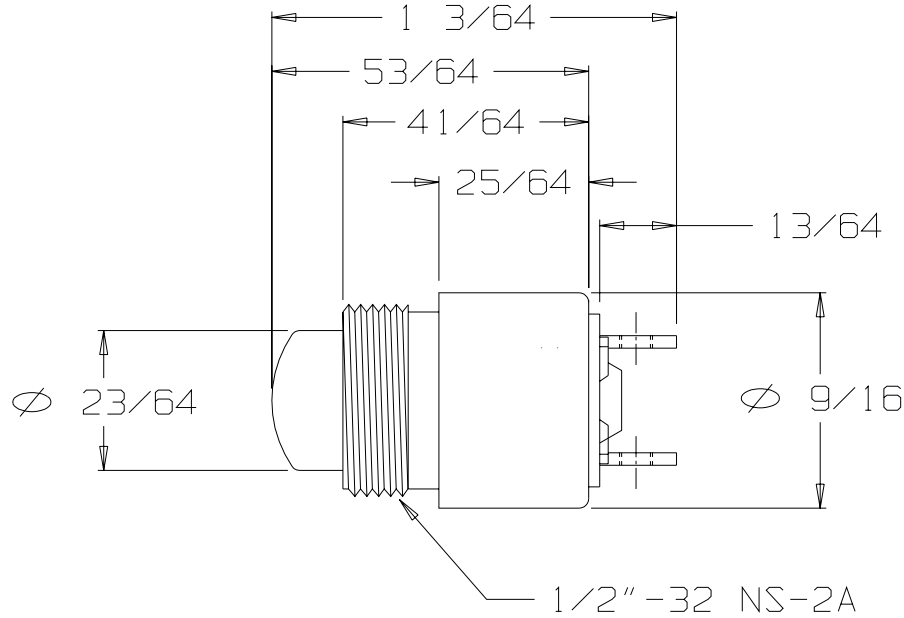
A NX201002B-30



SW-200-27
1/2" INTERNAL TOOTH
LOCKWASHER
(1)



SW-200-26
1/2"-32 NUT
(1)



STANDARD MOMENTARY SWITCH
SPNO - SINGLE POLE NORMALLY OPEN
BUTTON #2, COLOR BLACK
WITH NUT AND LOCKWASHER

THIS DOCUMENT CONTAINS PROPRIETARY INFORMATION OF NEXUS, INCORPORATED AND SUCH INFORMATION MAY NOT BE DISCLOSED TO OTHERS FOR ANY PURPOSE OR USED FOR ANY PURPOSE WITHOUT THE WRITTEN CONSENT OF NEXUS.

DWN. BY	EWT	DATE	05/18/05	MATERIAL	N/A
CHECKED BY		DATE		FINISH	N/A
APPR. BY		DATE		WEIGHT	SCALE 2:1
UNLESS OTHERWISE SPECIFIED DIMENSIONS ARE IN INCHES TOLERANCES ON .XX .XXX ANGLES _____ ±.003 ±.5°				TITLE	
				SWITCH MOMENTARY	
A INITIAL RELEASE				DO NOT SCALE DWG.	SHEET 1 OF 1
LET.	REVISION	CN #	DATE	CHK.	

NEXUS
STAMFORD, CONN

SIZE **A** DWG. NO. NX201002B-30

Mouser Electronics

Authorized Distributor

Click to View Pricing, Inventory, Delivery & Lifecycle Information:

[Amphenol:](#)

[NX201002B-30](#)