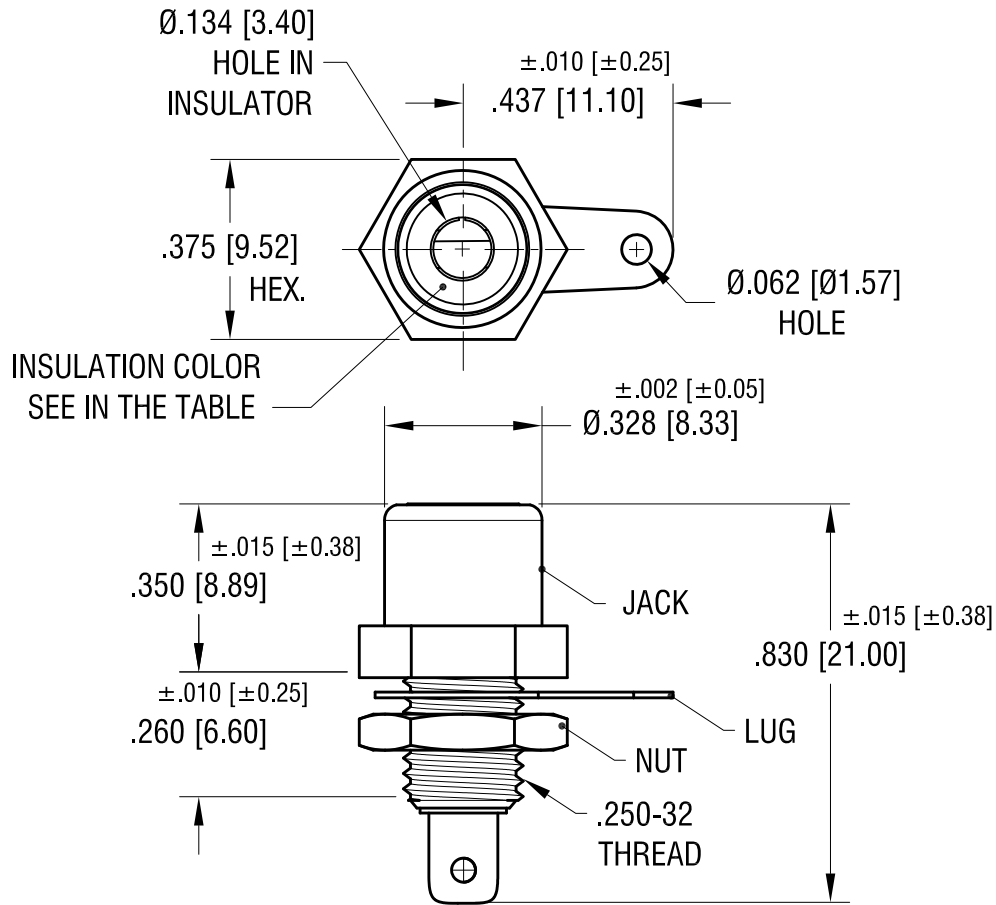
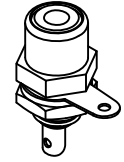


THIS DOCUMENT IS THE PROPERTY OF KEYSTONE ELECTRONICS CORP. AND SHALL NOT BE REPRODUCED, DISTRIBUTED OR USED AS A BASIS FOR MANUFACTURE WITHOUT PRIOR WRITTEN PERMISSION FROM KEYSTONE ELECTRONICS CORP.

ACTUAL SIZE



INSULATION COLOR
SEE IN THE TABLE

PART NO.	INSULATOR COLOR
581	WHITE
582	RED
583	YELLOW

KEYSTONE ELECTRONICS CORP.
 www.keyelco.com • NEW HYDE PARK NY 11040 • Tel (516)328-7500

PART NAME: PHONO JACK

MATERIAL: BRASS

FINISH: NICKEL PLATE

DRN BY: BOONE DATE: 8.10.06

APP'D: RH SCALE: 2.5X

TOLERANCES INCH [MM]
 DECIMAL $\pm .005$ [± 0.13]
 ANGULAR $\pm 1^\circ$
 UNLESS OTHERWISE SPECIFIED

CODE: C DWG NO. 581 - 583

4.22.24	SPLITTED C/M TO 'C' &'M'	A
DATE	DESCRIPTION	REV.