

VS-15-BU-DSUB-3P-LH - D-SUB contact support



1655328

<https://www.phoenixcontact.com/us/products/1655328>

Please be informed that the data shown in this PDF document is generated from our online catalog. Please find the complete data in the user documentation. Our general terms of use for downloads are valid.

D-SUB contact carrier, shell size 2, accommodation for 3 combined contacts, type of contact socket, fixing with 4-40 UNC thread and solder pins, for panel mounting frame VS-15-...



Your advantages

- Compatible with IP67 sleeve housing and panel-mount frame
- Easy assembly

Commercial data

Item number	1655328
Packing unit	10 pc
Minimum order quantity	10 pc
Sales key	AB19
Product key	ABNCAB
Catalog page	Page 214 (C-2-2013)
GTIN	4046356029261
Weight per piece (including packing)	14.74 g
Weight per piece (excluding packing)	11.45 g
Customs tariff number	85366990
Country of origin	DE

VS-15-BU-DSUB-3P-LH - D-SUB contact support



1655328

<https://www.phoenixcontact.com/us/products/1655328>

Technical data

Notes

Order information:	The contacts must be ordered separately since they are not included in the scope of supply of the combi contact inserts.
--------------------	--

Product properties

Product type	Female insert
Application	Combination contact insert
Type	D-SUB
Number of positions	3
Connection profile	D-SUB
Number of slots	1
Type	Socket
Shielded	yes

Electrical properties

Transmission medium	Copper
---------------------	--------

Connection data

Connection technology

Connection method	Wave soldering contacts
-------------------	-------------------------

Dimensions

Dimensional drawing	
Width	21.6 mm
Height	17.1 mm
Length	39.52 mm

Material specifications

Flammability rating according to UL 94	V0
Housing material	Metal
Housing surface material	metal-plated
Contact surface material	Gold
Contact carrier material	PBTP

Mechanical properties

VS-15-BU-DSUB-3P-LH - D-SUB contact support



1655328

<https://www.phoenixcontact.com/us/products/1655328>

Mechanical data

Insertion/withdrawal cycles	≥ 500
-----------------------------	-------

Environmental and real-life conditions

Ambient conditions

Degree of protection	IP20
Ambient temperature (operation)	-55 °C ... 125 °C

Mounting

Mounting type	Screw mounting
---------------	----------------

VS-15-BU-DSUB-3P-LH - D-SUB contact support

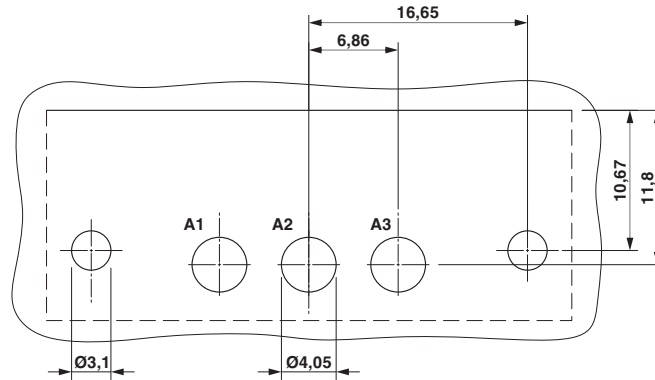


1655328

<https://www.phoenixcontact.com/us/products/1655328>

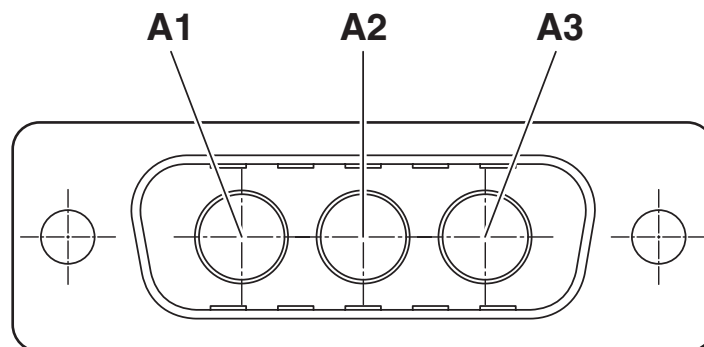
Drawings

Drilling plan/solder pad geometry



Drilling diagram

Schematic diagram



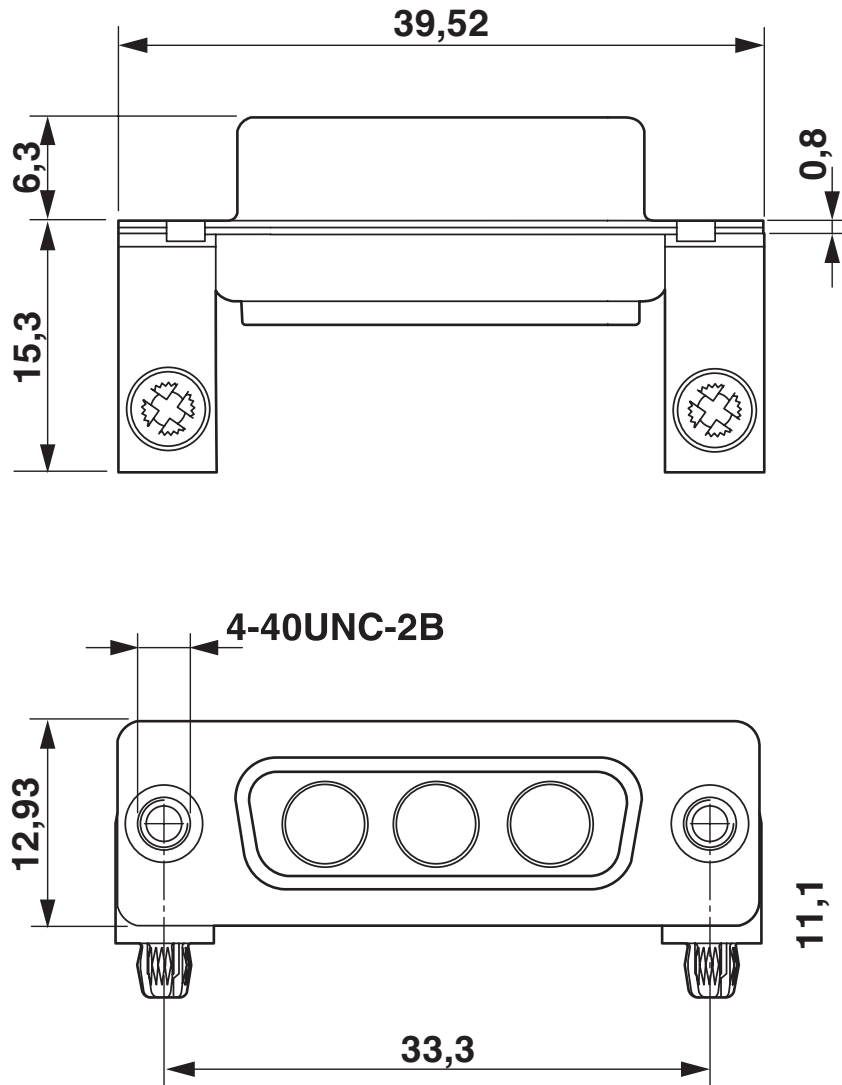
VS-15-BU-DSUB-3P-LH - D-SUB contact support



1655328

<https://www.phoenixcontact.com/us/products/1655328>

Dimensional drawing



D-SUB contact carrier

VS-15-BU-DSUB-3P-LH - D-SUB contact support



1655328

<https://www.phoenixcontact.com/us/products/1655328>

Approvals

To download certificates, visit the product detail page: <https://www.phoenixcontact.com/us/products/1655328>



UL Recognized

Approval ID: FILE E 118976

1655328

<https://www.phoenixcontact.com/us/products/1655328>

Classifications

ECLASS

ECLASS-11.0	27440223
ECLASS-12.0	27440223
ECLASS-13.0	27440223

ETIM

ETIM 9.0	EC003557
----------	----------

UNSPSC

UNSPSC 21.0	39121400
-------------	----------

1655328

<https://www.phoenixcontact.com/us/products/1655328>

Environmental product compliance

EU RoHS

Fulfills EU RoHS substance requirements	Yes
Exemption	6(a), 6(a)-I

China RoHS

Environment friendly use period (EFUP)	EFUP-50
	An article-related China RoHS declaration table can be found in the download area for the respective article under "Manufacturer declaration". For all articles with EFUP-E, no China RoHS declaration table issued and required.

EU REACH SVHC

REACH candidate substance (CAS No.)	Lead(CAS: 7439-92-1)
SCIP	2c77159d-1e74-4443-8e6d-2fa5c0b0380c

VS-15-BU-DSUB-3P-LH - D-SUB contact support



1655328

<https://www.phoenixcontact.com/us/products/1655328>

Accessories

VS-BU-LH-3,6/18/3,8 - D-SUB power contact

1655454

<https://www.phoenixcontact.com/us/products/1655454>



POWER contact, for D-SUB combination inserts, for PCB assembly, socket, angled, rated current 40 A, gold-plated

VS-BU-LK-3,6/22,8/2,6 - D-SUB power contact

1688256

<https://www.phoenixcontact.com/us/products/1688256>



Power contacts, for D-SUB combination inserts, socket, solder cup, straight, rated current 20 A, gold-plated

VS-15-BU-DSUB-3P-LH - D-SUB contact support

1655328

<https://www.phoenixcontact.com/us/products/1655328>



VS-BU-LK-3,6/22,8/4,6 - Contact insert

1688272

<https://www.phoenixcontact.com/us/products/1688272>

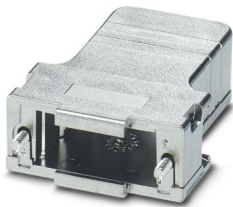


Power contacts, for D-SUB combination inserts, socket, solder cup, straight, rated current 40 A, gold-plated

CUC-DST-GPME-S/DSSC15 - D-SUB sleeve housings

1419710

<https://www.phoenixcontact.com/us/products/1419710>



D-SUB sleeve housings, degree of protection: IP20, material: ABS, metal-plated, cable outlet: straight, housing size: 2, color: Bare metallic

VS-15-BU-DSUB-3P-LH - D-SUB contact support



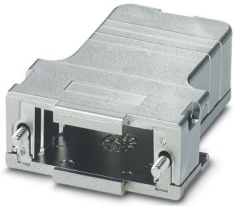
1655328

<https://www.phoenixcontact.com/us/products/1655328>

CUC-DST-GPME-A/DSSC15 - D-SUB sleeve housings

1419718

<https://www.phoenixcontact.com/us/products/1419718>



D-SUB sleeve housings, degree of protection: IP20, material: ABS, metal-plated, cable outlet: angled, housing size: 2, color: Bare metallic

CUC-DST-GZNI-S/DSSC15 - D-SUB sleeve housings

1419724

<https://www.phoenixcontact.com/us/products/1419724>



D-SUB sleeve housings, degree of protection: IP20, material: Zinc die-cast, cable outlet: straight, housing size: 2, color: Bare metallic

VS-15-BU-DSUB-3P-LH - D-SUB contact support

1655328

<https://www.phoenixcontact.com/us/products/1655328>



CUC-DST-GZNI-A/DSSC15 - D-SUB sleeve housings

1419725

<https://www.phoenixcontact.com/us/products/1419725>

D-SUB sleeve housings, degree of protection: IP20, material: Zinc die-cast, cable outlet: angled, housing size: 2, color: Bare metallic



VS-15-A - Panel mounting frames

1688036

<https://www.phoenixcontact.com/us/products/1688036>

D-SUB panel mounting frame, shell size 2, IP67 degree of protection



VS-15-BU-DSUB-3P-LH - D-SUB contact support

1655328

<https://www.phoenixcontact.com/us/products/1655328>



VS-15-T-2PG11 - D-SUB sleeve housings

1688052

<https://www.phoenixcontact.com/us/products/1688052>

D-SUB sleeve housing, shell size 2, IP67 degree of protection



CUC-SCHRAUBE-5,5:360 - Screw

1421711

<https://www.phoenixcontact.com/us/products/1421711>

Screw, design: Hexagonal, color: Bare metallic



VS-15-BU-DSUB-3P-LH - D-SUB contact support

1655328

<https://www.phoenixcontact.com/us/products/1655328>



VS-15-ST-DSUB-3P-LH - D-SUB contact support

1655331

<https://www.phoenixcontact.com/us/products/1655331>

D-SUB contact carrier, shell size 2, accommodation for 3 combined contacts, type of contact pin, fixing with 4-40 UNC thread and solder pins, for panel mounting frame VS-15-...



Phoenix Contact 2024 © - all rights reserved

<https://www.phoenixcontact.com>

Phoenix Contact USA
586 Fulling Mill Road
Middletown, PA 17057, United States
(+717) 944-1300
info@phoenixcon.com