

# 110/316P-Series

## PUSHBUTTON SWITCHES

The 110/316P-Series provides a compact yet rugged solution to general purpose switch needs. Alternate action, metal construction and stiff (6-8 lb) actuation force have combined to make this switch a pillar in a variety of markets. This versatile switch is available in maintained and momentary circuits with a variety of termination and rating options.



### Product Highlights:

- ♦ Ratings to 5A 250V, 10A 125V AC or DC
- ♦ Maintained or momentary circuitry
- ♦ On-Off, On-On and 2 circuit function options
- ♦ Choice of 4 different termination options

### Typical Applications:

- ♦ Music Industry
- ♦ Audio/Visual
- ♦ Electronic Road Signs



### Dielectric Strength

UL/CSA: 1000V - live to dead metal parts & opposite polarity

### Mechanical Life

100,000 cycles

### Electrical Life

25,000 cycles

### Operating Temperature

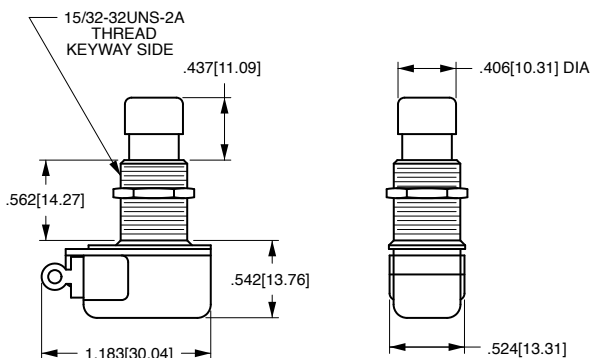
32°F to 185°F (0°C to 85°C)

# 110-P

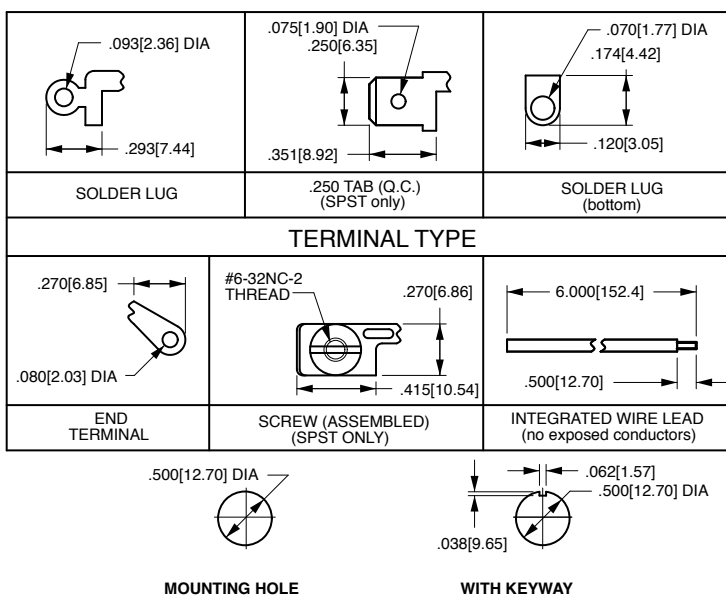
<sup>1</sup>  
Part Number

1 PART NUMBER: SERIES / ACTUATOR / CIRCUITRY / RATING / TERMINATION				
	solder lug (end)	solder lug (bottom)	screw terminals	wire leads
<b>Single Pole</b>				
<b>3A 250V, 6A 125V</b>				
OFF-ON	110-P	110-BP	110-SP	111-16-P
OFF-(ON)	110-PM-OFF	110-PBM-OFF	110-SPM-OFF	111-PM-OFF
ON-(OFF)	110-PM-ON	110-PBM-ON	110-SPM-ON	111-PM-ON
<b>5A 250V, 10A 125V, 1/4 HP 125V</b>				
OFF-ON	160H-P	160H-BP	160H-SP	160H-AP
<b>1A 250V, 3A 125V</b>				
ON-ON	112-P	-	-	112-PA
ON-(ON)	112-PM	-	-	112-PAM
<b>Double Pole</b>				
<b>1A 250V, 3A 125V</b>				
OFF-ON	216-PP	-	-	216-PPA
OFF-(ON)	216-PM-OFF	-	-	216-PAM-OFF
ON-(OFF)	216-PM-ON	-	-	216-PAM-ON
ON-ON	316-PP	316-B-PP	-	316-PPA
ON-(ON)	316-PM	316-B-PM	-	316-PAM
1 ON - 1 OFF (2 circuit)	516-PP	-	-	516-PPA
1 (ON) - 1 (OFF) (2 circuit)	516-PM	-	-	516-PAM

Notes:  
( ) Indicates momentary function.



NOTE:  
KEYWAY  
.072[1.82] X .038[.965] DP



\*Manufacturer reserves the right to change product specification without prior notice.

## Authorized Sales Representatives and Distributors

Click on a region of the map below to find your local representatives and distributors or visit [www.carlingtech.com/findarep](http://www.carlingtech.com/findarep).



## About Carling

Founded in 1920, Carling Technologies is a leading manufacturer of electrical and electronic switches and assemblies, circuit breakers, electronic controls, power distribution units, and multiplexed power distribution systems. With four ISO registered manufacturing facilities and technical sales offices worldwide, Carling Technologies Sales, Service and Engineering teams do much more than manufacture electrical components, they engineer powerful solutions! To learn more about Carling please visit [www.carlingtech.com/company-profile](http://www.carlingtech.com/company-profile).

To view all of Carling's environmental, quality, health & safety certifications please visit [www.carlingtech.com/environmental-certifications](http://www.carlingtech.com/environmental-certifications)

## **Worldwide Headquarters**

Carling Technologies, Inc.  
60 Johnson Avenue, Plainville, CT 06062  
**Phone:** 860.793.9281 **Fax:** 860.793.9231  
**Email:** sales@carlingtech.com

**Northern Region Sales Office:** nrsm@carlingtech.com  
**Southeast Region Sales Office:** sersm@carlingtech.com  
**Midwest Region Sales Office:** mrsm@carlingtech.com  
**West Region Sales Office:** wrsm@carlingtech.com  
**Latin America Sales Office:** larsm@carlingtech.com

## **Asia-Pacific Headquarters**

Carling Technologies, Asia-Pacific Ltd.,  
Suite 1607, 16/F Tower 2, The Gateway,  
Harbour City, 25 Canton Road,  
Tsimshatsui, Kowloon, Hong Kong  
**Phone:** Int + 852-2737-2277 **Fax:** Int + 852-2736-9332  
**Email:** sales@carlingtech.com.hk

**Shenzhen, China:** shenzhen@carlingtech.com  
**Shanghai, China:** shanghai@carlingtech.com  
**Pune, India:** india@carlingtech.com  
**Kaohsiung, Taiwan:** taiwan@carlingtech.com  
**Yokohama, Japan:** japan@carlingtech.com

## **Europe | Middle East | Africa Headquarters**

Carling Technologies LTD  
4 Airport Business Park, Exeter Airport,  
Clyst Honiton, Exeter, Devon, EX5 2UL, UK  
**Phone:** Int + 44 1392.364422 **Fax:** Int + 44 1392.364477  
**Email:** ltd.sales@carlingtech.com

**Germany:** gmbh@carlingtech.com  
**France:** sas@carlingtech.com



**Carling Technologies®**

Innovative Designs. Powerful Solutions.

# Mouser Electronics

Authorized Distributor

Click to View Pricing, Inventory, Delivery & Lifecycle Information:

## Carling Technologies:

[316-B-PP](#) [110-P](#) [111-PM-ON](#) [112-PM](#) [216-PPA](#) [110-B-73](#) [110-SP](#) [110-PM-OFF](#) [112-P](#) [316-PP](#) [216-PM-OFF](#)  
[110-SPM-OFF](#) [112-PAM](#) [160H-AP](#) [160H-BP](#) [316-PM](#) [111-16P](#) [110-M-NO-73](#) [110-BP/2 HEX](#) [110-P/2 HEX](#) [110-](#)  
[PBM-OFF/2 HEX](#) [110-PM-OFF-OV/TABS](#) [110-PBM-OFF/728-15907](#) [110-PM-OFF/2 HEX](#) [111-PM-OFF-OV/40](#) [516-](#)  
[PAM/8](#) [110-SPM-OFF-OV-XSTG1](#) [316-PAM-XED1](#) [316-PPA-XRC1](#) [111-PM-ON-XLD1](#) [316-PP/2 HEX](#) [110-BP-](#)  
[XDU1](#) [160H-AP-XPE2](#) [110-PM-OFF-XQT1](#) [112-P-XHZ1](#) [316-PM/168-05944 BULK](#) [316-PM/168-05944/ASSEM](#) [316-](#)  
[PPA](#) [516-PP](#) [316-PM/POLY](#) [110-PBM-OFF-XWL1](#) [160H-AP-XLB1](#) [111-PM-OFF/POLY](#) [112-PM/POLY](#) [112-PXPE1](#)  
[216-PAM-OFF/168-05943 BULK/POLY](#) [216-PAM-ON](#) [110-SPXTC1](#) [112-P-XDN1](#) [111-PM-ON-XRM1](#) [160H-AP-XCL1](#)  
[160H-SP](#) [112-P/2 HEX](#) [110-SPM-ON](#) [110-PBM-ON](#) [110-PM-ON-OV/TABS](#) [110-SPM-OFF-OV](#) [110-SPM-ON/POLY](#)  
[110-SPM-ON-OV](#) [112-P/728-15907](#) [160H-AP-XMKE1](#) [110-BP](#) [110-P/HDW ASSM](#) [110-P/728-15907](#) [110-P/TABS](#)  
[110-PM-ON/TABS/2HEX/168-05943 BULK](#) [516-PAM-XSEM1](#) [112-P-XWAH1](#) [112-PA-XWH4](#) [110-PM-OFF/728-15946](#)  
[316-PAM-XRC1](#) [111-PM-ON-XTB1](#) [316-B-PM](#) [111-PM-ON-XLTG1](#) [111-PM-OFF/7.5](#) [112-PAM-XWH4](#) [516-PAM-](#)  
[XSES1](#) [111-16-P-XFC1](#) [111-PM-ON-XCD1](#) [111-PM-OFF-XFW1](#) [111-16-P/9](#) [112-P/HDW BULK](#) [111-16-P-XLT1](#)  
[216-PM-ON/2 HEX](#) [110-PBM-OFF-XDU1](#) [110-SPM-OFF/728-15907](#) [160H-AP-XPR2](#) [111-16-P/3](#) [111-16-P/9/HDW](#)  
[BULK](#) [111-PM-OFF-XEW1](#) [516-PAM-XMS1](#) [110-PM-OFF-XRM1](#) [110-PM-OFF/TABS-XLW1](#) [316-B-PP-XJD1](#) [160H-](#)  
[P-XTR1](#) [110-P-XRW1](#) [110-PM-ON-OV/TABS/2 HEX](#) [111-PM-OFF-XTB1](#) [316-PP-XHN1](#) [111-16-P-XVK1](#)