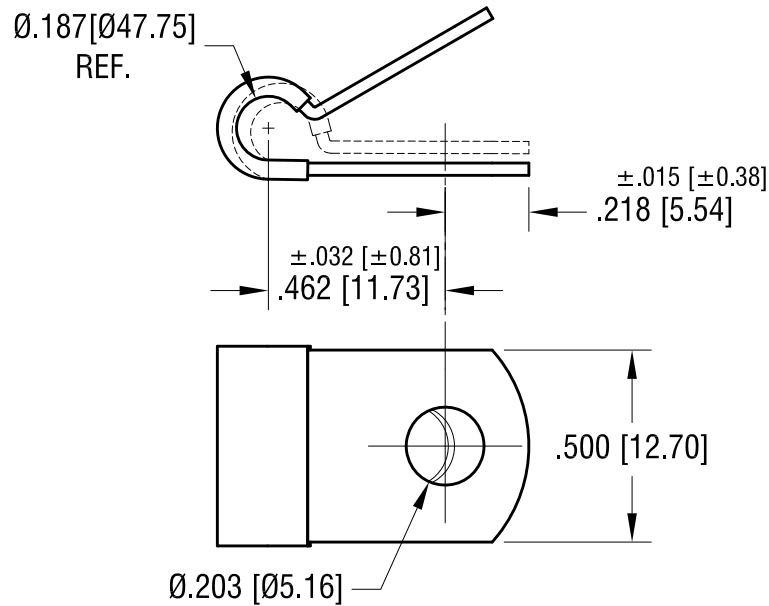
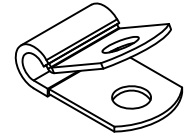


THIS DOCUMENT IS THE PROPERTY OF
KEYSTONE ELECTRONICS CORP. AND
SHALL NOT BE REPRODUCED, DISTRIBUTED
OR USED AS A BASIS FOR MANUFACTURE
WITHOUT PRIOR WRITTEN PERMISSION
FROM KEYSTONE ELECTRONICS CORP.

ACTUAL SIZE



2.27.24

CHANGE AS PER PCN 24-015

B

10.18.06

CHANGE AS PER ECN 06-070

A

DATE

DESCRIPTION

REV.

KEYSTONE ELECTRONICS CORP.

www.keyelco.com • NEW HYDE PARK, NY 11040 • Tel (516) 328-7500

PART NAME

INSULATED STEEL CABLE CLAMP

MATERIAL

.032 [0.81] TH'K STEEL, BLACK VINYL

FINISH

ZINC PLATE
CLEAR CHROMATE

DRN BY

BOONE

DATE

10.20.99

APP'D

RH

SCALE

2X

TOLERANCES

INCH [MM]
DECIMAL ±.010 [±.025]

CODE

ANGULAR ± 1°
UNLESS OTHERWISE SPECIFIED

C

DWG NO.

8121