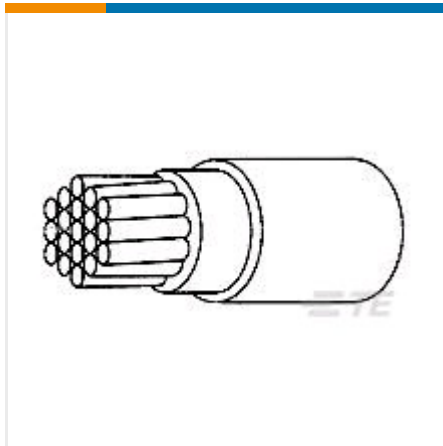




[+ WIRE AND CABLE](#)

[HOOK UP WIRE](#)



✓ Active

TE CONNECTIVITY (TE)

99M0111-24-6

Raychem | SP

99M0111-24-6

TE Internal Number: 6390053001

Alias ID: 7-1195050-5

[EU RoHS Compliant](#)

[EU ELV Compliant](#)

Cable Type Spec 99M

Voltage Rating (V) 600

Insulation Material Radiation-Crosslinked, Modified Polyester

Conductor Material Tin-Plated Copper

Wire Size (AWG) 24

[↓ PRODUCT DRAWING](#)

English

DOCUMENTATION

Product Drawings

Customer Drawing

PDF

English

FEATURES

Please review product documents or [contact us](#) for the latest agency approval information.

Please Note: Use the Product Drawing for all design activity.

Product Type Features

Cable Type Spec 99M
Cable Style Primary
Product Classification Cable - Spec 99 & 100
Product Type Cable

Configuration Features

Number of Strands 19
Number of Conductors 1

Electrical Characteristics

Voltage Rating (V) 600

Body Features

Insulation Material Radiation-Crosslinked, Modified Polyester
Conductor Material Tin-Plated Copper
Wire Color Blue

Dimensions

Strand Size (AWG) 36
Wire Size (AWG) 24
Wire Size (mm²) .205
Conductor Diameter .64 mm [.025 in]
Insulation Thickness .15 mm [.006 in]
Overall Outside Diameter 1.05 mm [.0414 in]
Wire Diameter .89 mm [.035 in]

Usage Conditions

Operating Temperature Range (°C) -55 – 125

Other

Wire Source United Kingdom

PRODUCT COMPLIANCE



Statement of Compliance

Statement of Compliance

PDF
