

5-1534798-6 ✓ ACTIVE

## AMP DUOPLUG

TE Internal #: 5-1534798-6

Wire-to-Board, 6 Position, 2.5 mm [.098 in] Centerline, Insulation

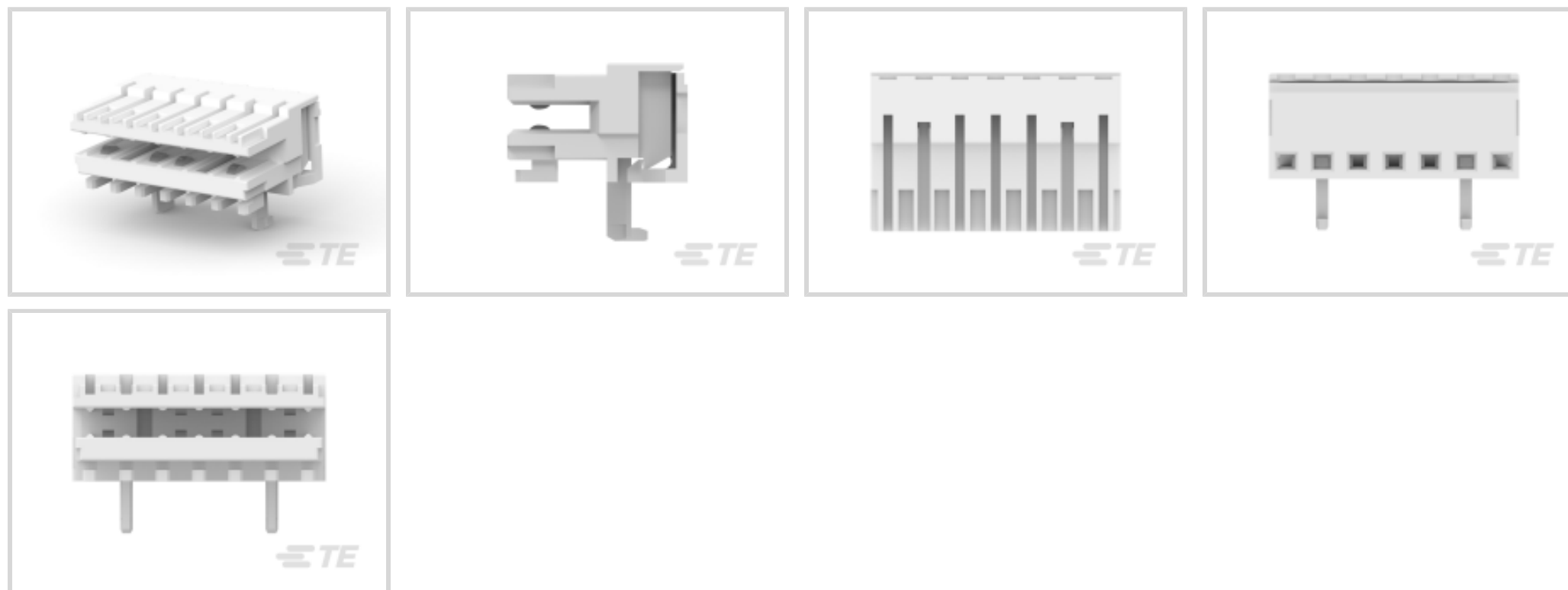
Displacement (IDC), 1 Row, Natural, PA 6 GF, Standard Edge

Connectors

[View on TE.com >](#)



Connectors > PCB Connectors > Card Edge Connectors > Standard Edge Connectors



Connector System: **Wire-to-Board**

Number of Positions: **6**

Centerline (Pitch): **2.5 mm [.098 in]**

Termination Method to Wire & Cable: **Insulation Displacement (IDC)**

Number of Rows: **1**

### Features

#### Product Type Features

Connector System	Wire-to-Board
Connector & Housing Type	Receptacle
Connector & Contact Terminates To	Printed Circuit Board

#### Configuration Features

Card Entry Style	Side
Compatible With Wire & Cable Type	Discrete Wire
Number of Positions	6
Number of Rows	1
Connector Contact Load Condition	Selectively Loaded
PCB Mount Orientation	Right Angle

#### Electrical Characteristics

Operating Voltage	50 VAC, 250 VAC
-------------------	-----------------

#### Body Features

Primary Product Color	Natural
-----------------------	---------



### Contact Features

Contact Retention Within Housing	With
Contact Type	Socket
Contact Mating Area Plating Material Thickness	3 – 6 µm
Contact Mating Area Plating Material	Tin
PCB Contact Termination Area Plating Material	Tin
Contact Base Material	Copper Tin
Contact Current Rating (Max)	2 A

### Termination Features

Termination Method to Wire & Cable	Insulation Displacement (IDC)
------------------------------------	-------------------------------

### Mechanical Attachment

Mating Alignment Type	Keyed
Mating Retention	Without
Mating Alignment	With
Contact Retention Type Within Housing	Locking Lance
PCB Mount Retention	Without
Connector Mounting Type	Cable Mount (Free-Hanging)

### Housing Features

Housing Entry Configuration	Both Ends Open
Centerline (Pitch)	2.5 mm [.098 in]
Housing Material	PA 6 GF

### Dimensions

Connector Height	7.3 mm [.287 in]
PCB Thickness (Recommended)	1.5 mm [.059 in]
Compatible Insulation Diameter Range	1.2 – 1.6 mm [.047 – .063 in]
Wire Size	.22 – .35 mm <sup>2</sup>

### Usage Conditions

Operating Temperature Range	-40 – 110 °C [-40 – 230 °F]
-----------------------------	-----------------------------

### Operation/Application

Circuit Application	Signal
---------------------	--------

### Industry Standards

--	--



Glow Wire Rating	GWEPT 750°C (Without Flame)
------------------	-----------------------------

**Packaging Features**

Packaging Quantity	8624
Packaging Method	Box

**Product Compliance**


[For compliance documentation, visit the product page on TE.com>](#)

EU RoHS Directive 2011/65/EU	Compliant
EU ELV Directive 2000/53/EC	Compliant
China RoHS 2 Directive MIIT Order No 32, 2016	No Restricted Materials Above Threshold
EU REACH Regulation (EC) No. 1907/2006	Current ECHA Candidate List: JUNE 2024 (241) Candidate List Declared Against: JUNE 2024 (241) Does not contain REACH SVHC
Halogen Content	Not Low Halogen - contains Br or Cl > 900 ppm.
Solder Process Capability	Not applicable for solder process capability

Product Compliance Disclaimer

This information is provided based on reasonable inquiry of our suppliers and represents our current actual knowledge based on the information they provided. This information is subject to change. The part numbers that TE has identified as EU RoHS compliant have a maximum concentration of 0.1% by weight in homogenous materials for lead, hexavalent chromium, mercury, PBB, PBDE, DBP, BBP, DEHP, DIBP, and 0.01% for cadmium, or qualify for an exemption to these limits as defined in the Annexes of Directive 2011/65/EU (RoHS2). Finished electrical and electronic equipment products will be CE marked as required by Directive 2011/65/EU. Components may not be CE marked. Additionally, the part numbers that TE has identified as EU ELV compliant have a maximum concentration of 0.1% by weight in homogenous materials for lead, hexavalent chromium, and mercury, and 0.01% for cadmium, or qualify for an exemption to these limits as defined in the Annexes of Directive 2000/53/EC (ELV). Regarding the REACH Regulation, the information TE provides on SVHC in articles for this part number is based on the latest European Chemicals Agency (ECHA) 'Guidance on requirements for substances in articles' posted at this URL: <https://echa.europa.eu/guidance-documents/guidance-on-reach>

**Compatible Parts**

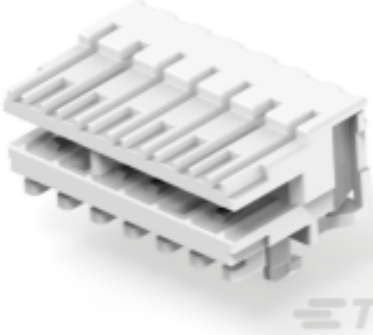
 <p>TE Part # 3-1534798-9 AMP DUOPLUG MARK II CONNECTOR3-20P SELEC</p>	 <p>TE Part # 1-1534798-6 AMP DUOPLUG MARK II</p>	 <p>TE Part # 3-1534798-6 AMP DUOPLUG MARK II</p>	 <p>TE Part # 4-1534798-0 AMP DUOPLUG MK II CON. 3-20 POS. SELECTIV</p>
---	---	--	--



TE Part # 4-1534798-5  
AMP DUOPLUG MK2 CONNECTOR  
5P SELECTIVE



TE Part # 5-1534798-9  
AMP Duoplug 2,5 MK II selektiv



TE Part # 9-1534798-6  
AMP DUOPLUG MARK II



TE Part # 9-1740154-6  
DUOPLUG MKII FEMALE HSG WITH  
PCB LOCKING

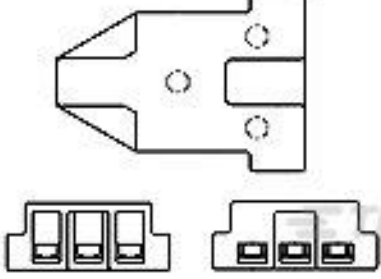


TE Part # 7-1534798-8  
AMP DUOPLUG 2.5 MARK II FEMALE  
CONNECTOR

### Customers Also Bought



TE Part #293041-2  
FF 250 TAB 0.35-1.0MM2 TPBR



TE Part #171370-3  
CLUSTER BLOCK HSG PBT



TE Part #3-1534798-3  
AMP DUOPLUG MK2 CONNECTOR  
3P SELECTIVE



TE Part #2-1740918-3  
AMP DUOPLUG2.5 MKII 3P W. PCB  
LOCK



TE Part #1534415-5  
DUOPL POW FEM CON5P



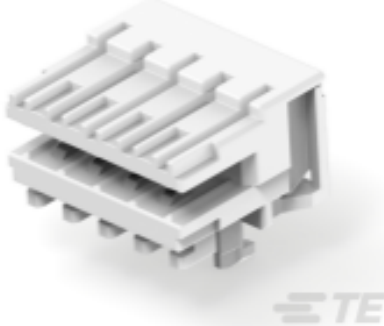
TE Part #1376477-4  
2.5MM PITCH SIGNAL MATE CONN



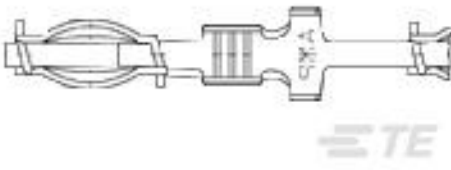
TE Part #2-964338-2  
MAG MATE CONTACT MK II



TE Part #3-1534798-5  
AMP DUOPLUG MK2 CONNECTOR  
5P SELECTIVE



TE Part #9-1534796-4  
AMP DUOPLUG MKII CONNECTOR  
4P S



TE Part #170063-2  
CLUSTER PIN REC

### Documents



**CAD Files**

**Customer View Model**

[ENG\\_CVM\\_CVM\\_5-1534798-6\\_A.2d\\_dxf.zip](#)

English

**3D PDF**

3D

**Customer View Model**

[ENG\\_CVM\\_CVM\\_5-1534798-6\\_A.3d\\_igs.zip](#)

English

**Customer View Model**

[ENG\\_CVM\\_CVM\\_5-1534798-6\\_A.3d\\_stp.zip](#)

English

By downloading the CAD file I accept and agree to the [Terms and Conditions](#) of use.

**Datasheets & Catalog Pages**

[RAST Connector System Catalog](#)

English

**Product Specifications**

[Application Specification](#)

English

**Agency Approvals**

[VDE Certificate](#)

English

[VDE Certificate](#)

English

[VDE Certificate](#)

English