

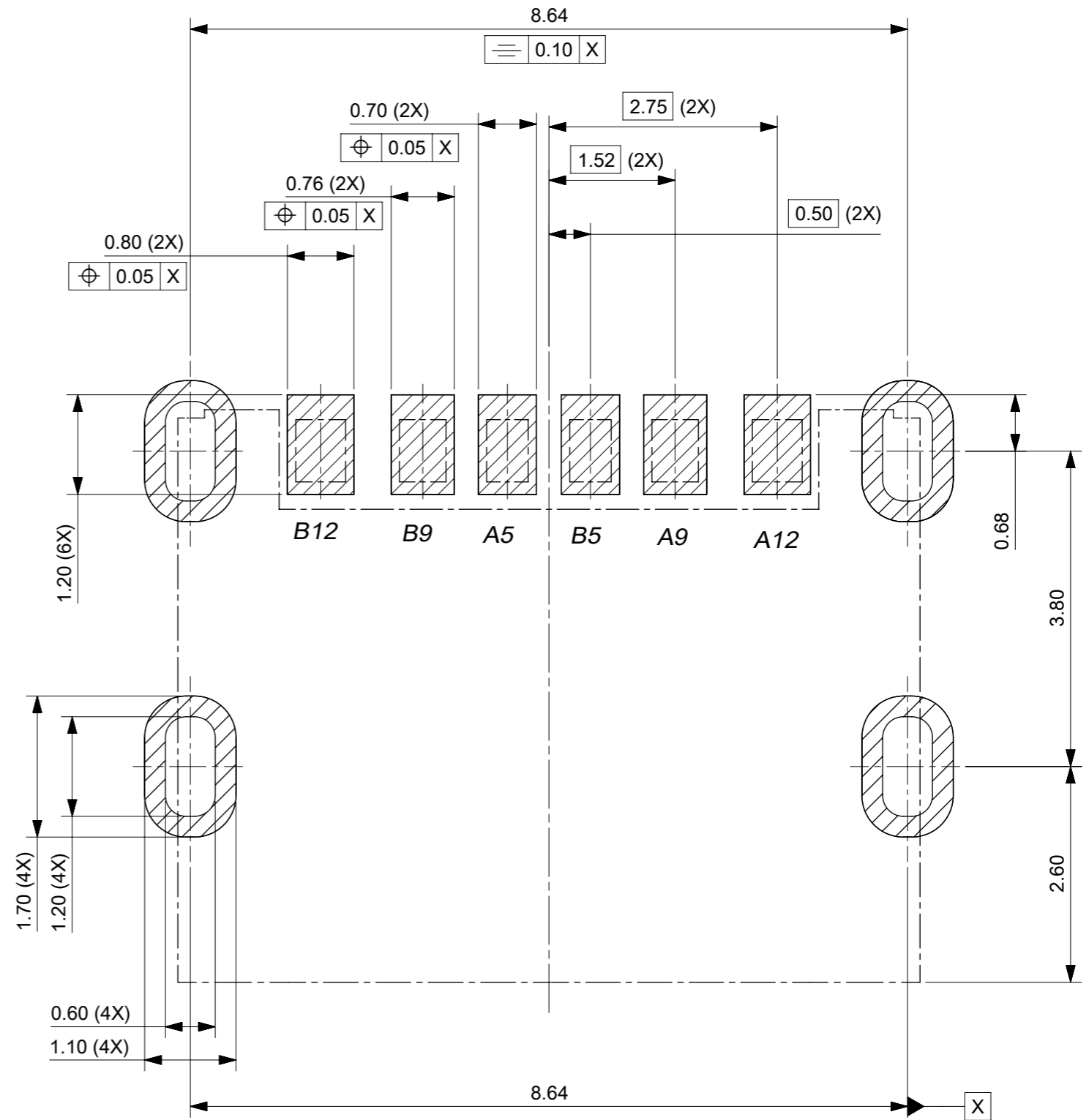
PART NO.	PLATING DESCRIPTION
2171750001	SEE NOTE 2(1) FOR CONTACT AREA

THIS DRAWING CONTAINS INFORMATION THAT IS PROPRIETARY TO MOLEX ELECTRONIC TECHNOLOGIES, LLC AND SHOULD NOT BE USED WITHOUT WRITTEN PERMISSION		CURRENT REV DESC:		molex	
DIMENSION UNITS	SCALE				
mm	1:1			TYPE C 6 PIN TOP MOUNT SMT	
GENERAL TOLERANCES (UNLESS SPECIFIED)				PRODUCT CUSTOMER DRAWING	
ANGULAR TOL	$\pm 3.0^\circ$			DOCUMENT NUMBER	
4 PLACES	\pm	EC NO: 657457	2021/03/18	2171750001	
3 PLACES	± 0.1	DRWN: RZHANG	2021/04/06	DOC TYPE	DOC PART
2 PLACES	± 0.2	CHK'D: AYIN	2021/04/06	PSD	000
1 PLACE	± 0.3	APPR: AYIN		REVISION	A1
0 PLACES	\pm	INITIAL REVISION:			
DRAFT WHERE APPLICABLE MUST REMAIN WITHIN DIMENSIONS		DRWN: RZHANG	2021/01/22		
THIRD ANGLE PROJECTION		APPR: AYIN	2021/02/05		
DRAWING		SERIES	MATERIAL NUMBER	CUSTOMER	
A3-SIZE		217175	SEE CHART		
SHEET NUMBER		1 OF 2			

NOTES:

- 1.MATERIAL SPECIFICATION:
 - 1.1.HOUSING:HIGH TEMPERATURE RESISTANT PLASTIC,UL94 V-0.
 - 1.2.CONTACTS:COPPER ALLOY
 - 1.3.MIDDLE CLIP: STAINLESS STEEL
 - 1.4.SHELL: STAINLESS STEEL
- 2.PLATING:
 - 2.1 TERMINAL:OVERALL PLATING Ni BASE 50u' MIN.
FUNCTIONAL AREA Au PLATING G/F
SOLDER AREA Au PLATING G/F
 - 2.2. SHELL: 50u' NICKEL PLATING ON SOLDERING AREA.
 - 2.3. MIDDLE CLIP :CLEANING
3. PRODUCT SPEC: 2171750001
4. PACKAGE SPEC: 2171750001PDDPK1
5. PRODUCT COMPIANT TO ROHS DIRECTIVE 2011/95/EU
6. PLEASE CONTACT YOUR SALES REPRESENTATIVE
IF INTENDED FOR AUTOMOTIVE
7. DATE CODE: YY WW D
YEAR WEEK DAY

A5	CC1	B12	GND
A9	VBUS	B9	VBUS
A12	GND	B5	CC2
PIN	SIGNAL NAME	PIN	SIGNAL NAME



RECOMMENDED PCB LAYOUT(TOP VIEW)
THICKNESS 1.60MM;DEFAULT TOLERANCE: ±0.05

DIMENSION UNITS		SCALE	CURRENT REV DESC:			
mm		1:1	<p>molex</p> <p>TYPE C 6 PIN TOP MOUNT SMT</p> <p>PRODUCT CUSTOMER DRAWING</p> <p>DOCUMENT NUMBER: 2171750001 DOC TYPE: PSD DOC PART: 000 REVISION: A1</p>			
GENERAL TOLERANCES (UNLESS SPECIFIED)						
ANGULAR TOL ± 3.0°						
4 PLACES ±						
3 PLACES ± 0.1						
2 PLACES ± 0.2			EC NO: 657457		2021/03/18	
1 PLACE ± 0.3			DRWN: RZHANG		2021/04/06	
0 PLACES ±			CHK'D: AYIN		2021/04/06	
DRAFT WHERE APPLICABLE MUST REMAIN WITHIN DIMENSIONS			APPR: AYIN		2021/04/06	
THIRD ANGLE PROJECTION			INITIAL REVISION:			
DRAWING			DRWN: RZHANG		2021/01/22	
SERIES			APPR: AYIN		2021/02/05	
MATERIAL NUMBER			SEE CHART			
CUSTOMER			A3-SIZE			
SHEET NUMBER			217175		2 OF 2	