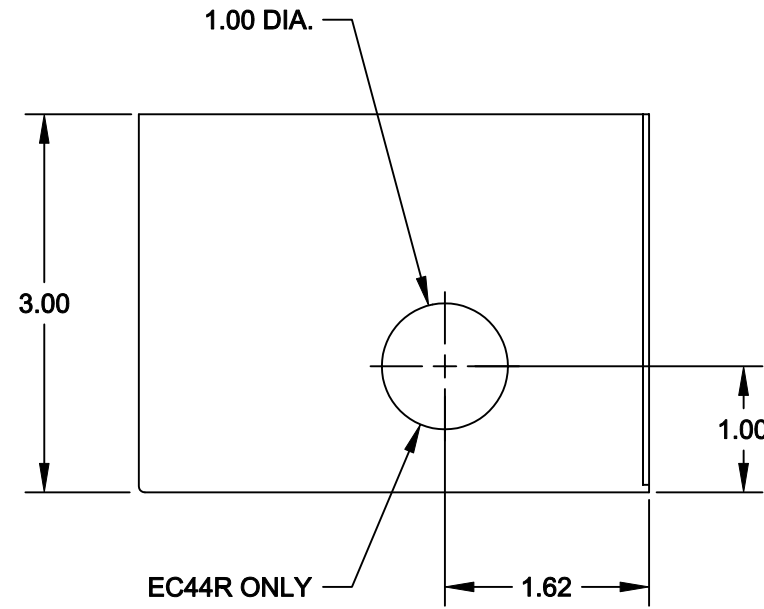
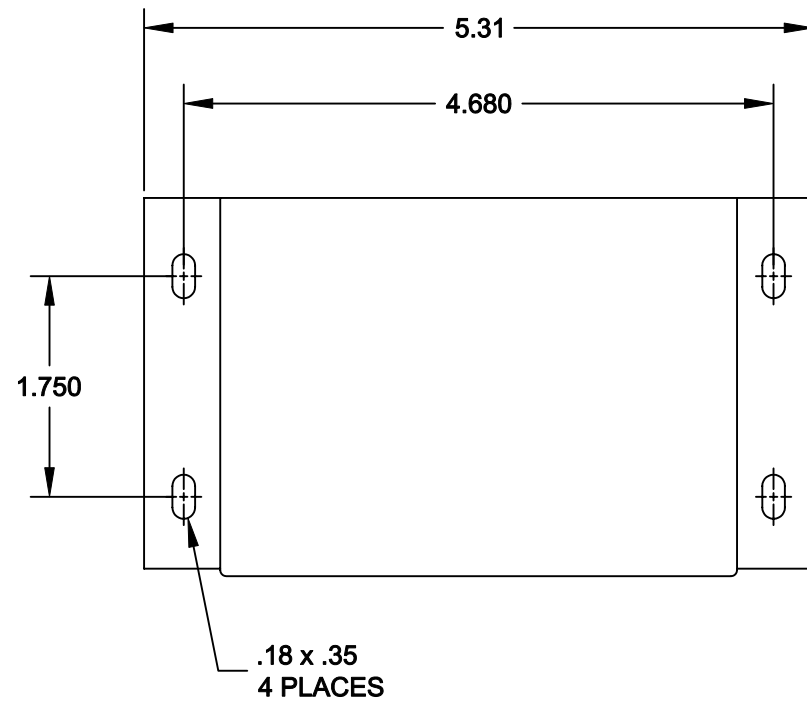
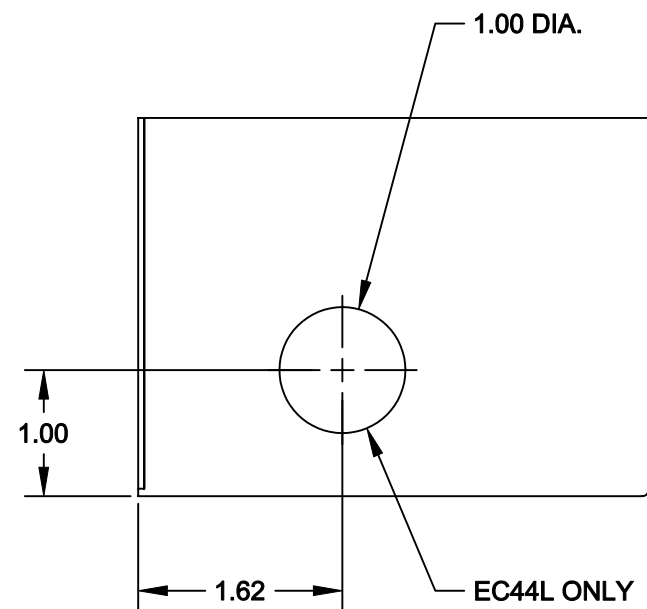
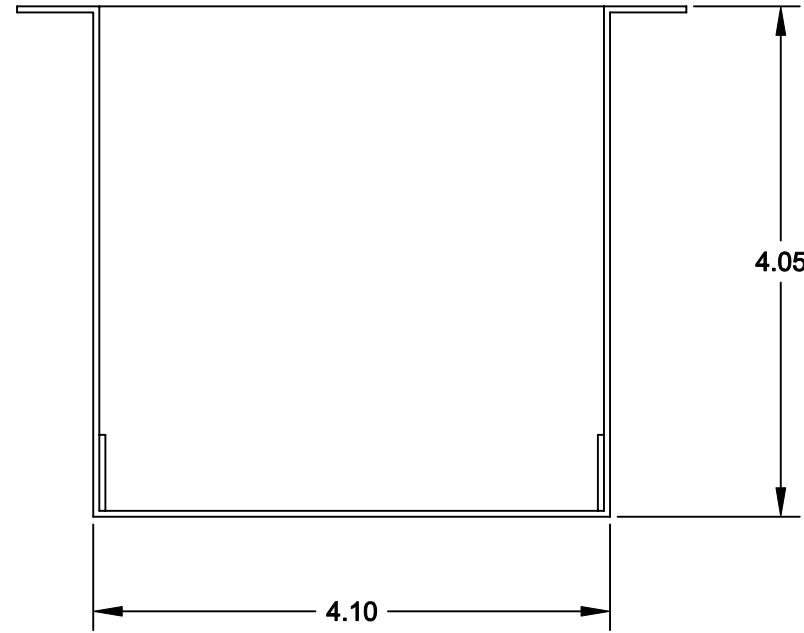
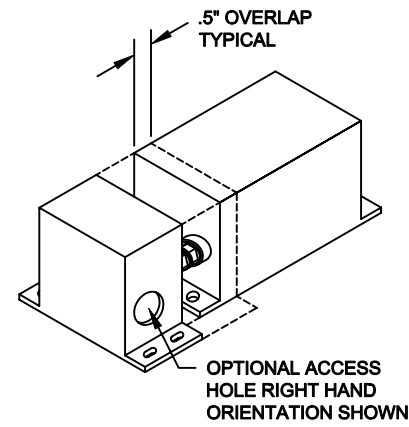


REVISION			
LTR	DESCRIPTION	DATE	APPROVED
A	INITIAL RELEASE	09-29-04	LE



UNLESS OTHERWISE SPECIFIED
DIMENSIONS ARE INCHES
TOLERANCES ARE:
FRACTIONS DECIMALS ANGLES
± .XX ±.030 ±
.XXX ±.010

MATERIAL
18 GA. (.048) CRS

FINISH
CLEAR ZINC PLATE

CONTRACT NO.

APPROVALS DATE
DRAWN GIANG TRINH 08-18-04

CHECKED DANNIEL VUONG 09-29-04

FILTER CONCEPTS INC.
APPLICATION DRAWING
EC44 END COVER

SIZE B	CODE IDENT NO.	DRAWING NO. 7030-1
------------------	----------------	------------------------------

SCALE 2/3	SHEET 1 OF 1
--------------	-----------------

NEXT ASSY	USED ON
APPLICATION	

Mouser Electronics

Authorized Distributor

Click to View Pricing, Inventory, Delivery & Lifecycle Information:

[Astrodyne TDI:](#)

[EC44](#)