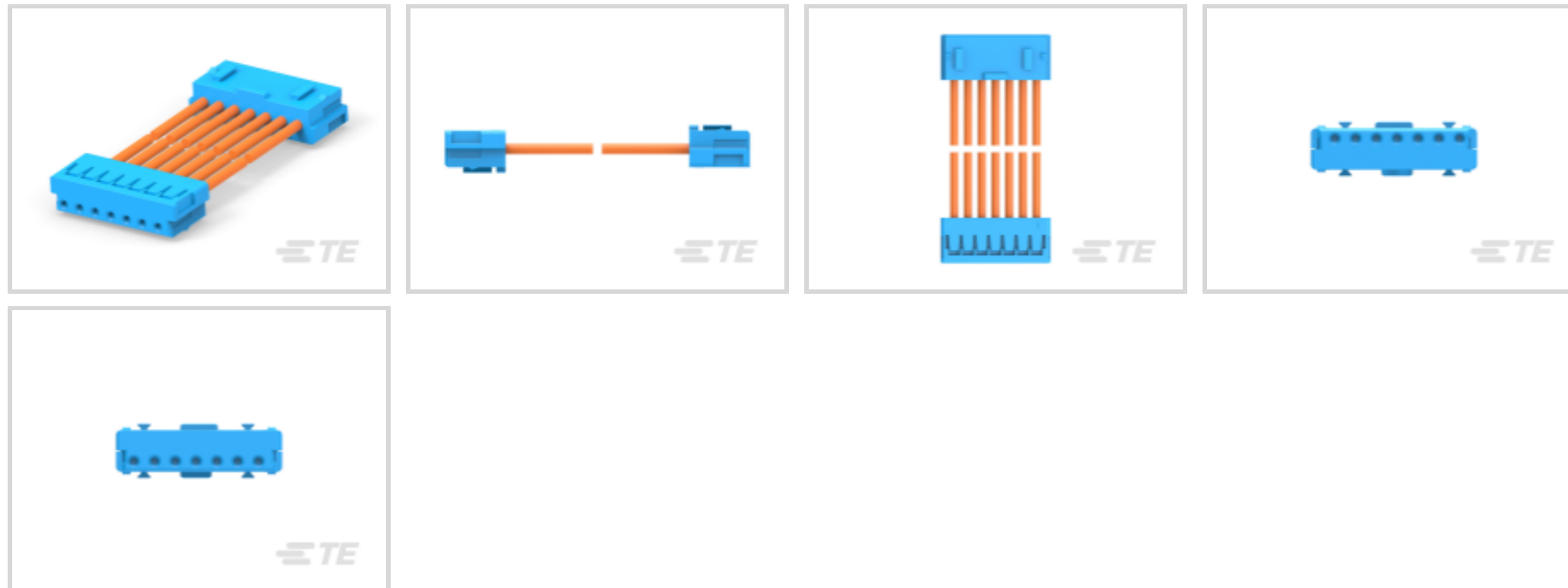




Cable Assemblies > Copper Cable Assemblies > Internal I/O Cable Assemblies



Cable Assembly Type: **CT**
 Cable Style: **Discrete Pair**
 Number of Positions: **7**
 Number of Signal Positions: **7**
 Wire Size: **24 AWG**

Features

Product Type Features

Cable Assembly Type	CT
Cable Style	Discrete Pair

Configuration Features

Number of Positions	7
Number of Signal Positions	7

Dimensions

Wire Size	24 AWG
-----------	--------

Other

Cable Assembly Length	.3 m
-----------------------	------

Product Compliance

[For compliance documentation, visit the product page on TE.com>](#)

EU RoHS Directive 2011/65/EU	Compliant
EU ELV Directive 2000/53/EC	Not Yet Reviewed
China RoHS 2 Directive MIIT Order No 32, 2016	No Restricted Materials Above Threshold



EU REACH Regulation (EC) No. 1907/2006

Current ECHA Candidate List: JUNE 2024 (241)

Candidate List Declared Against: JUNE 2024 (241)

Does not contain REACH SVHC

Halogen Content

Not Low Halogen - contains Br or Cl > 900 ppm.

Solder Process Capability

Not reviewed for solder process capability

Product Compliance Disclaimer

This information is provided based on reasonable inquiry of our suppliers and represents our current actual knowledge based on the information they provided. This information is subject to change. The part numbers that TE has identified as EU RoHS compliant have a maximum concentration of 0.1% by weight in homogenous materials for lead, hexavalent chromium, mercury, PBB, PBDE, DBP, BBP, DEHP, DIBP, and 0.01% for cadmium, or qualify for an exemption to these limits as defined in the Annexes of Directive 2011/65/EU (RoHS2). Finished electrical and electronic equipment products will be CE marked as required by Directive 2011/65/EU. Components may not be CE marked. Additionally, the part numbers that TE has identified as EU ELV compliant have a maximum concentration of 0.1% by weight in homogenous materials for lead, hexavalent chromium, and mercury, and 0.01% for cadmium, or qualify for an exemption to these limits as defined in the Annexes of Directive 2000/53/EC (ELV). Regarding the REACH Regulation, the information TE provides on SVHC in articles for this part number is based on the latest European Chemicals Agency (ECHA) 'Guidance on requirements for substances in articles' posted at this URL: <https://echa.europa.eu/guidance-documents/guidance-on-reach>

Compatible Parts



TE Part # 292173-7
CT BOX HDR H SMT 7P O/TAPE BLA



TE Part # 292172-7
CT POST HDR ASSY 7P IN-TUBE BL



TE Part # 292250-7
CT P/HDR BOX H ASSY 7P W/KINK



TE Part # 292253-7
CT CONN MT HDR ASSY H 7P NAT



TE Part # CAT-3983178-PHBXVD
CT 2mm Post Header Asmbly: Box V DIP



TE Part # 292174-7
CT BOX HDR V SMT 7P O/TAPE NAT



TE Part # 292254-7
CT RELAY HDR ASSY 7P NAT

Customers Also Bought



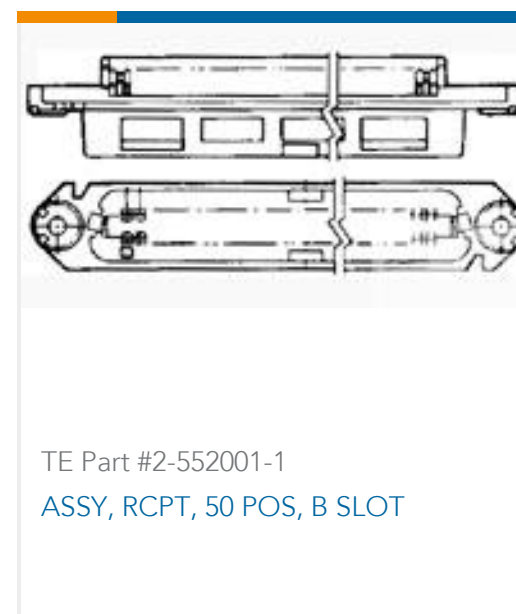
TE Part #5747846-3
25 MSFL RCPT RA 318 (IN,FM,BL)



TE Part #T4110001041-000
M12,FEMALE,STRAIGHT,A CODE,4P,
PG7,GOLD



TE Part #1011-056-0305
SEAL RET, 3P, GRY, DTM



TE Part #2-552001-1
ASSY, RCPT, 50 POS, B SLOT



TE Part #292133-7
CT P/HDR ASSY BOX V 7P W/O KIN



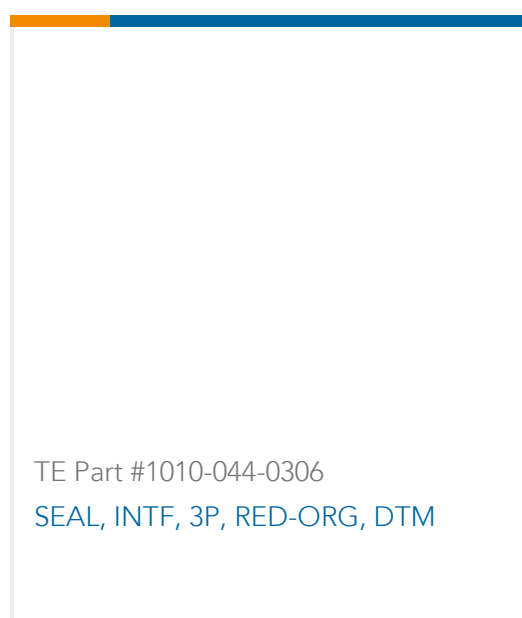
TE Part #5787083-7
68 50SR R/A RCPT ASSY,RDSN L/F



TE Part #6-534206-0
20 MODII VRT DR CE 100/115



TE Part #7-2176477-5
RA73F 2A 3K24 0.1% 1K RL



TE Part #1010-044-0306
SEAL, INTF, 3P, RED-ORG, DTM

Documents

Product Drawings

[CT 7P 300MM CABLE ASSEMBLY 2-179228-7](#)

English

CAD Files

[3D PDF](#)

3D

Customer View Model

[ENG_CVM_CVM_2405869-7_A.3d_igs.zip](#)

English

Customer View Model

[ENG_CVM_CVM_2405869-7_A.2d_dxf.zip](#)

English

Customer View Model

[ENG_CVM_CVM_2405869-7_A.3d_stp.zip](#)

English

By downloading the CAD file I accept and agree to the [Terms and Conditions](#) of use.

Datasheets & Catalog Pages



2.0MM_AMP_CT_CONNECTOR_SERIES_QUICK_REF_GUIDE

English