

RAFIX 22 FS⁺ - Potentiometer drive, round collar
1.30.258.001/0700

General information

Actuator	knob
Color of knob	opaque slate-grey
Front ring	plastic slate-grey
Form of collar	round

Dimensions

Overall height	26 mm
Mounting depth	according to potentiometer
Mounting hole	22.3 mm
Key grid	according to potentiometer

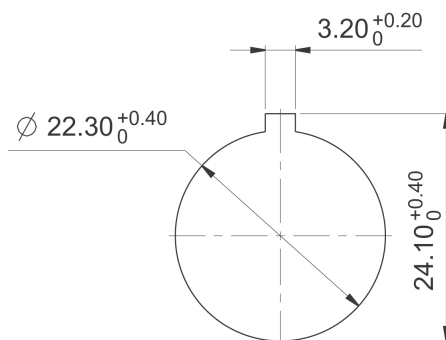
Mechanical design

Mounting	ring nut
Torque for nut ring	1.2 Nm

Other specifications

Degree of protection from front side	IP65 (DIN EN 60529)
Storage temperature min.	-40 °C
Storage temperature max.	+80 °C
Environmental resistance	acc. to IEC 60068-2-14, -30, -33 and -78
Salt spray	IEC 600 68-2-11
ROHS compliant	yes
REACH compliant	yes

Panel cut-out to IEC 60947-5-1



Mouser Electronics

Authorized Distributor

Click to View Pricing, Inventory, Delivery & Lifecycle Information:

[RAFI:](#)

[1.30.258.001/0700](#)