

PV-FT-C-6 SEAL YE - Seal

1627249

<https://www.phoenixcontact.com/us/products/1627249>

Please be informed that the data shown in this PDF document is generated from our online catalog. Please find the complete data in the user documentation. Our general terms of use for downloads are valid.



Seal, Range of articles: SUNCLIX, color: yellow, For sealing conductors with diameters from 4.95 mm to 5.25 mm

Commercial data

| | |
|--------------------------------------|--------------------------------|
| Item number | 1627249 |
| Packing unit | 1,000 pc |
| Minimum order quantity | 1,000 pc |
| Note | Made to order (non-returnable) |
| Product key | ABLBZC |
| GTIN | 4055626294605 |
| Weight per piece (including packing) | 0.278 g |
| Weight per piece (excluding packing) | 0.278 g |
| Country of origin | DE |

Technical data

Notes

| | |
|-------------|--|
| General | For sealing conductors with diameters from 4.95 mm to 5.25 mm |
| Safety note | |
| Safety note | <ul style="list-style-type: none"> • WARNING: Commission properly functioning products only. The products must be regularly inspected for damage. Decommission defective products immediately. Replace damaged products. Repairs are not possible. • WARNING: Only electrically qualified personnel may install and operate the product. They must observe the following safety notes. The qualified personnel must be familiar with the basics of electrical engineering. They must be able to recognize and prevent danger. The relevant symbol on the packaging indicates that only personnel familiar with electrical engineering are allowed to install and operate the product. WARNING: The connectors may not be plugged in or disconnected under load. Ignoring the warning or improper use may damage persons and/or property. • The products are suitable for applications in plant, controller, and electrical device engineering. • Assembled products may not be manipulated or improperly opened. • Only use mating connectors that are specified in the technical data of the standards listed (e.g. the ones listed in the product accessories online at phoenixcontact.com/products). • When using the product in direct connection with third-party manufacturers, the user is responsible. • For operating voltages > 50 V AC, conductive connector housings must be grounded • Ensure that the protective or functional ground has been properly connected. • Observe the corresponding technical data. You will find information: <ul style="list-style-type: none"> o On the product o On the packing label o In the supplied documentation o Online at phoenixcontact.com/products under the product • The installation notes/Design In documents online on the download page at phoenixcontact.com/products must be observed for this product. • Use a protective cap to protect connectors that are not in use. The suitable accessories are available online in the accessory section of the product at phoenixcontact.com/products • The connector warms up in normal operation. Depending on the ambient conditions, the surface of the connector can continue to warm up. In this case, the user is responsible for posting warnings (e.g. DIN EN ISO 13732-1:2008-12). • Operate the connector only when it is fully plugged in and interlocked. • Ensure that when laying the cable, the tensile load on the connectors does not exceed the upper limit specified in the |

PV-FT-C-6 SEAL YE - Seal

1627249

<https://www.phoenixcontact.com/us/products/1627249>

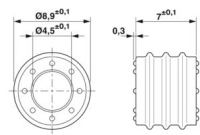
standards.

- Observe the minimum bending radius of the cable. Lay the cable without twisting it.

Product properties

| | |
|----------------|--------------------|
| Product type | Panel feed-through |
| Product family | SUNCLIX |

Dimensions

| | |
|---------------------|--|
| Dimensional drawing |  |
| Width | 8.9 mm |
| Height | 8.9 mm |
| Length | 7 mm |

Material specifications

| | |
|--|----------------------|
| Color | yellow |
| Flammability rating according to UL 94 | HB |
| Insulating material | ELASTOMER |
| Cable seal material | Elastosil LR 3065/50 |

Environmental and real-life conditions

Ambient conditions

| | |
|---------------------------------|-------------------|
| Ambient temperature (operation) | -55 °C ... 230 °C |
|---------------------------------|-------------------|

PV-FT-C-6 SEAL YE - Seal

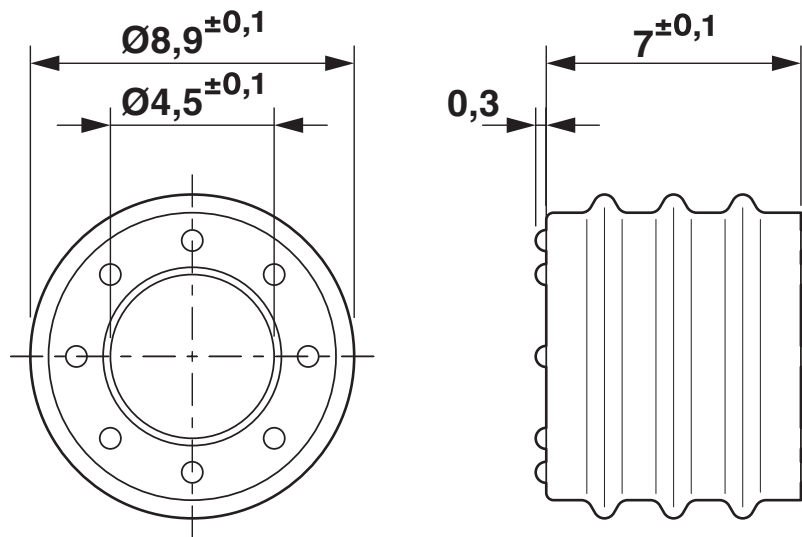
1627249

<https://www.phoenixcontact.com/us/products/1627249>



Drawings

Dimensional drawing



Seal

PV-FT-C-6 SEAL YE - Seal

1627249

<https://www.phoenixcontact.com/us/products/1627249>



Classifications

ECLASS

| | |
|-------------|----------|
| ECLASS-11.0 | 27144422 |
| ECLASS-13.0 | 27440191 |

UNSPSC

| | |
|-------------|----------|
| UNSPSC 21.0 | 39121400 |
|-------------|----------|

PV-FT-C-6 SEAL YE - Seal



1627249

<https://www.phoenixcontact.com/us/products/1627249>

Environmental product compliance

EU RoHS

| | |
|---|--------------------|
| Fulfills EU RoHS substance requirements | Yes, No exemptions |
|---|--------------------|

China RoHS

| | |
|--|--|
| Environment friendly use period (EFUP) | EFUP-E |
| | No hazardous substances above the limits |

EU REACH SVHC

| | |
|-------------------------------------|----------------------------|
| REACH candidate substance (CAS No.) | No substance above 0.1 wt% |
|-------------------------------------|----------------------------|

Phoenix Contact 2024 © - all rights reserved
<https://www.phoenixcontact.com>

Phoenix Contact USA
586 Fulling Mill Road
Middletown, PA 17057, United States
(+717) 944-1300
info@phoenixcon.com