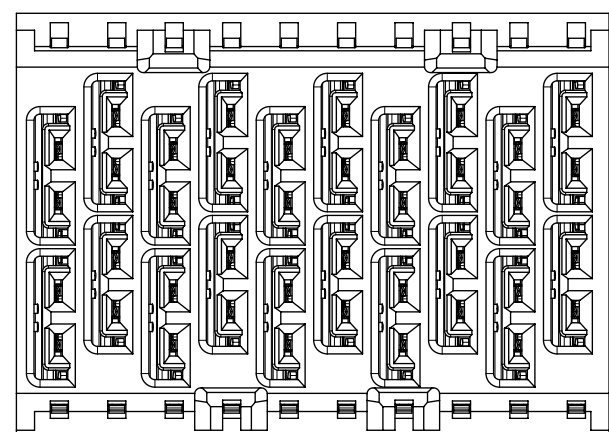
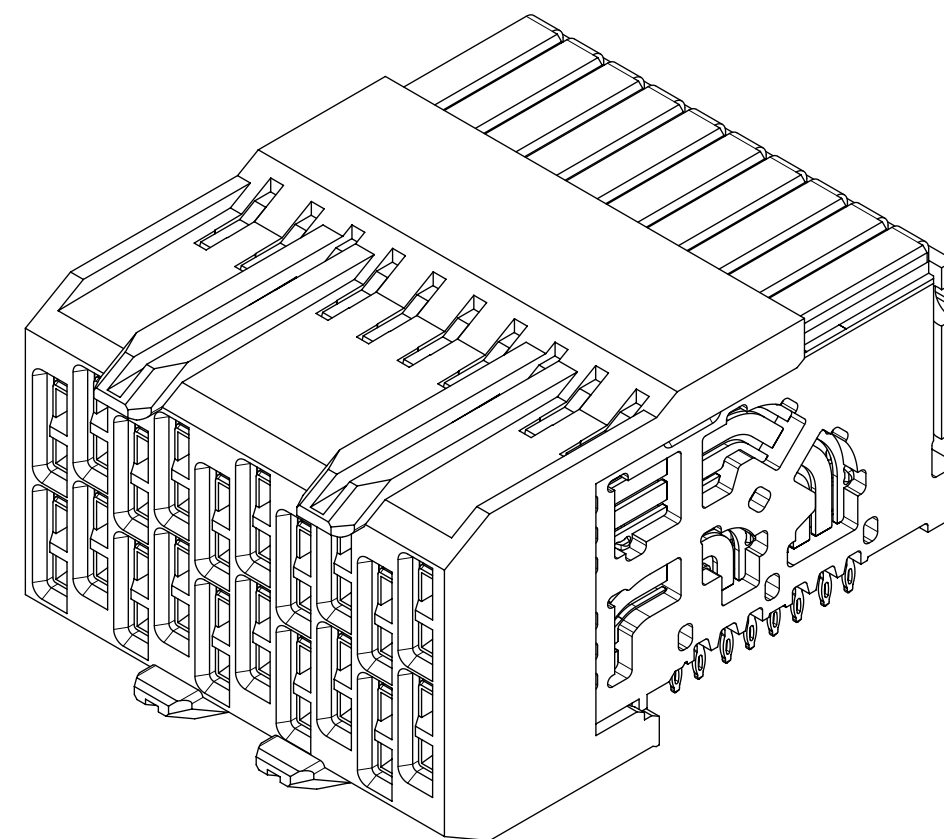
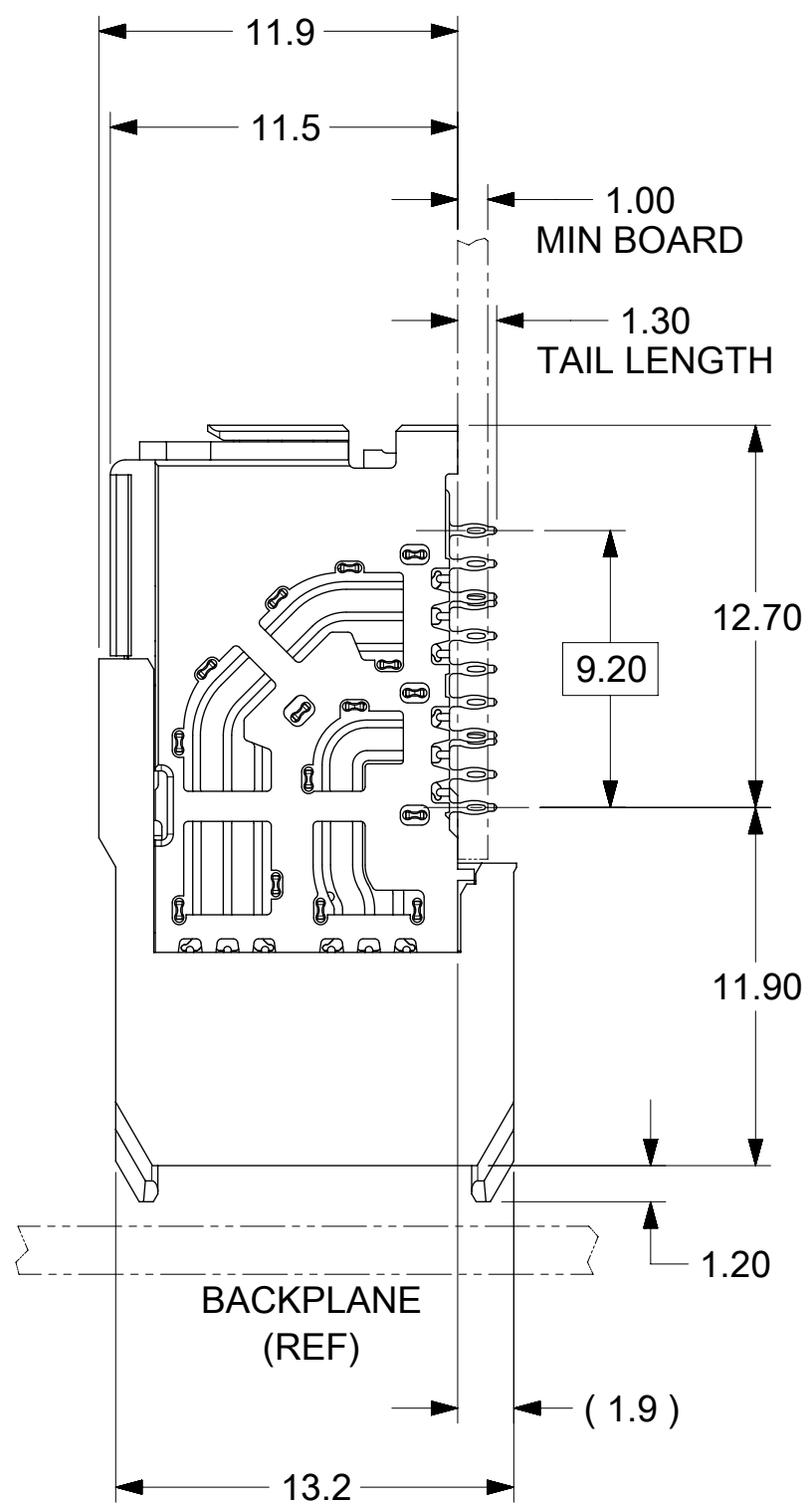
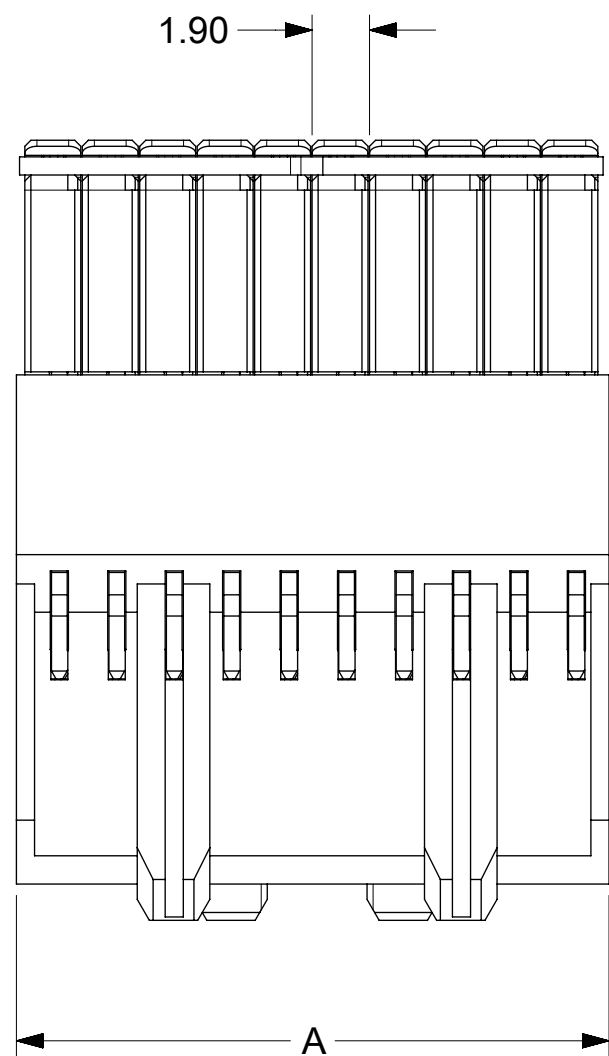


NOTES:

- MATERIALS: HOUSING - LIQUID CRYSTAL POLYMER (LCP)
GLASS-FILLED, UL94V-0
TERMINALS - HIGH PERFORMANCE COPPER ALLOY
- FINISH: 30uIN GOLD IN CONTACT AREA.
SELECTIVE TIN ON PCB TAILS.
NICKEL OVERALL.
- REFER TO MOLEX PRODUCT SPECIFICATION PS-171320-999 FOR PERFORMANCE SPECIFICATIONS.
- THIS PART CONFORMS TO CLASS B REQUIREMENTS OF MOLEX COSMETIC SPEC PS-45499-002.
- PRODUCT WILL BE PACKAGED PER PK-78888-313.
- SEE SHEET 2 FOR HOLE PATTERN DIMENSIONS.
- MATES WITH IMPEL BP SERIES NUMBER 171745.
- REFER TO IMPEL PCB ROUTING GUIDE AS-171320-990 FOR ANTIPAD, ROUTING RECOMMENDATIONS, AND ADDITIONAL PCB INFORMATION.
- WHEN STACKING MODULES END TO END, THE MINIMUM COLUMN TO COLUMN HOLE SPACING IS 2.65mm.



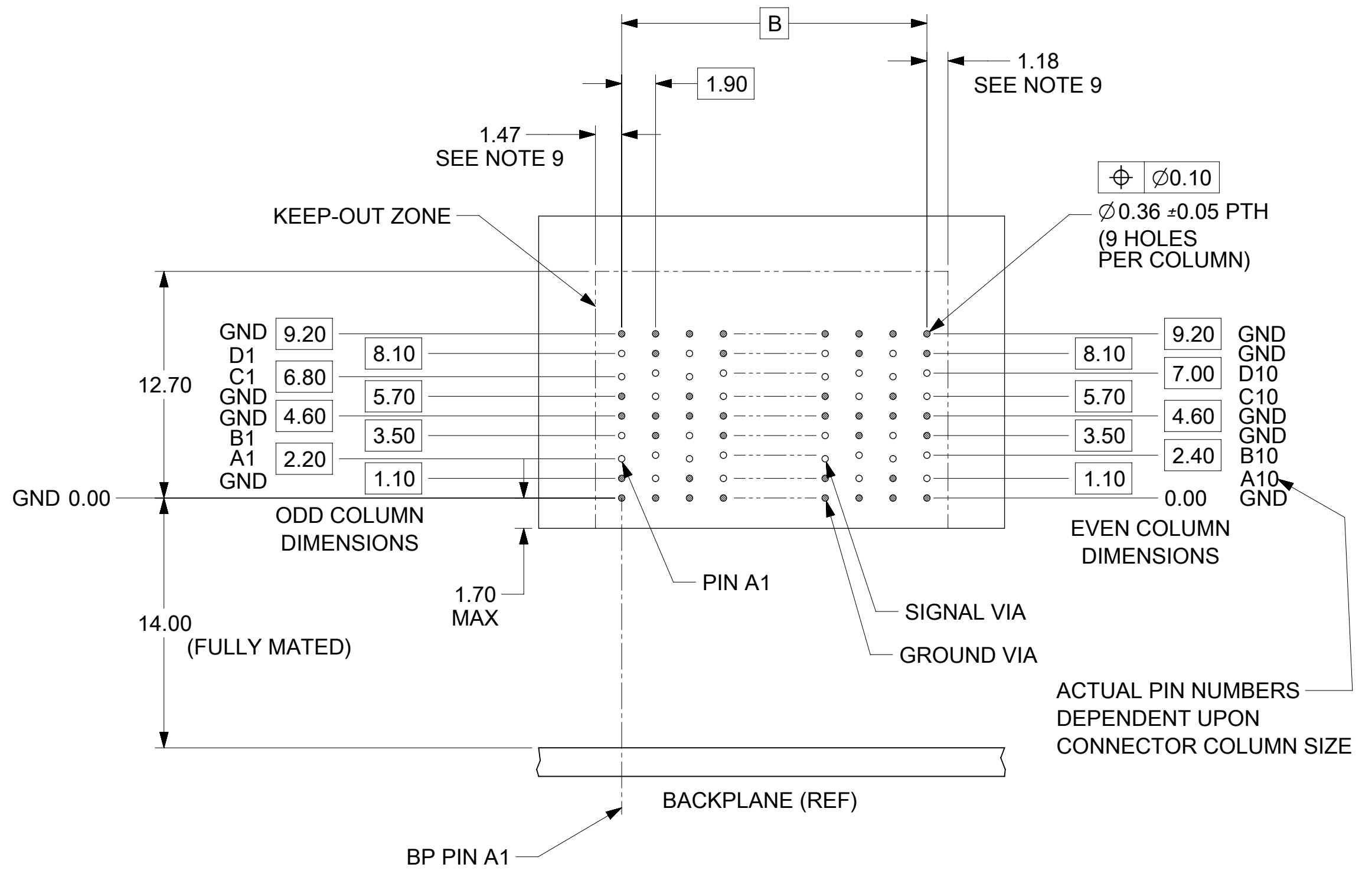
THIS DRAWING CONTAINS INFORMATION THAT IS PROPRIETARY TO MOLEX ELECTRONIC TECHNOLOGIES, LLC AND SHOULD NOT BE USED WITHOUT WRITTEN PERMISSION												
MIGRATED EC NO: 168431 DRWN: PKUMARG CHKD: CYLIAW REV / APPR: DWLE01	2017/07/25 2017/11/21 2017/12/27		GENERAL TOLERANCES (UNLESS SPECIFIED)			DIMENSION UNITS MM		SCALE 4:1				
	ANGULAR TOL ± 0.5 °		4 PLACES ±			DRWN BY JLAURX		DATE 2012/12/05				
	3 PLACES ±		2 PLACES ± 0.13			CHKD BY CYLIAW		DATE		IMPEL DAUGHTERCARD ASSY 2 PAIR - 1.9MM PITCH UNGUIDED SALES DRAWING		
	2 PLACES ± 0.25		1 PLACE ±			APPR BY JBINGHAM		DATE 2014/12/18				
	0 PLACES ±		DRAFT WHERE APPLICABLE MUST REMAIN WITHIN DIMENSIONS			DRAWING SIZE C		THIRD ANGLE PROJECTION		PRODUCT CUSTOMER DRAWING SERIES: 171750 MATERIAL NUMBER: SEE CHART CUSTOMER: GENERAL MARKET		
A2		A2			C		C		DOCUMENT NUMBER: SD-171750-0001 DOC TYPE: PSD DOC PART: 001 SHEET NUMBER: 1 OF 2			

MATERIAL NUMBER	NUMBER OF COLUMNS	NUMBER OF DIFF PAIR	DIM "A"	DIM "B"
171750-1038	8	16	15.95 MAX	13.30
171750-1020	10	20	19.75 MAX	17.10
171750-1022	12	24	23.55 MAX	20.90
171750-1024	14	28	27.35 MAX	24.70
171750-1026	16	32	31.15 MAX	28.50

171750-10**

MODULE TYPE
1 = UNGUIDED

COLUMN SIZE
38 = 8 COLUMN
20 = 10 COLUMN
22 = 12 COLUMN
24 = 14 COLUMN
26 = 16 COLUMN



DAUGHTERCARD HOLE PATTERN
(CONNECTOR SIDE)

THIS DRAWING CONTAINS INFORMATION THAT IS PROPRIETARY TO MOLEX ELECTRONIC TECHNOLOGIES, LLC AND SHOULD NOT BE USED WITHOUT WRITTEN PERMISSION

MIGRATED EC NO: 168431 DRWN: PKUMARG CHKD: CYLIAW REV / APPR: DWLE01	2017/07/25	2017/11/21	2017/12/27	GENERAL TOLERANCES (UNLESS SPECIFIED)	DIMENSION UNITS: MM	SCALE: 4:1	molex	
	ANGULAR TOL $\pm 0.5^\circ$			DRWN BY: JLAURX	DATE: 2012/12/05	IMPEL DAUGHTERCARD ASSY 2 PAIR - 1.9MM PITCH UNGUIDED SALES DRAWING		
	4 PLACES \pm			CHKD BY: CYLIAW	DATE:		PRODUCT CUSTOMER DRAWING	
	3 PLACES \pm			APPR BY: JBINGHAM	DATE: 2014/12/18	SERIES: 171750	MATERIAL NUMBER: SEE CHART	CUSTOMER: GENERAL MARKET
2 PLACES ± 0.13			DRAFT WHERE APPLICABLE MUST REMAIN WITHIN DIMENSIONS		DRAWING SIZE: C	THIRD ANGLE PROJECTION	DOCUMENT NUMBER: SD-171750-0001	
1 PLACE ± 0.25							DOC TYPE: PSD	
0 PLACES \pm							DOC PART: 001	
							SHEET NUMBER: 2 OF 2	