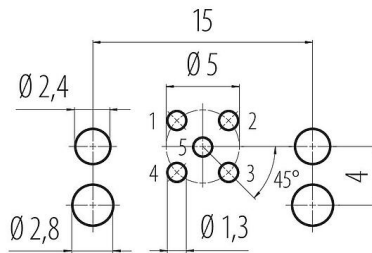


Product description **M12 Female angled panel mount connector, Contacts: 5, unshielded, THR, IP68, UL, for PCB assembly**
Area **series 763**
Part no. **99 3442 202 05**

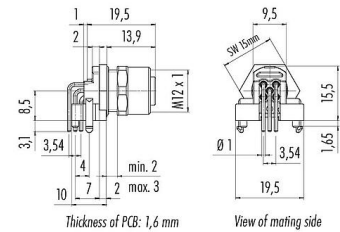
Illustration



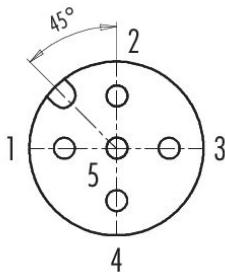
Conductor layout



Scale drawing



Contact arrangement (Plug-in side)



You can find the assembly instructions on the next page.

Technical data

General features

Part no.	99 3442 202 05
Connector design	Female angled panel mount connector
Type standard	DIN EN 61076-2-101
Version	Connector socket angled
Connector locking system	screw
Termination	THR
Degree of protection	IP68

Product description	M12 Female angled panel mount connector, Contacts: 5, unshielded, THR, IP68, UL, for PCB assembly
Area	series 763
Part no.	99 3442 202 05

Temperature range from/to	-40 °C / 85 °C
Mechanical operation	> 100 Mating cycles
Weight (g)	11.01
Customs tariff number	85369010
Country of Origin	DE

Electrical parameters

Rated voltage	60 V
Rated impulse voltage	1500 V
Rated current	4 A (3 A UL)
Insulation resistance	> 10 ⁸ Ω
Pollution degree	3
Insulating material group	III
EMC compliance	unshielded

Material

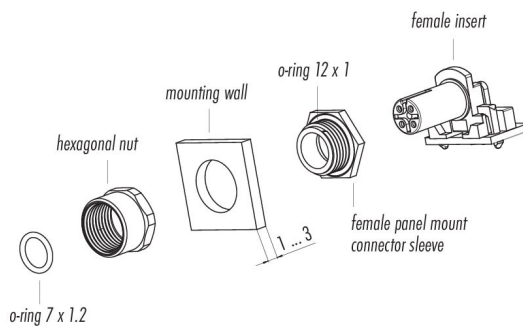
Housing material	CuZn (Brass nickel plated)
Contact body material	PA
Contact material	CuSn (bronze)
Contact plating	Au (gold)
Locking material	CuZn (brass)
REACH SVHC	CAS 7439-92-1 (Lead)
SCIP number	084e6db1-5330-4bc7-b242-55debb831d35

Authorization/approvals

Approvals	UL
-----------	----

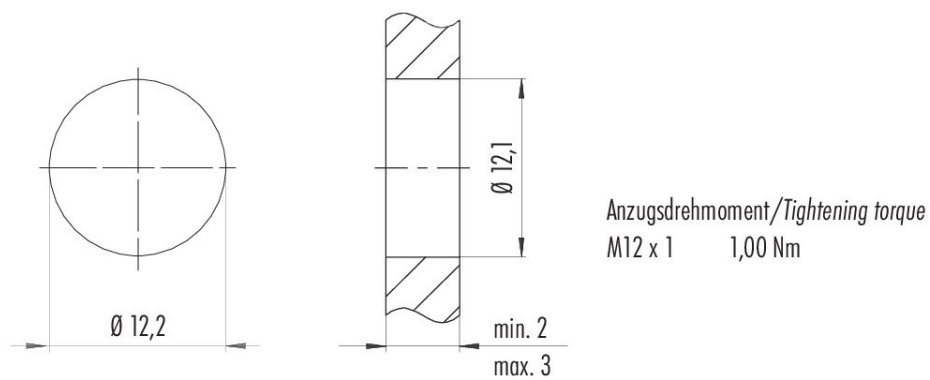
Assembly instructions

1. Fit the o-ring 12 x 1 onto the female panel mount connector sleeve and push it into the groove.
2. Push female panel mount connector sleeve through mounting wall.
3. Put on the nut and tighten it. Pay attention to the alignment of the female panel mount connector sleeve.
4. Insert the female insert into the female panel mount connector sleeve.
5. Thread the o-ring 7 x 1.2 onto the female insert and push it with a suitable tool in the direction of the stop surface of the female panel mount connector sleeve.



Product description	M12 Female angled panel mount connector, Contacts: 5, unshielded, THR, IP68, UL, for PCB assembly
Area	series 763
Part no.	99 3442 202 05

Assembly instructions / Panel cut-out



Product description	M12 Female angled panel mount connector, Contacts: 5, unshielded, THR, IP68, UL, for PCB assembly
Area	series 763
Part no.	99 3442 202 05

Security notices

The connector must not be plugged or unplugged under load. Non-observance and improper use can result in personal injury.

The connectors have been developed for applications in plant engineering, control and electrical equipment construction. The user is responsible for checking whether the connectors can also be used in other areas of application.

To protect against unintentional opening of the connector, the thread between the housing and the connector head must be secured with a suitable cyanoacrylate adhesive when used in circuits with voltages dangerous to the touch. This does not apply to connectors used in SELV and PELV circuits according to IEC 61140 (EN 61140, VDE 0140-1).

Connectors which are used in circuits with voltages dangerous to the touch may only be installed and used by, or under the supervision of, persons with electrical engineering training, taking into account the applicable regulations and standards.

The user must take suitable safety precautions to ensure that the connector cannot be accidentally disconnected.

Plug connectors with enclosure protection IP67 and IP68 are not suitable for use under water. When used outdoors, the plug connectors must be protected separately against corrosion. For further information on the IP protection classes, please refer to the "Technical Information" download centre.

To lock the cable connector with the device connector, the threaded ring is tightened "hand-tight" (approx. 60 cNm).

The user must take appropriate safety precautions to ensure that the connector cannot be accidentally disconnected. In addition, the user must ensure that the cable is suitably secured.